

FLSS 4" DEFLECTION ISOLATOR

IP UNITS (INCHES AND POUNDS)

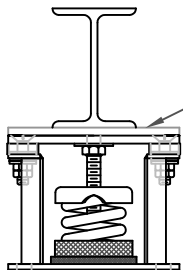
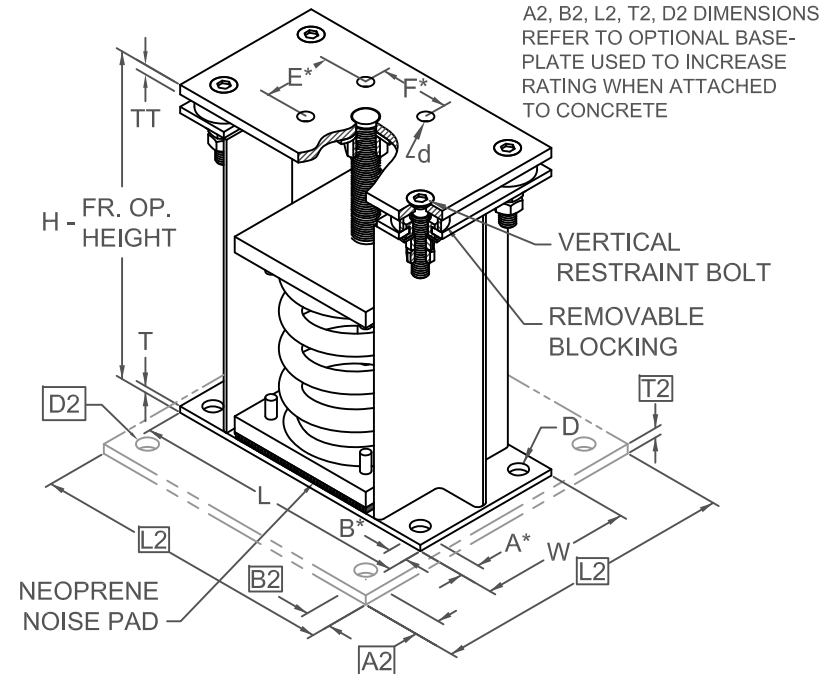
| TYPE | L | W | T | A | B | D | E | F | d | H | TT |
|-------------|-------|------|------|------|------|------|------|------|------|-------|------|
| 4-2250/5800 | 16.25 | 8.00 | 0.50 | 1.00 | 1.00 | 0.69 | 5.50 | 5.50 | 0.69 | 15.00 | 0.50 |

*ALL MOUNTING BOLT PATTERNS SYMMETRICAL ABOUT ISOLATOR CENTER-LINE

| STANDARD RATINGS | | SPRING COIL | | | | | |
|------------------|--------|-------------|--------|-------|------|-------|-------|
| | | COLOR | | FREE | | RATED | |
| TYPE | SIZE | OUTER | INNER | HT. | O.D. | LOAD | DEFL. |
| FLSS | 4-2250 | BEIGE | | 11.50 | 8.00 | 2250 | 4.00 |
| FLSS | 4-2500 | BEIGE | BLUE | 11.50 | 8.00 | 2500 | 4.00 |
| FLSS | 4-2750 | BEIGE | GREEN | 11.50 | 8.00 | 2750 | 4.00 |
| FLSS | 4-3000 | BEIGE | BLACK | 11.50 | 8.00 | 3000 | 4.00 |
| FLSS | 4-3250 | BEIGE | RED | 11.50 | 8.00 | 3250 | 4.00 |
| FLSS | 4-3500 | BEIGE | BROWN | 11.50 | 8.00 | 3500 | 4.00 |
| FLSS | 4-3850 | BEIGE | ORANGE | 11.50 | 8.00 | 3850 | 4.00 |
| FLSS | 4-4200 | CHROME | | 11.50 | 8.00 | 4200 | 4.00 |
| FLSS | 4-4450 | CHROME | BLUE | 11.50 | 8.00 | 4450 | 4.00 |
| FLSS | 4-4700 | CHROME | GREEN | 11.50 | 8.00 | 4700 | 4.00 |
| FLSS | 4-4950 | CHROME | BLACK | 11.50 | 8.00 | 4950 | 4.00 |
| FLSS | 4-5200 | CHROME | RED | 11.50 | 8.00 | 5200 | 4.00 |
| FLSS | 4-5450 | CHROME | BROWN | 11.50 | 8.00 | 5450 | 4.00 |
| FLSS | 4-5800 | CHROME | ORANGE | 11.50 | 8.00 | 5800 | 4.00 |

4-2250/5800 REQUIRES 0.62 DIA. x 4.00 MIN. EMBED ANCHORS IN CONCRETE

(ALLOWABLE LOADS BASED ON 3000 PSI MIN CONCRETE)

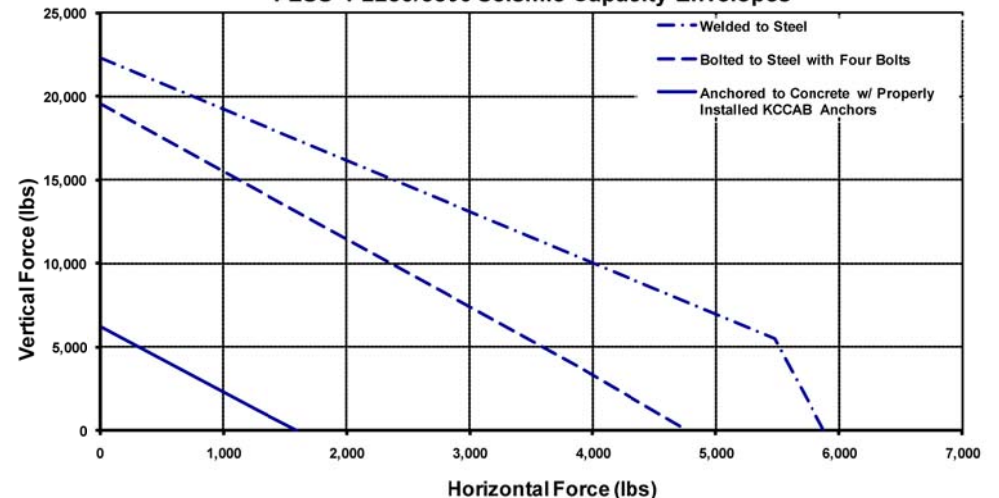


IF EQUIP SUPPORT STEEL IS 90° TO THE LONG ISOLATOR AXIS, AN ADD'L PLATE EQUAL IN THICKNESS TO THE TOP PLATE IS REQUIRED

SPECIFICATIONS:

- VERTICALLY AND Laterally RESTRAINED SPRING ISOLATOR WITH CONSTANT FREE AND OPERATING HEIGHT AND REPLACEABLE NEOPRENE SNUBBING ELEMENTS.
- WHEN PROPERLY ADJUSTED, MAX. CLEARANCE IN SNUBBING ELEMENTS IS LIMITED TO 0.25 INCHES.
- MINIMUM COIL OVERLOAD OF 50%.
- MINIMUM K_x/K_y RATIO OF 1.0.
- ALL ELEMENTS SAFE AT SOLID LOADING.
- POWDER COATED COILS AND HOT DIPPED GALVANIZED BRACKET.
- HOUSINGS MAY BE USED FOR BLOCKING DURING EQUIPMENT ERECTION.

FLSS-4-2250/5800 Seismic Capacity Envelopes



Computed horizontal and vertical seismic load combinations must fall within the restraint capacity envelope



KINETICS NOISE CONTROL, INC
6300 IRELAN PL,
DUBLIN, OH 43017 USA
Ph: 614 889-0480, Fax: 614 889-0540
www.kineticsnoise.com

Model:
FLSS-4-2250/5800

By: JMJ
Date: 07/15/02
Revised: 09/17/10 / BB

Drawing No:
S-01.22-42S