

FLSS 102 mm DEFLECTION ISOLATOR

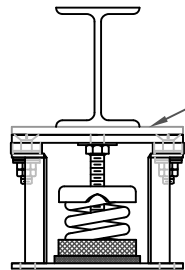
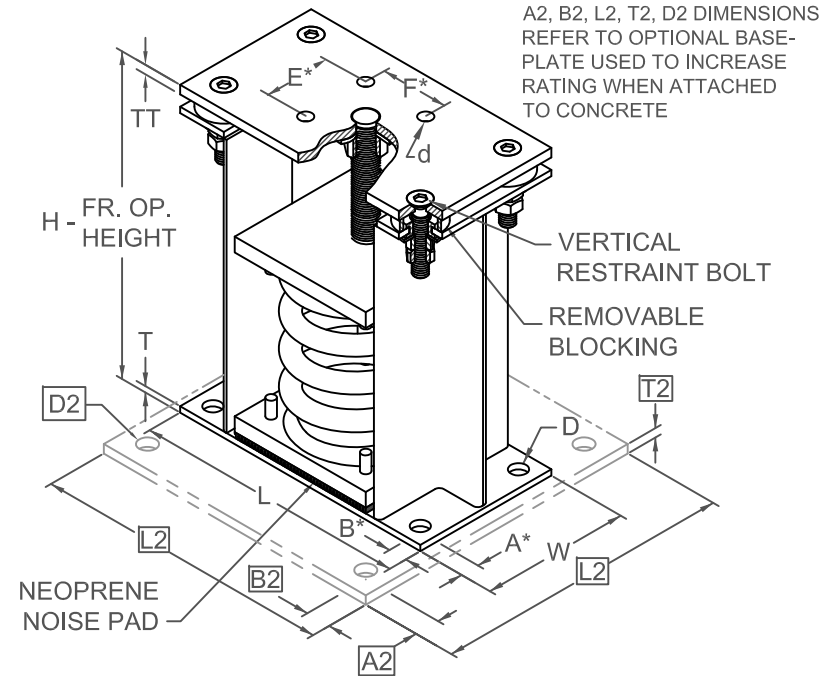
S-I UNITS (mm AND kg)

TYPE	L	W	T	A	B	D	E	F	d	H	TT
4-2250/5800	413	203	13	25	25	17	140	140	17	381	13

*ALL MOUNTING BOLT PATTERNS SYMMETRICAL ABOUT ISOLATOR CENTER-LINE

STANDARD RATINGS		SPRING COIL					
TYPE	SIZE	COLOR		FREE HT.	O.D.	RATED	
		OUTER	INNER			LOAD	DEFL.
FLSS	4-2250	BEIGE		292	203	1021	102
FLSS	4-2500	BEIGE	BLUE	292	203	1134	102
FLSS	4-2750	BEIGE	GREEN	292	203	1247	102
FLSS	4-3000	BEIGE	BLACK	292	203	1361	102
FLSS	4-3250	BEIGE	RED	292	203	1474	102
FLSS	4-3500	BEIGE	BROWN	292	203	1588	102
FLSS	4-3850	BEIGE	ORANGE	292	203	1746	102
FLSS	4-4200	CHROME		292	203	1905	102
FLSS	4-4450	CHROME	BLUE	292	203	2018	102
FLSS	4-4700	CHROME	GREEN	292	203	2132	102
FLSS	4-4950	CHROME	BLACK	292	203	2245	102
FLSS	4-5200	CHROME	RED	292	203	2359	102
FLSS	4-5450	CHROME	BROWN	292	203	2472	102
FLSS	4-5800	CHROME	ORANGE	292	203	2631	102

4-2250/5800 REQUIRES 016 DIA. x 102 MIN. EMBED ANCHORS IN CONCRETE
(ALLOWABLE LOADS BASED ON 21 MPa MIN. CONCRETE)

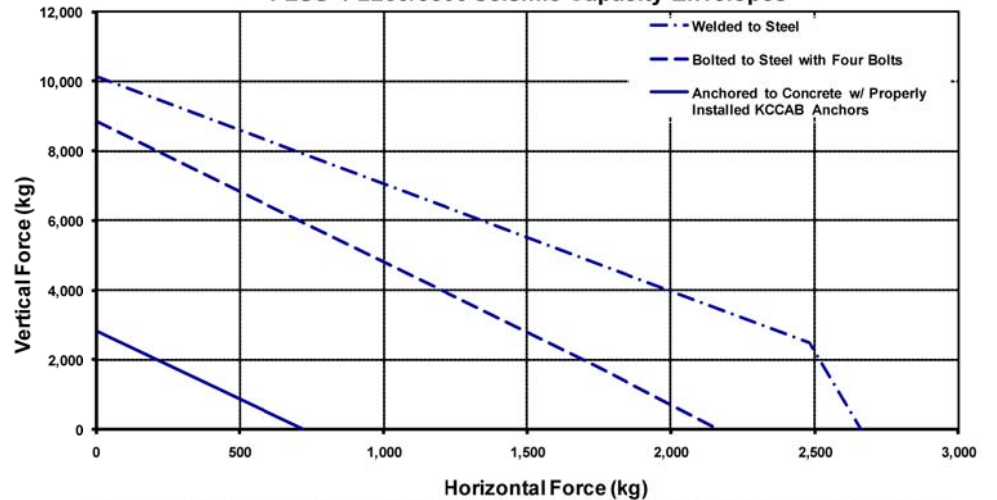


IF EQUIP SUPPORT STEEL IS 90° TO THE LONG ISOLATOR AXIS, AN ADD'L PLATE EQUAL IN THICKNESS TO THE TOP PLATE IS REQUIRED

SPECIFICATIONS:

- VERTICALLY AND Laterally RESTRAINED SPRING ISOLATOR WITH CONSTANT FREE AND OPERATING HEIGHT AND REPLACEABLE NEOPRENE SNUBBING ELEMENTS.
- WHEN PROPERLY ADJUSTED, MAX. CLEARANCE IN SNUBBING ELEMENTS IS LIMITED TO 0.25 INCHES.
- MINIMUM COIL OVERLOAD OF 50%.
- MINIMUM Kx/Ky RATIO OF 1.0.
- ALL ELEMENTS SAFE AT SOLID LOADING.
- POWDER COATED COILS AND HOT DIPPED GALVANIZED BRACKET.
- HOUSINGS MAY BE USED FOR BLOCKING DURING EQUIPMENT ERECTION.

FLSS-4-2250/5800 Seismic Capacity Envelopes



Computed horizontal and vertical seismic load combinations must fall within the restraint capacity envelope



KINETICS NOISE CONTROL, INC
6300 IRELAN PL,
DUBLIN, OH 43017 USA
Ph: 614 889-0480, Fax: 614 889-0540
www.kineticsnoise.com

Model:
FLSS-4-2250/5800

By: JMJ
Date: 07/15/02
Revised: 09/17/10 / BB

Drawing No:
S-01.22-42S METRIC