

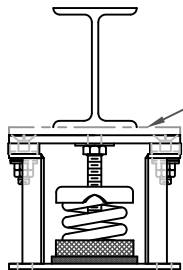
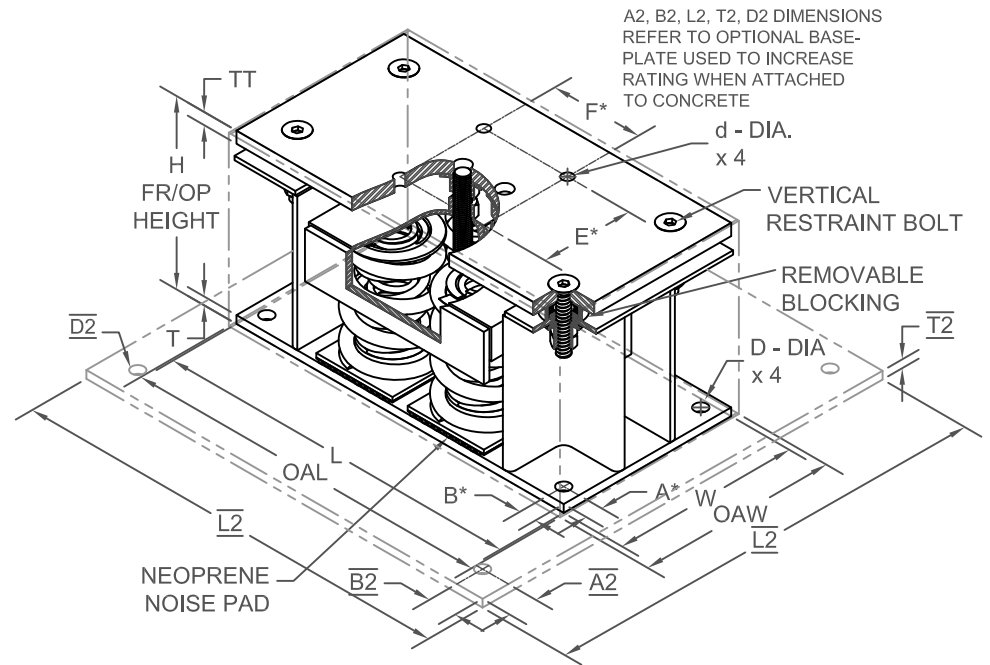
FLSS 2" DEFLECTION ISOLATOR
IP UNITS (INCHES AND POUNDS)

TYPE	L	W	T	A	B	D	E	F	d	H	OAL	OAW	TT
2-8000/18000	21.50	11.00	0.50	1.00	1.00	0.81	5.50	5.50	0.69	11.00	21.75	11.75	0.75

*ALL MOUNTING BOLT PATTERNS SYMMETRICAL ABOUT ISOLATOR CENTER-LINE

STANDARD RATINGS	TYPE	SIZE	SPRING COIL				RATED		
			COLOR		FREE		LOAD	DEFL.	
			OUTER	INNER1	INNER2	HT.	O.D.		
FLSS	2-8000	ORANGE				7.00	5.00	8000	2.00
FLSS	2-10000	BLUE				7.00	5.00	10000	2.00
FLSS	2-11000	BLUE	BLUE			7.00	5.00	11000	2.00
FLSS	2-12100	BLUE	GREEN			7.00	5.00	12100	2.02
FLSS	2-13000	BLUE	BLACK			7.00	5.00	13000	2.00
FLSS	2-14000	BLUE	ORANGE			7.00	5.00	14000	2.00
FLSS	2-15600	BLUE	ORANGE	GREEN		7.00	5.00	15600	2.00
FLSS	2-16400	BLUE	RED			7.00	5.00	16400	2.00
FLSS	2-18000	BLUE	RED	GREEN		7.00	5.00	18000	2.00

2-8000/18000 REQUIRES 0.75 DIA. x 4.75 MIN. EMBED ANCHORS IN CONCRETE
(ALLOWABLE LOADS BASED ON 3000 PSI MIN CONCRETE)
2-8000/18000 ANCHOR BOLT TORQUE - 150 FT-LB, PULL TEST - 3625 LB

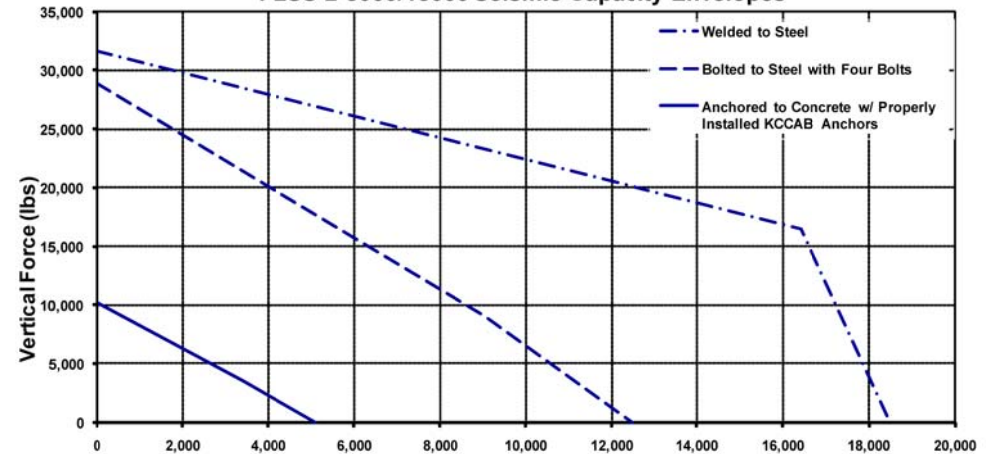


IF EQUIP SUPPORT STEEL IS 90° TO THE LONG ISOLATOR AXIS, AN ADD'L PLATE EQUAL IN THICKNESS TO THE TOP PLATE IS REQUIRED

SPECIFICATIONS:

- VERTICALLY AND Laterally RESTRAINED SPRING ISOLATOR WITH CONSTANT FREE AND OPERATING HEIGHT AND REPLACEABLE NEOPRENE SNUBBING ELEMENTS.
- WHEN PROPERLY ADJUSTED, MAX. CLEARANCE IN SNUBBING ELEMENTS IS LIMITED TO 0.25 INCHES.
- MINIMUM COIL OVERLOAD OF 50%.
- MINIMUM K_x/K_y RATIO OF 1.0.
- ALL ELEMENTS SAFE AT SOLID LOADING.
- POWDER COATED COILS AND HOT DIPPED GALVANIZED BRACKET.
- HOUSINGS MAY BE USED FOR BLOCKING DURING EQUIPMENT ERECTION.

FLSS-2-8000/18000 Seismic Capacity Envelopes



Computed horizontal and vertical seismic load combinations must fall within the restraint capacity envelope



KINETICS NOISE CONTROL, INC
6300 IRELAN PL,
DUBLIN, OH 43017 USA
Ph: 614 889-0480, Fax: 614 889-0540
www.kineticsnoise.com

Model:
FLSS-2-
8000/18000

By: JMJ
Date: 07/15/02
Revised: 09/17/10 / BB

Drawing No:
S-01.22-24S