

# FLSS 2" DEFLECTION ISOLATOR

IP UNITS (INCHES AND POUNDS)

| TYPE        | L     | W    | T    | A    | B    | D    | E    | F    | d    | H     | TT   |
|-------------|-------|------|------|------|------|------|------|------|------|-------|------|
| 2-4000/9000 | 17.50 | 6.00 | 0.50 | 0.75 | 0.75 | 0.69 | 2.75 | 2.75 | 0.56 | 10.13 | 0.63 |

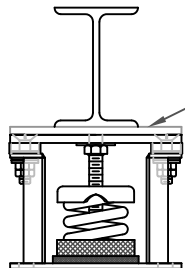
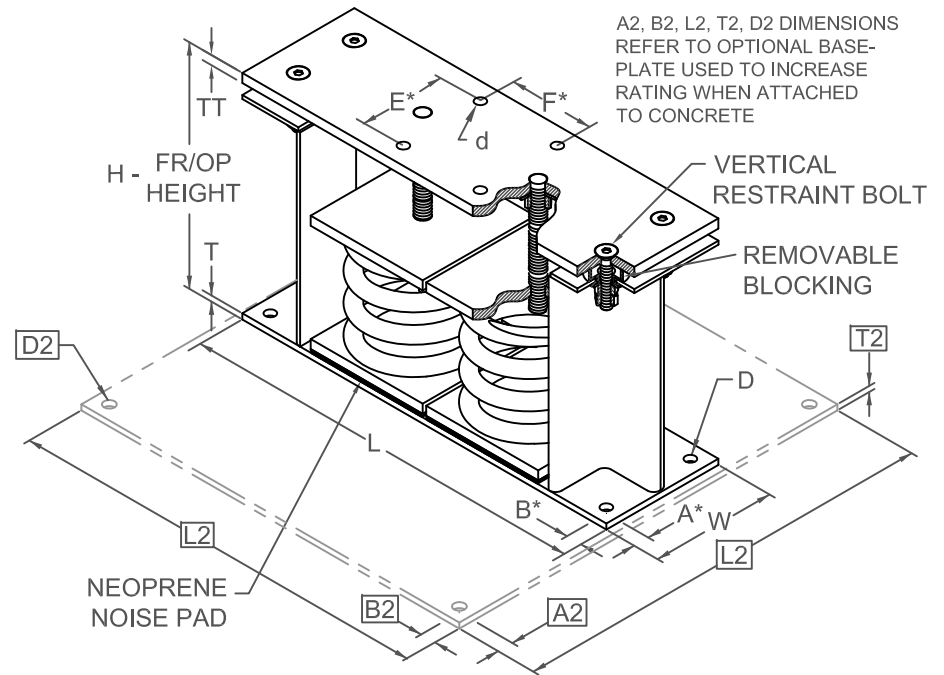
\*ALL MOUNTING BOLT PATTERNS SYMMETRICAL ABOUT ISOLATOR CENTER-LINE

| STANDARD RATINGS |        | SPRING COIL |        |        |      |      |       |      |       |
|------------------|--------|-------------|--------|--------|------|------|-------|------|-------|
| TYPE             | SIZE   | COLOR       |        |        | FREE |      | RATED |      | DEFL. |
|                  |        | OUTER       | INNER1 | INNER2 | HT.  | O.D. | LOAD  | LOAD |       |
| FLSS             | 2-4000 | ORANGE      |        |        | 7.00 | 5.00 | 4000  | 2.00 |       |
| FLSS             | 2-5000 | BLUE        |        |        | 7.00 | 5.00 | 5000  | 2.00 |       |
| FLSS             | 2-5500 | BLUE        | BLUE   |        | 7.00 | 5.00 | 5500  | 2.00 |       |
| FLSS             | 2-6000 | BLUE        | GREEN  |        | 7.00 | 5.00 | 6000  | 2.00 |       |
| FLSS             | 2-6500 | BLUE        | BLACK  |        | 7.00 | 5.00 | 6500  | 2.00 |       |
| FLSS             | 2-7000 | BLUE        | ORANGE |        | 7.00 | 5.00 | 7000  | 2.00 |       |
| FLSS             | 2-7800 | BLUE        | ORANGE | GREEN  | 7.00 | 5.00 | 7800  | 2.00 |       |
| FLSS             | 2-8200 | BLUE        | RED    |        | 7.00 | 5.00 | 8200  | 2.00 |       |
| FLSS             | 2-9000 | BLUE        | RED    | GREEN  | 7.00 | 5.00 | 9000  | 2.00 |       |

2-4000/9000 REQUIRES 0.62 DIA. x 4.00 MIN. EMBED ANCHORS IN CONCRETE

(ALLOWABLE LOADS BASED ON 3000 PSI MIN CONCRETE)

2-4000/9000 ANCHOR BOLT TORQUE - 75 FT-LB, PULL TEST - 2670 LB

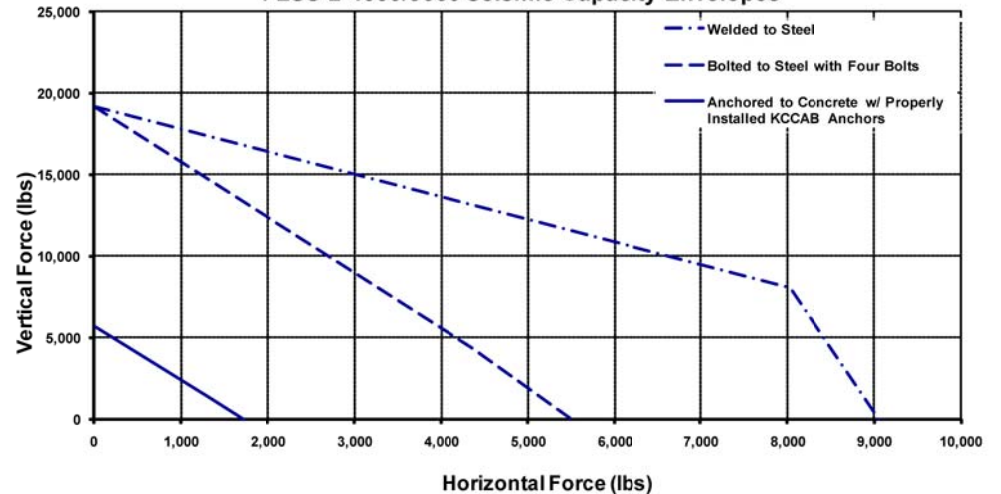


IF EQUIP SUPPORT STEEL IS 90° TO THE LONG ISOLATOR AXIS, AN ADD'L PLATE EQUAL IN THICKNESS TO THE TOP PLATE IS REQUIRED

## SPECIFICATIONS:

- VERTICALLY AND Laterally RESTRAINED SPRING ISOLATOR WITH CONSTANT FREE AND OPERATING HEIGHT AND REPLACEABLE NEOPRENE SNUBBING ELEMENTS.
- WHEN PROPERLY ADJUSTED, MAX. CLEARANCE IN SNUBBING ELEMENTS IS LIMITED TO 0.25 INCHES.
- MINIMUM COIL OVERLOAD OF 50%.
- MINIMUM Kx/Ky RATIO OF 1.0.
- ALL ELEMENTS SAFE AT SOLID LOADING.
- POWDER COATED COILS AND HOT DIPPED GALVANIZED BRACKET.
- HOUSINGS MAY BE USED FOR BLOCKING DURING EQUIPMENT ERECTION.

### FLSS-2-4000/9000 Seismic Capacity Envelopes



Computed horizontal and vertical seismic load combinations must fall within the restraint capacity envelope



KINETICS NOISE CONTROL, INC  
6300 IRELAN PL,  
DUBLIN, OH 43017 USA  
Ph: 614 889-0480, Fax: 614 889-0540  
www.kineticsnoise.com

Model:  
FLSS-2-  
4000/9000

By: JMJ  
Date: 07/12/02  
Revised: 09/17/10 / BB

Drawing No:  
S-01.22-23S