

# FLSS 51 mm DEFLECTION ISOLATOR

S-I UNITS (mm AND kg)

TYPE	L	W	T	A	B	D	E	F	d	H	TT
2-4000/9000	445	152	13	19	19	17	70	70	14	257	16

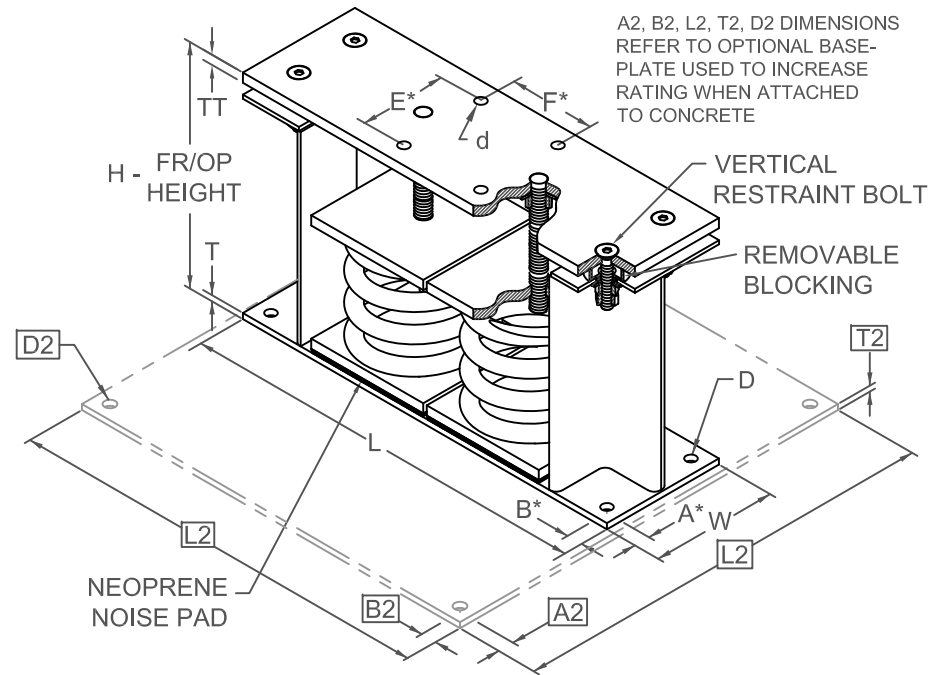
\*ALL MOUNTING BOLT PATTERNS SYMMETRICAL ABOUT ISOLATOR CENTER-LINE

STANDARD RATINGS		SPRING COIL							
TYPE	SIZE	COLOR			FREE		RATED		DEFL.
		OUTER	INNER1	INNER2	HT.	O.D.	LOAD	LOAD	
FLSS	2-4000	ORANGE			178	127	1814	51	
FLSS	2-5000	BLUE			178	127	2268	51	
FLSS	2-5500	BLUE	BLUE		178	127	2495	51	
FLSS	2-6000	BLUE	GREEN		178	127	2722	51	
FLSS	2-6500	BLUE	BLACK		178	127	2948	51	
FLSS	2-7000	BLUE	ORANGE		178	127	3175	51	
FLSS	2-7800	BLUE	ORANGE	GREEN	178	127	3538	51	
FLSS	2-8200	BLUE	RED		178	127	3719	51	
FLSS	2-9000	BLUE	RED	GREEN	178	127	4082	51	

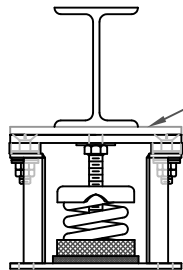
2-4000/9000 REQUIRES 016 DIA. x 102 MIN. EMBED ANCHORS IN CONCRETE

(ALLOWABLE LOADS BASED ON 21 MPa MIN CONCRETE)

2-4000/9000 ANCHOR BOLT TORQUE - 102 N-M, PULL TEST - 1211 kg



A2, B2, L2, T2, D2 DIMENSIONS REFER TO OPTIONAL BASE-PLATE USED TO INCREASE RATING WHEN ATTACHED TO CONCRETE

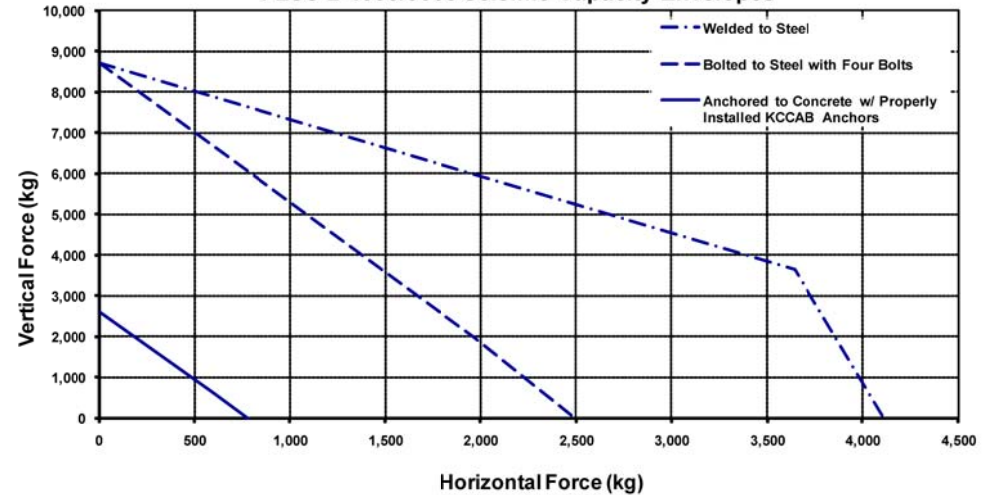


IF EQUIP SUPPORT STEEL IS 90° TO THE LONG ISOLATOR AXIS, AN ADD'L PLATE EQUAL IN THICKNESS TO THE TOP PLATE IS REQUIRED

## SPECIFICATIONS:

- VERTICALLY AND Laterally RESTRAINED SPRING ISOLATOR WITH CONSTANT FREE AND OPERATING HEIGHT AND REPLACEABLE NEOPRENE SNUBBING ELEMENTS.
- WHEN PROPERLY ADJUSTED, MAX. CLEARANCE IN SNUBBING ELEMENTS IS LIMITED TO 0.25 INCHES.
- MINIMUM COIL OVERLOAD OF 50%.
- MINIMUM Kx/Ky RATIO OF 1.0.
- ALL ELEMENTS SAFE AT SOLID LOADING.
- POWDER COATED COILS AND HOT DIPPED GALVANIZED BRACKET.
- HOUSINGS MAY BE USED FOR BLOCKING DURING EQUIPMENT ERECTION.

### FLSS-2-4000/9000 Seismic Capacity Envelopes



Computed horizontal and vertical seismic load combinations must fall within the restraint capacity envelope



KINETICS NOISE CONTROL, INC  
6300 IRELAN PL,  
DUBLIN, OH 43017 USA  
Ph: 614 889-0480, Fax: 614 889-0540  
www.kineticsnoise.com

Model:  
**FLSS-2-4000/9000**

By: JMJ  
Date: 07/12/02  
Revised: 09/17/10 / BB

Drawing No:  
**S-01.22-23S METRIC**