

FLSS 2" DEFLECTION ISOLATOR

IP UNITS (INCHES AND POUNDS)

TYPE	L	W	T	A	B	D	E	F	d	H	TT
2-2000/4500	11.00	5.00	0.31	0.75	0.75	0.69	2.75	2.75	0.56	10.00	0.38

*ALL MOUNTING BOLT PATTERNS SYMETRICAL ABOUT ISOLATOR CENTER-LINE

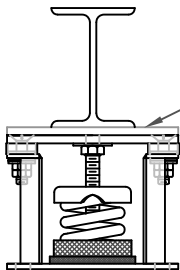
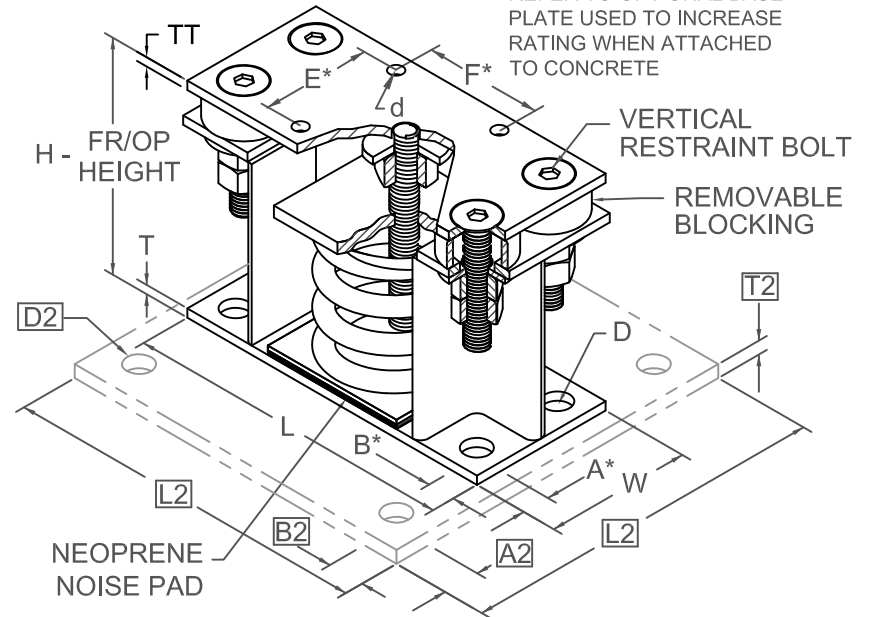
A2, B2, L2, T2, D2 DIMENSIONS REFER TO OPTIONAL BASE-PLATE USED TO INCREASE RATING WHEN ATTACHED TO CONCRETE

STANDARD RATINGS		SPRING COIL							
TYPE	SIZE	COLOR			FREE		RATED		DEFL.
		OUTER	INNER1	INNER2	HT.	O.D.	LOAD	LOAD	
FLSS	2-2000	ORANGE			7.00	5.00	2000	2.00	
FLSS	2-2500	BLUE			7.00	5.00	2500	2.00	
FLSS	2-2750	BLUE	BLUE		7.00	5.00	2750	2.00	
FLSS	2-3025	BLUE	GREEN		7.00	5.00	3025	2.02	
FLSS	2-3250	BLUE	BLACK		7.00	5.00	3250	2.00	
FLSS	2-3500	BLUE	ORANGE		7.00	5.00	3500	2.00	
FLSS	2-3900	BLUE	ORANGE	GREEN	7.00	5.00	3900	2.00	
FLSS	2-4100	BLUE	RED		7.00	5.00	4100	2.00	
FLSS	2-4500	BLUE	RED	GREEN	7.00	5.00	4500	2.00	

2-2000/4500 REQUIRES 0.62 DIA. x 4.00 MIN. EMBED ANCHORS IN CONCRETE

(ALLOWABLE LOADS BASED ON 3000 PSI MIN CONCRETE)

2-2000/4500 ANCHOR BOLT TORQUE - 75 FT-LB, PULL TEST - 2670 LB

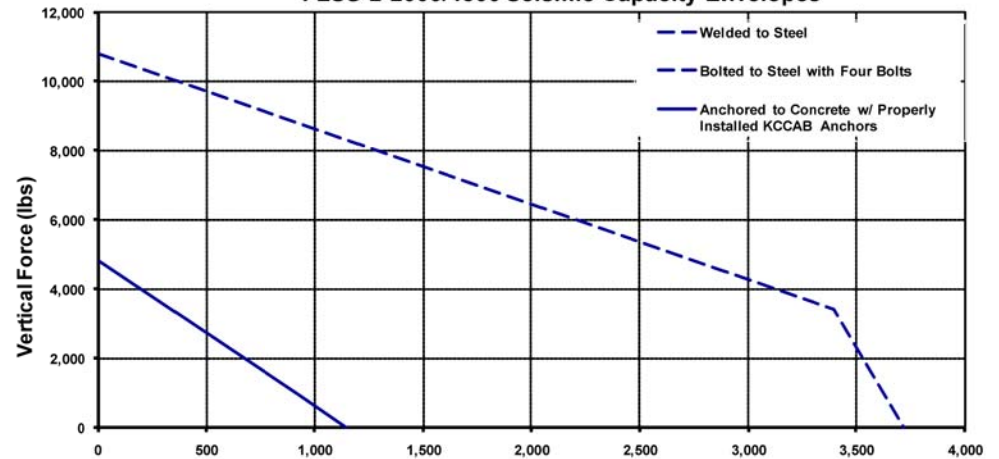


IF EQUIP SUPPORT STEEL IS 90° TO THE LONG ISOLATOR AXIS, AN ADD'L PLATE EQUAL IN THICKNESS TO THE TOP PLATE IS REQUIRED

SPECIFICATIONS:

- VERTICALLY AND Laterally RESTRAINED SPRING ISOLATOR WITH CONSTANT FREE AND OPERATING HEIGHT AND REPLACEABLE NEOPRENE SNUBBING ELEMENTS.
- WHEN PROPERLY ADJUSTED, MAX. CLEARANCE IN SNUBBING ELEMENTS IS LIMITED TO 0.25 INCHES.
- MINIMUM COIL OVERLOAD OF 50%.
- MINIMUM Kx/Ky RATIO OF 1.0.
- ALL ELEMENTS SAFE AT SOLID LOADING.
- POWDER COATED COILS AND HOT DIPPED GALVANIZED BRACKET.
- HOUSINGS MAY BE USED FOR BLOCKING DURING EQUIPMENT ERECTION.

FLSS-2-2000/4500 Seismic Capacity Envelopes



Computed horizontal and vertical seismic load combinations must fall within the restraint capacity envelope



KINETICS NOISE CONTROL, INC
6300 IRELAN PL,
DUBLIN, OH 43017 USA
Ph: 614 889-0480, Fax: 614 889-0540
www.kineticsnoise.com

Model:
FLSS-2-
2000/4500

By: JMJ
Date: 07/12/02
Revised: 09/17/10 / BB

Drawing No:
S-01.22-22S