

FLSS 51 mm DEFLECTION ISOLATOR

S-I UNITS (mm AND kg)

TYPE	L	W	T	A	B	D	E	F	d	H	TT
2-2000/4500	279	127	8	19	19	17	70	70	14	254	10

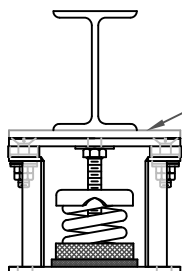
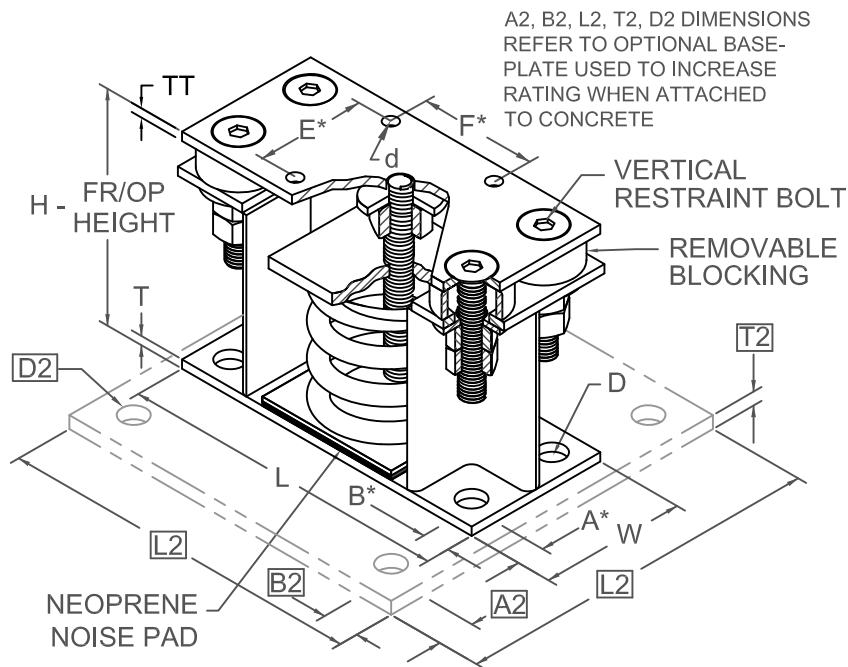
*ALL MOUNTING BOLT PATTERNS SYMMETRICAL ABOUT ISOLATOR CENTER-LINE

STANDARD RATINGS		SPRING COIL						
TYPE	SIZE	COLOR			FREE HT.	O.D.	RATED	
		OUTER	INNER1	INNER2			LOAD	DEFL.
FLSS	2-2000	ORANGE			178	127	907	51
FLSS	2-2500	BLUE			178	127	1134	51
FLSS	2-2750	BLUE	BLUE		178	127	1247	51
FLSS	2-3025	BLUE	GREEN		178	127	1372	51
FLSS	2-3250	BLUE	BLACK		178	127	1474	51
FLSS	2-3500	BLUE	ORANGE		178	127	1588	51
FLSS	2-3900	BLUE	ORANGE	GREEN	178	127	1769	51
FLSS	2-4100	BLUE	RED		178	127	1860	51
FLSS	2-4500	BLUE	RED	GREEN	178	127	2041	51

2-2000/4500 REQUIRES 016 DIA. x 102 MIN. EMBED ANCHORS IN CONCRETE

(ALLOWABLE LOADS BASED ON 21 MPa MIN CONCRETE)

2-2000/4500 ANCHOR BOLT TORQUE - 102 N-M, PULL TEST - 1211 kg

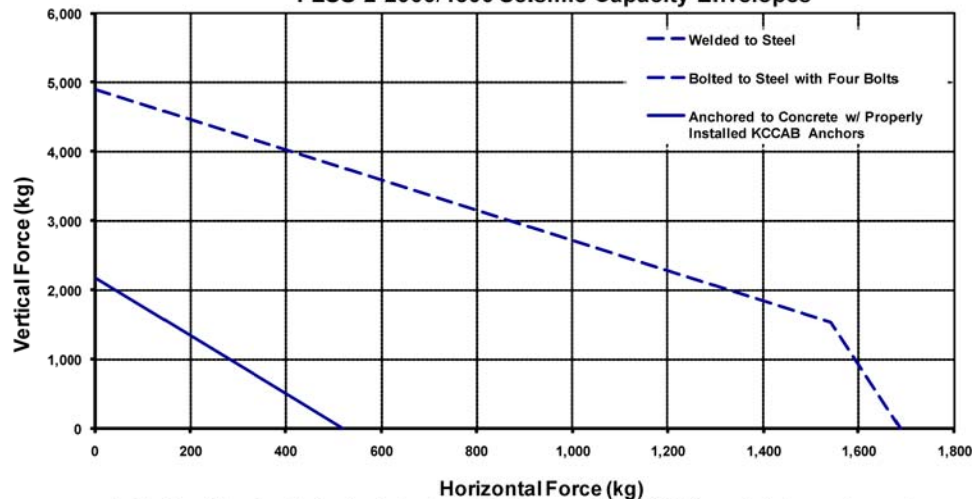


IF EQUIP SUPPORT STEEL IS 90° TO THE LONG ISOLATOR AXIS, AN ADD'L PLATE EQUAL IN THICKNESS TO THE TOP PLATE IS REQUIRED

SPECIFICATIONS:

- VERTICALLY AND Laterally RESTRAINED SPRING ISOLATOR WITH CONSTANT FREE AND OPERATING HEIGHT AND REPLACEABLE NEOPRENE SNUBBING ELEMENTS.
- WHEN PROPERLY ADJUSTED, MAX. CLEARANCE IN SNUBBING ELEMENTS IS LIMITED TO 0.25 INCHES.
- MINIMUM COIL OVERLOAD OF 50%.
- MINIMUM Kx/Ky RATIO OF 1.0.
- ALL ELEMENTS SAFE AT SOLID LOADING.
- POWDER COATED COILS AND HOT DIPPED GALVANIZED BRACKET.
- HOUSINGS MAY BE USED FOR BLOCKING DURING EQUIPMENT ERECTION.

FLSS-2-2000/4500 Seismic Capacity Envelopes



Computed horizontal and vertical seismic load combinations must fall within the restraint capacity envelope



KINETICS NOISE CONTROL, INC
6300 IRELAN PL,
DUBLIN, OH 43017 USA
Ph: 614 889-0480, Fax: 614 889-0540
www.kineticsnoise.com

Model:
FLSS-2-
2000/4500

By: JMJ
Date: 07/12/02
Revised: 09/17/10 / BB

Drawing No:
S-01.22-22S
METRIC