

FLSS 25 mm DEFLECTION ISOLATOR

S-I UNITS (mm AND kg)

TYPE	L	W	T	A	B	D	E	F	d	H	TT
1-2500/7000	387	127	10	19	19	17	70	70	14	175	16

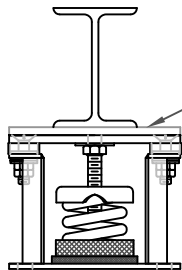
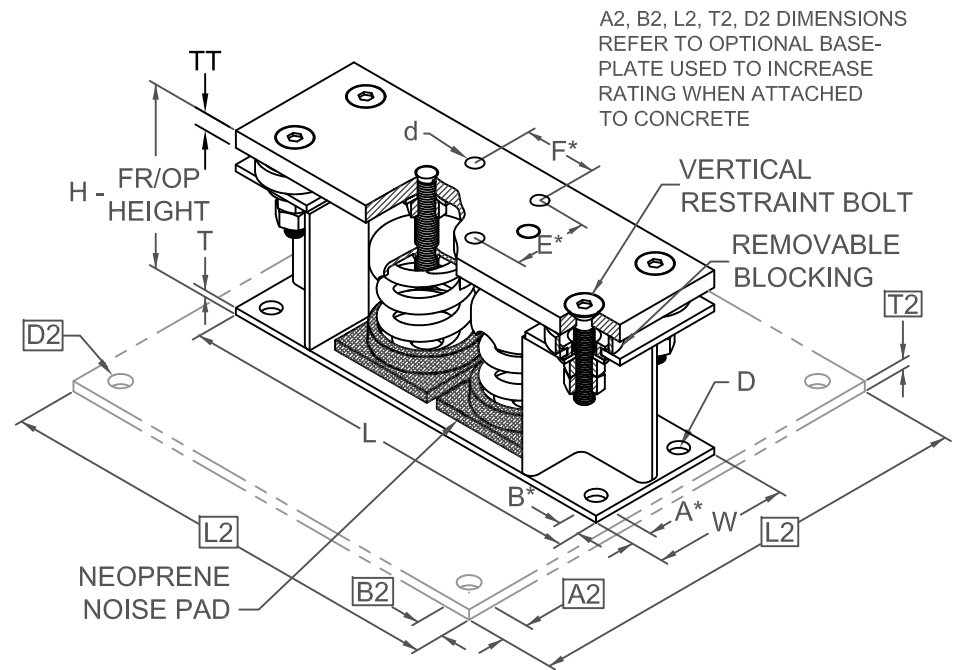
*ALL MOUNTING BOLT PATTERNS SYMMETRICAL ABOUT ISOLATOR CENTER-LINE

STANDARD RATINGS		SPRING COIL					
TYPE	SIZE	COLOR		FREE		RATED	
		OUTER	INNER	HT.	O.D.	LOAD	DEFL.
FLSS	1-2500	BROWN		107	76	1134	28
FLSS	1-3400	ORANGE		107	76	1542	24
FLSS	1-4400	ORANGE	GRAY	107	76	1996	26
FLSS	1-4930	BLUE		107	76	2236	25
FLSS	1-5730	BLUE	GRAY	107	76	2599	25
FLSS	1-7000	BLUE	BROWN	107	76	3175	25

1-2500/7000 REQUIRES 016 DIA. x 102 MIN. EMBED ANCHORS IN CONCRETE

(ALLOWABLE LOADS BASED ON 21 MPa MIN CONCRETE)

1-2500/7000 ANCHOR BOLT TORQUE - 102 N-M, PULL TEST - 1211 kg

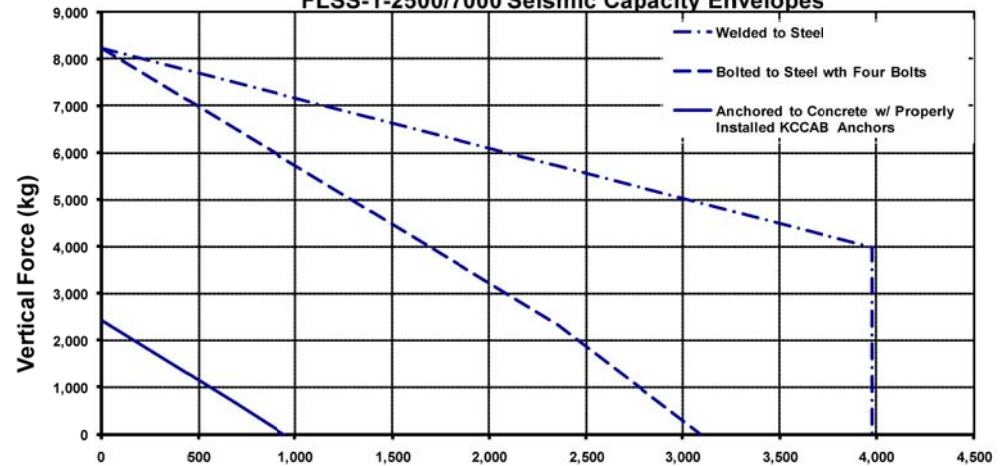


IF EQUIP SUPPORT STEEL IS 90° TO THE LONG ISOLATOR AXIS, AN ADD'L PLATE EQUAL IN THICKNESS TO THE TOP PLATE IS REQUIRED

SPECIFICATIONS:

- VERTICALLY AND Laterally RESTRAINED SPRING ISOLATOR WITH CONSTANT FREE AND OPERATING HEIGHT AND REPLACEABLE NEOPRENE SNUBBING ELEMENTS.
- WHEN PROPERLY ADJUSTED, MAX. CLEARANCE IN SNUBBING ELEMENTS IS LIMITED TO 0.25 INCHES.
- MINIMUM COIL OVERLOAD OF 50%.
- MINIMUM Kx/Ky RATIO OF 1.0.
- ALL ELEMENTS SAFE AT SOLID LOADING.
- POWDER COATED COILS AND HOT DIPPED GALVANIZED BRACKET.
- HOUSINGS MAY BE USED FOR BLOCKING DURING EQUIPMENT ERECTION.

FLSS-1-2500/7000 Seismic Capacity Envelopes



Computed horizontal and vertical seismic load combinations must fall within the restraint capacity envelope



KINETICS NOISE CONTROL, INC
6300 IRELAN PL,
DUBLIN, OH 43017 USA
Ph: 614 889-0480, Fax: 614 889-0540
www.kineticsnoise.com

Model:
FLSS-1-
2500/7000

By: JMJ
Date: 07/12/02
Revised: 09/17/10 / BB

Drawing No:
S-01.22-12S
METRIC