

FLSS 25 mm DEFLECTION ISOLATOR

S-I UNITS (mm AND kg)

TYPE	L	W	T	A	B	D	E	F	d	H	TT
1-50/3500	229	102	8	19	19	17	70	70	14	159	10

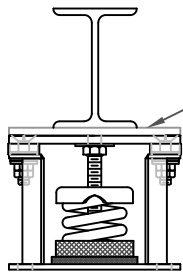
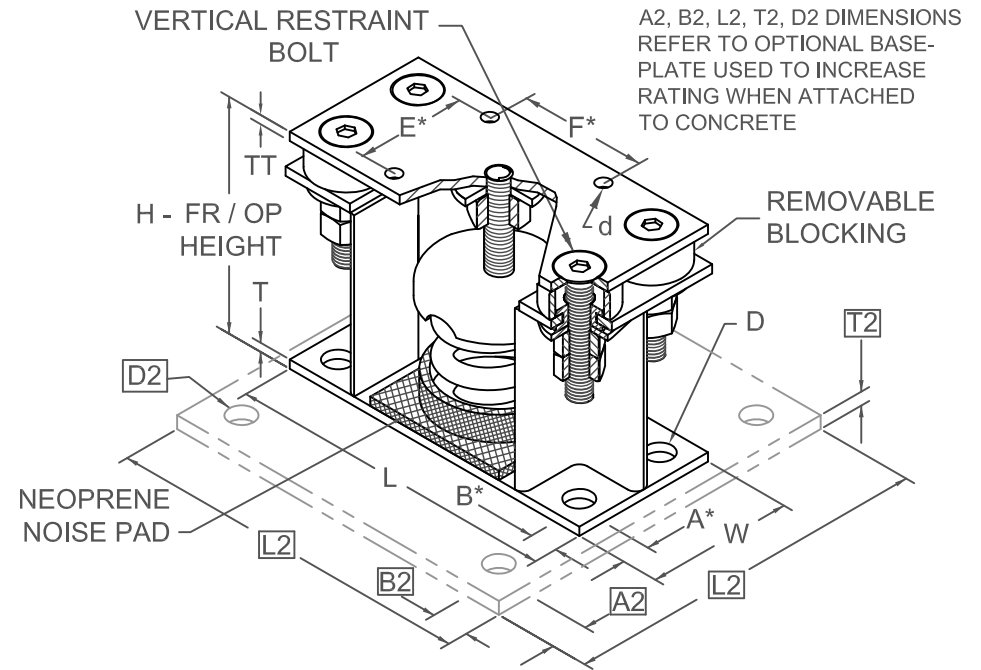
*ALL MOUNTING BOLT PATTERNS SYMMETRICAL ABOUT ISOLATOR CENTER-LINE

STANDARD RATINGS	SPRING COIL						
	COLOR		FREE			RATED	
TYPE	SIZE	OUTER	INNER	HT.	O.D.	LOAD	DEFL.
FLSS	1-50	BEIGE		107	76	23	25
FLSS	1-100	CHROME		107	76	45	25
FLSS	1-250	BLUE		107	76	113	45
FLSS	1-450	GREEN		107	76	204	39
FLSS	1-625	BLACK		107	76	283	37
FLSS	1-800	GRAY		107	76	363	33
FLSS	1-1000	RED		107	76	454	29
FLSS	1-1250	BROWN		107	76	567	28
FLSS	1-1700	ORANGE		107	76	771	24
FLSS	1-2200	ORANGE	GRAY	107	76	998	26
FLSS	1-2465	BLUE		107	76	1118	25
FLSS	1-2865	BLUE	GRAY	107	76	1300	25
FLSS	1-3500	BLUE	BROWN	107	76	1588	25

1-50/3500 REQUIRES 016 DIA. x 102 MIN. EMBED ANCHORS IN CONCRETE

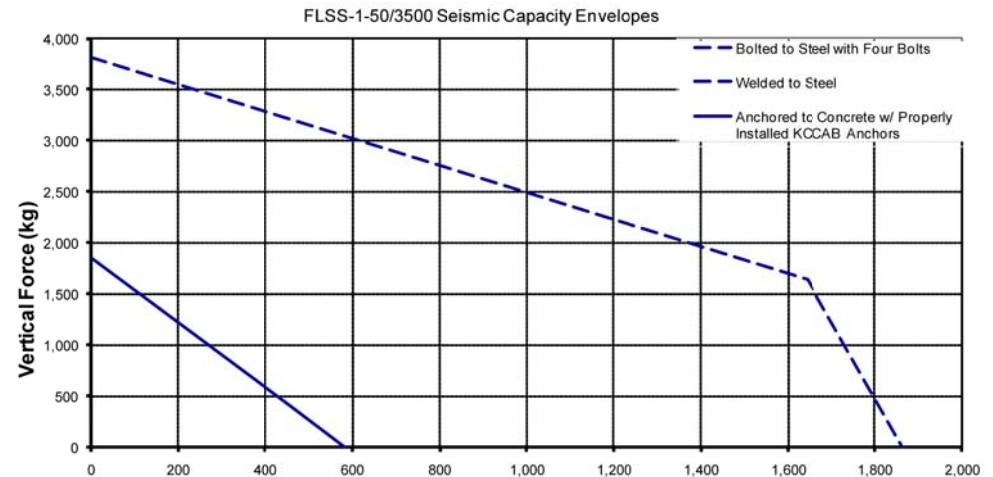
(ALLOWABLE LOADS BASED ON 21 MPa MIN CONCRETE)

1-50/3500 ANCHOR BOLT TORQUE - 102 N-M, PULL TEST - 1211 kg



SPECIFICATIONS:

- VERTICALLY AND LATERALLY RESTRAINED SPRING ISOLATOR WITH CONSTANT FREE AND OPERATING HEIGHT AND REPLACEABLE NEOPRENE SNUBBING ELEMENTS.
- WHEN PROPERLY ADJUSTED, MAX. CLEARANCE IN SNUBBING ELEMENTS IS LIMITED TO 0.25 INCHES.
- MINIMUM COIL OVERLOAD OF 50%.
- MINIMUM Kx/Ky RATIO OF 1.0.
- ALL ELEMENTS SAFE AT SOLID LOADING.
- POWDER COATED COILS AND HOT DIPPED GALVANIZED BRACKET.
- HOUSINGS MAY BE USED FOR BLOCKING DURING EQUIPMENT ERECTION.



Computed horizontal and vertical seismic load combinations must fall within the restraint capacity envelope



KINETICS NOISE CONTROL, INC
6300 IRELAN PL,
DUBLIN, OH 43017 USA
Ph: 614 889-0480, Fax: 614 889-0540
www.kineticsnoise.com

Model:
FLSS-1-50/3500

By: **JMJ**
Date: **07/09/02**
Revised: **09/17/10 / BB**

Drawing No:
S-01.22-11S
METRIC