

FLS 102 mm DEFLECTION ISOLATOR

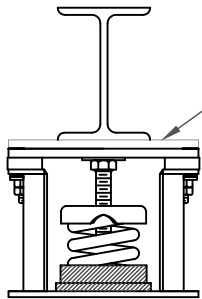
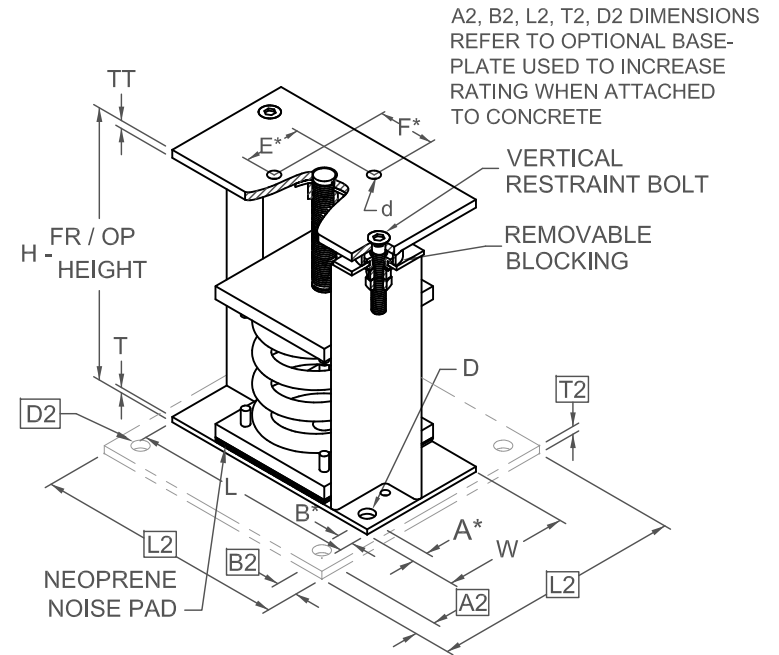
S-I UNITS (mm AND kg)

TYPE	L	W	T	A	B	D	E	F	d	H	TT
4-100/1600	273	152	6	19	19	17	70	70	14	330	10

*ALL MOUNTING BOLT PATTERNS SYMMETRICAL ABOUT ISOLATOR CENTER-LINE

STANDARD RATINGS		SPRING COIL				
TYPE	SIZE	COLOR	FREE HT.	O.D.	RATED	
					LOAD	DEFL.
FLS	4-100	GRAY	254	143	45	102
FLS	4-250	BLUE	254	143	113	102
FLS	4-500	GREEN	254	143	227	102
FLS	4-750	BLACK	254	143	340	102
FLS	4-1000	RED	254	143	454	102
FLS	4-1250	BROWN	254	143	567	102
FLS	4-1600	ORANGE	254	143	726	102

4-100/1600 REQUIRES 016 DIA. x 102 MIN. EMBED ANCHORS IN CONCRETE
 (ALLOWABLE LOADS BASED ON 21 MPa MIN CONCRETE)
 4-100/1600 ANCHOR BOLT TORQUE - 102 N-M, PULL TEST - 1211 kg

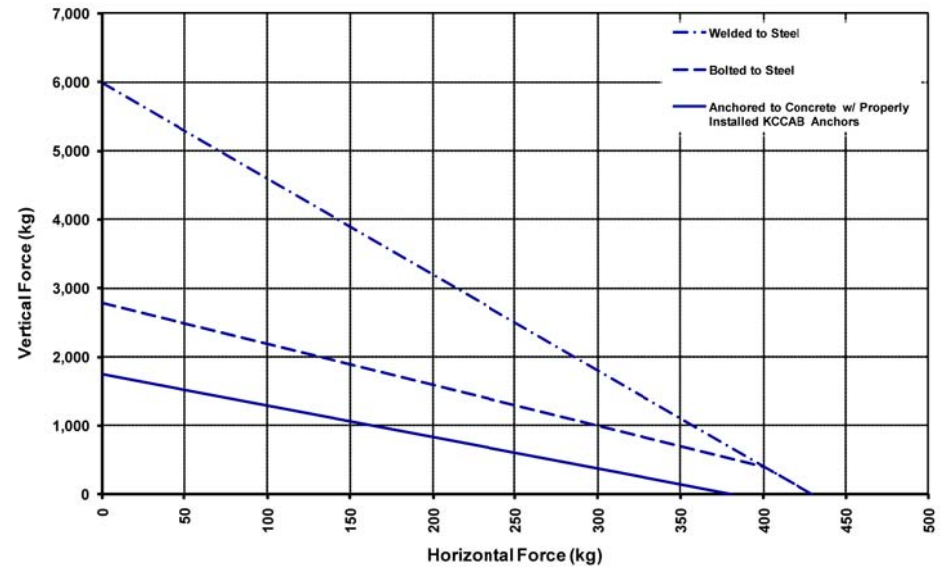


IF EQUIP SUPPORT STEEL IS 90° TO THE LONG ISOLATOR AXIS, AN ADD'L PLATE EQUAL IN THICKNESS TO THE TOP PLATE IS REQUIRED

SPECIFICATIONS:

- VERTICALLY AND Laterally RESTRAINED SPRING ISOLATOR WITH CONSTANT FREE AND OPERATING HEIGHT AND REPLACEABLE NEOPRENE SNUBBING ELEMENTS.
- WHEN PROPERLY ADJUSTED, MAX. CLEARANCE IN SNUBBING ELEMENTS IS LIMITED TO 0.25 INCHES.
- MINIMUM COIL OVERLOAD OF 50%.
- MINIMUM Kx/Ky RATIO OF 1.0.
- ALL ELEMENTS SAFE AT SOLID LOADING.
- POWDER COATED COILS AND HOT DIPPED GALVANIZED BRACKET.
- HOUSINGS MAY BE USED FOR BLOCKING DURING EQUIPMENT ERECTION.

FLS-4-100/1600 Seismic Capacity Envelopes



Computed horiz. and vert. seismic load combinations must fall within the restraint capacity envelope.



KINETICS NOISE CONTROL, INC
 6300 IRELAN PL,
 DUBLIN, OH 43017 USA
 Ph: 614 889-0480, Fax: 614 889-0540
 www.kineticsnoise.com

Model:
FLS-4-100/1600

By: JMJ
 Date: 07/09/02
 Revised: 05/10/10/BB

Drawing No:
S-01.22-41 METRIC