

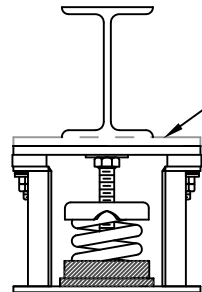
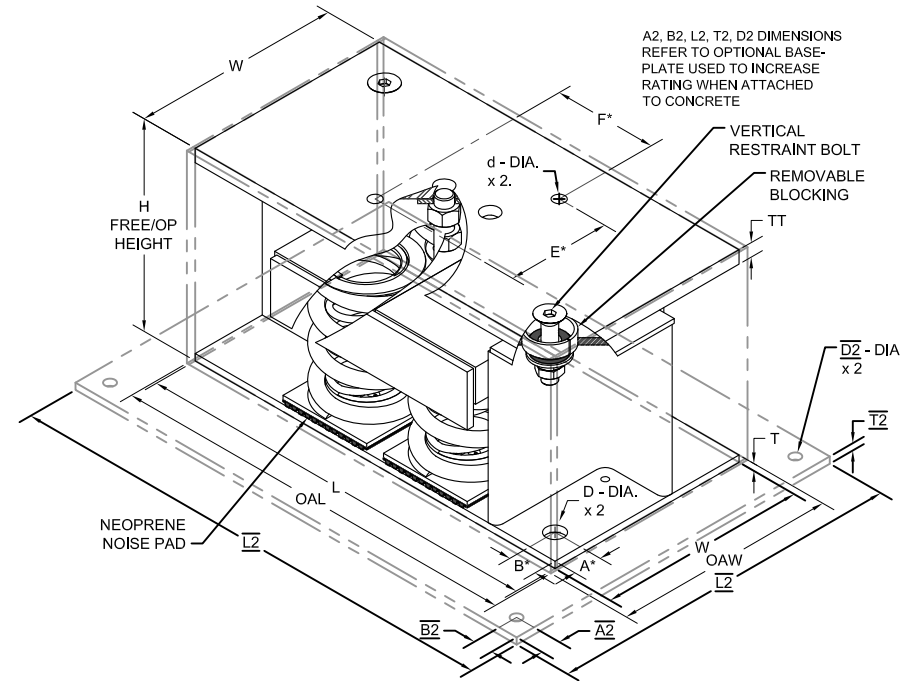
**FLS 2" DEFLECTION ISOLATOR**  
IP UNITS (INCHES AND POUNDS)

TYPE	L	W	T	A	B	D	E	F	d	H	TT	OAL	OAW
2-8000/18000	21.50	11.00	0.38	1.50	1.50	1.06	5.50	5.50	0.69	11.00	0.75	21.75	11.75

\*ALL MOUNTING BOLT PATTERNS SYMMETRICAL ABOUT ISOLATOR CENTER-LINE

STANDARD RATINGS		SPRING COIL						
TYPE	SIZE	COLOR			FREE		RATED	
		OUTER	INNER1	INNER2	HT.	O.D.	LOAD	DEFL.
FLS	2-8000	ORANGE			7.00	5.00	8000	2.00
FLS	2-10000	BLUE			7.00	5.00	10000	2.00
FLS	2-11000	BLUE	BLUE		7.00	5.00	11000	2.00
FLS	2-12100	BLUE	GREEN		7.00	5.00	12100	2.02
FLS	2-13000	BLUE	BLACK		7.00	5.00	13000	2.00
FLS	2-14000	BLUE	ORANGE		7.00	5.00	14000	2.00
FLS	2-15600	BLUE	ORANGE	GREEN	7.00	5.00	15600	2.00
FLS	2-16400	BLUE	RED		7.00	5.00	16400	2.00
FLS	2-18000	BLUE	RED	GREEN	7.00	5.00	18000	2.00

2-8000/18000 REQUIRES 0.75 DIA. x 4.75 MIN. EMBED ANCHORS IN CONCRETE  
(ALLOWABLE LOADS BASED ON 3000 PSI MIN CONCRETE)  
2-8000/18000 ANCHOR BOLT TORQUE - 150 FT-LB, PULL TEST - 3625 LB

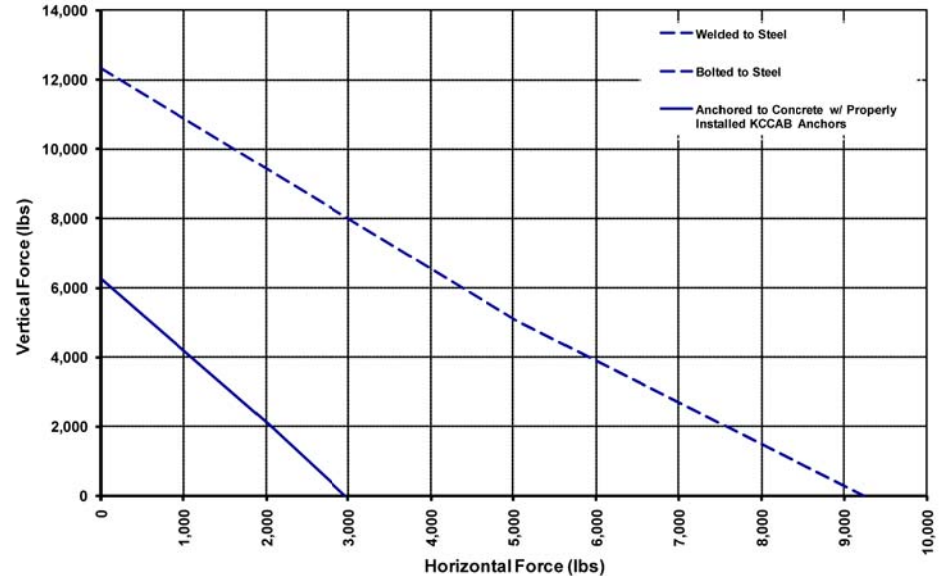


IF EQUIP SUPPORT STEEL IS 90° TO THE LONG ISOLATOR AXIS, AN ADD'L PLATE EQUAL IN THICKNESS TO THE TOP PLATE IS REQUIRED

**SPECIFICATIONS:**

- VERTICALLY AND LATERALLY RESTRAINED SPRING ISOLATOR WITH CONSTANT FREE AND OPERATING HEIGHT AND REPLACEABLE NEOPRENE SNUBBING ELEMENTS.
- WHEN PROPERLY ADJUSTED, MAX. CLEARANCE IN SNUBBING ELEMENTS IS LIMITED TO 0.25 INCHES.
- MINIMUM COIL OVERLOAD OF 50%.
- MINIMUM Kx/Ky RATIO OF 1.0.
- ALL ELEMENTS SAFE AT SOLID LOADING.
- POWDER COATED COILS AND HOT DIPPED GALVANIZED BRACKET.
- HOUSINGS MAY BE USED FOR BLOCKING DURING EQUIPMENT ERECTION.

**FLS-2-8000/18000 Seismic Capacity Envelopes**



Computed horiz. and vert. seismic load combinations must fall within the restraint capacity envelope.



KINETICS NOISE CONTROL, INC  
6300 IRELAN PL,  
DUBLIN, OH 43017 USA  
Ph: 614 889-0480, Fax: 614 889-0540  
www.kineticsnoise.com

Model:  
**FLS-2-  
8000/18000**

By: **JMJ**  
Date: **07/09/02**  
Revised: **05/10/10 / BB**

Drawing No:  
**S-01.22-24**