

FLS 51 mm DEFLECTION ISOLATOR

S-I UNITS (mm AND kg)

TYPE	L	W	T	A	B	D	E	F	d	H	TT	OAL	OAW
2-8000/18000	546	279	10	38	38	27	140	140	17	279	19	552	298

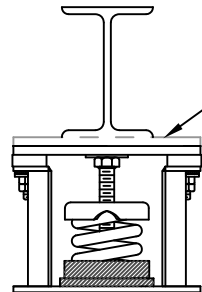
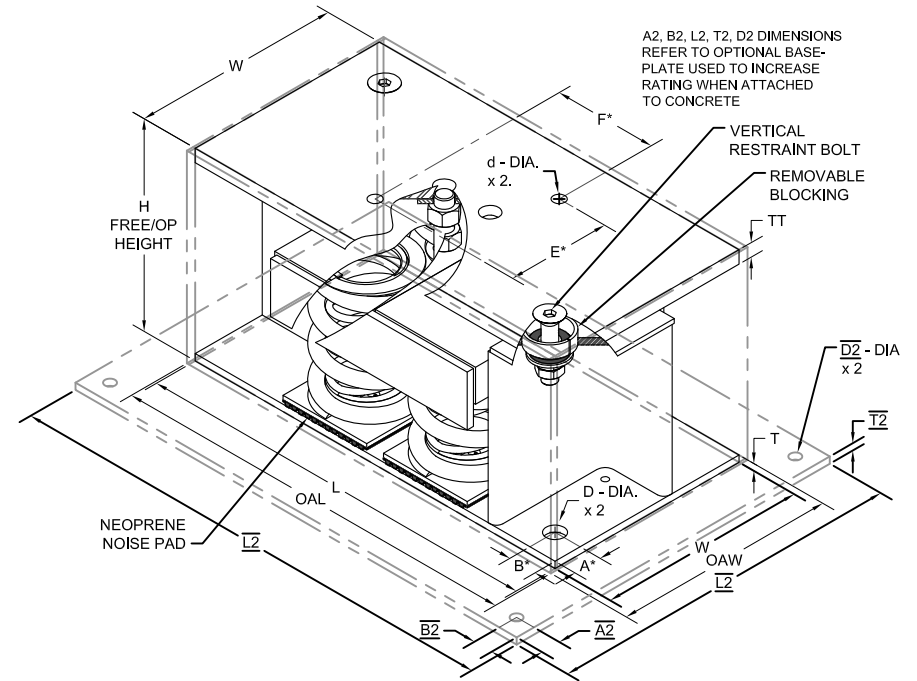
*ALL MOUNTING BOLT PATTERNS SYMMETRICAL ABOUT ISOLATOR CENTER-LINE

STANDARD RATINGS	SPRING COIL							
	TYPE	SIZE	COLOR			FREE		RATED
OUTER			INNER1	INNER2	HT.	O.D.	LOAD	DEFL.
FLS	2-8000	ORANGE			178	127	3629	51
FLS	2-10000	BLUE			178	127	4536	51
FLS	2-11000	BLUE	BLUE		178	127	4990	51
FLS	2-12100	BLUE	GREEN		178	127	5488	51
FLS	2-13000	BLUE	BLACK		178	127	5897	51
FLS	2-14000	BLUE	ORANGE		178	127	6350	51
FLS	2-15600	BLUE	ORANGE	GREEN	178	127	7076	51
FLS	2-16400	BLUE	RED		178	127	7439	51
FLS	2-18000	BLUE	RED	GREEN	178	127	8165	51

2-8000/18000 REQUIRES 019 DIA. x 119 MIN. EMBED ANCHORS IN CONCRETE

(ALLOWABLE LOADS BASED ON 21 MPa MIN CONCRETE)

2-8000/18000 ANCHOR BOLT TORQUE - 203 N-M, PULL TEST - 1644 kg

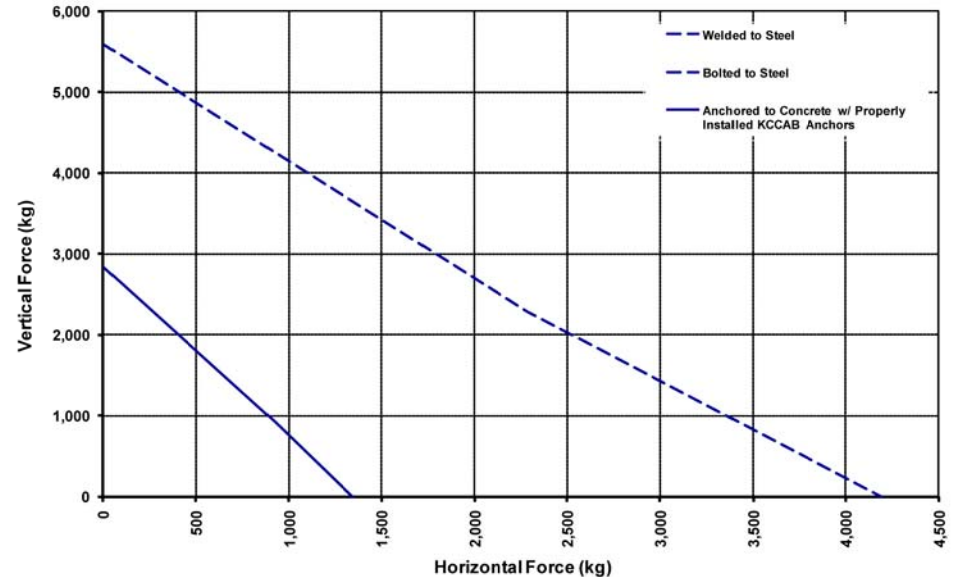


IF EQUIP SUPPORT STEEL IS 90° TO THE LONG ISOLATOR AXIS, AN ADD'L PLATE EQUAL IN THICKNESS TO THE TOP PLATE IS REQUIRED

SPECIFICATIONS:

- VERTICALLY AND Laterally RESTRAINED SPRING ISOLATOR WITH CONSTANT FREE AND OPERATING HEIGHT AND REPLACEABLE NEOPRENE SNUBBING ELEMENTS.
- WHEN PROPERLY ADJUSTED, MAX. CLEARANCE IN SNUBBING ELEMENTS IS LIMITED TO 0.25 INCHES.
- MINIMUM COIL OVERLOAD OF 50%.
- MINIMUM Kx/Ky RATIO OF 1.0.
- ALL ELEMENTS SAFE AT SOLID LOADING.
- POWDER COATED COILS AND HOT DIPPED GALVANIZED BRACKET.
- HOUSINGS MAY BE USED FOR BLOCKING DURING EQUIPMENT ERECTION.

FLS-2-8000/18000 Seismic Capacity Envelopes



Computed horiz. and vert. seismic load combinations must fall within the restraint capacity envelope.



KINETICS NOISE CONTROL, INC
6300 IRELAN PL,
DUBLIN, OH 43017 USA
Ph: 614 889-0480, Fax: 614 889-0540
www.kineticsnoise.com

Model:
FLS-2-
8000/18000

By: JMJ
Date: 07/09/02
Revised: 05/10/10 / BB

Drawing No:
S-01.22-24
METRIC