

FLS 51 mm DEFLECTION ISOLATOR

S-I UNITS (mm AND kg)

| TYPE | L | W | T | A | B | D | E | F | d | H | TT |
|-------------|-----|-----|---|----|----|----|----|----|----|-----|----|
| 2-2000/4500 | 273 | 127 | 6 | 19 | 35 | 17 | 70 | 70 | 14 | 254 | 14 |

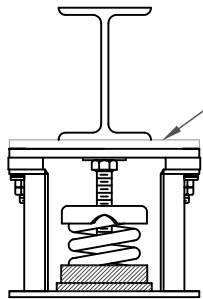
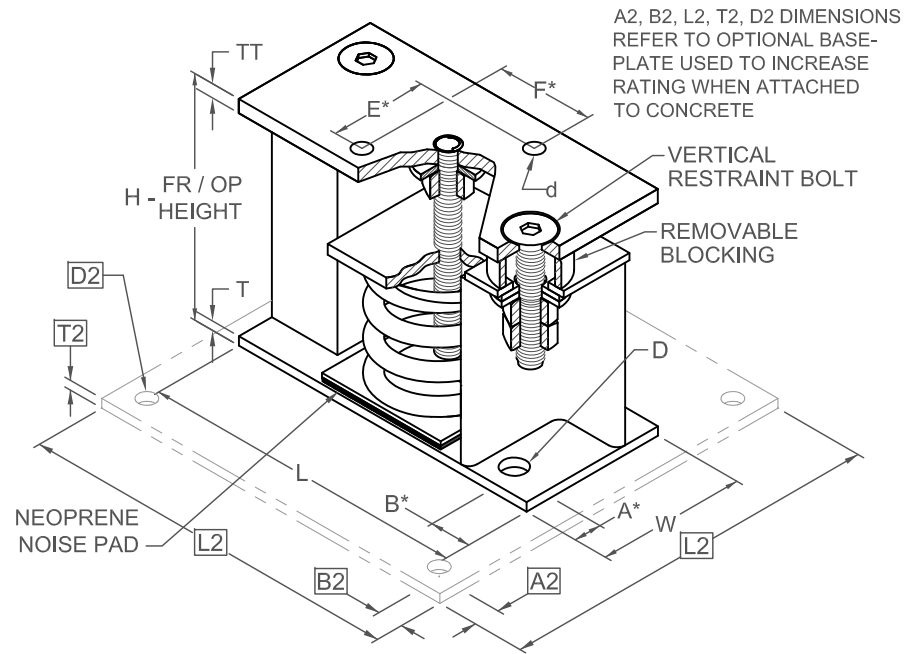
*ALL MOUNTING BOLT PATTERNS SYMMETRICAL ABOUT ISOLATOR CENTER-LINE

| STANDARD RATINGS | | SPRING COIL | | | | | | |
|------------------|--------|-------------|--------|--------|-----|-------|------|-------|
| TYPE | SIZE | COLOR | | FREE | | RATED | | |
| | | OUTER | INNER1 | INNER2 | HT. | O.D. | LOAD | DEFL. |
| FLS | 2-2000 | ORANGE | | | 178 | 127 | 907 | 51 |
| FLS | 2-2500 | BLUE | | | 178 | 127 | 1134 | 51 |
| FLS | 2-2750 | BLUE | BLUE | | 178 | 127 | 1247 | 51 |
| FLS | 2-3025 | BLUE | GREEN | | 178 | 127 | 1372 | 51 |
| FLS | 2-3250 | BLUE | BLACK | | 178 | 127 | 1474 | 51 |
| FLS | 2-3500 | BLUE | ORANGE | | 178 | 127 | 1588 | 51 |
| FLS | 2-3900 | BLUE | ORANGE | GREEN | 178 | 127 | 1769 | 51 |
| FLS | 2-4100 | BLUE | RED | | 178 | 127 | 1860 | 51 |
| FLS | 2-4500 | BLUE | RED | GREEN | 178 | 127 | 2041 | 51 |

2-2000/4500 REQUIRES 016 DIA. x 102 MIN. EMBED ANCHORS IN CONCRETE

(ALLOWABLE LOADS BASED ON 21 MPa MIN CONCRETE)

2-2000/4500 ANCHOR BOLT TORQUE - 102 N-M, PULL TEST - 1211 kg

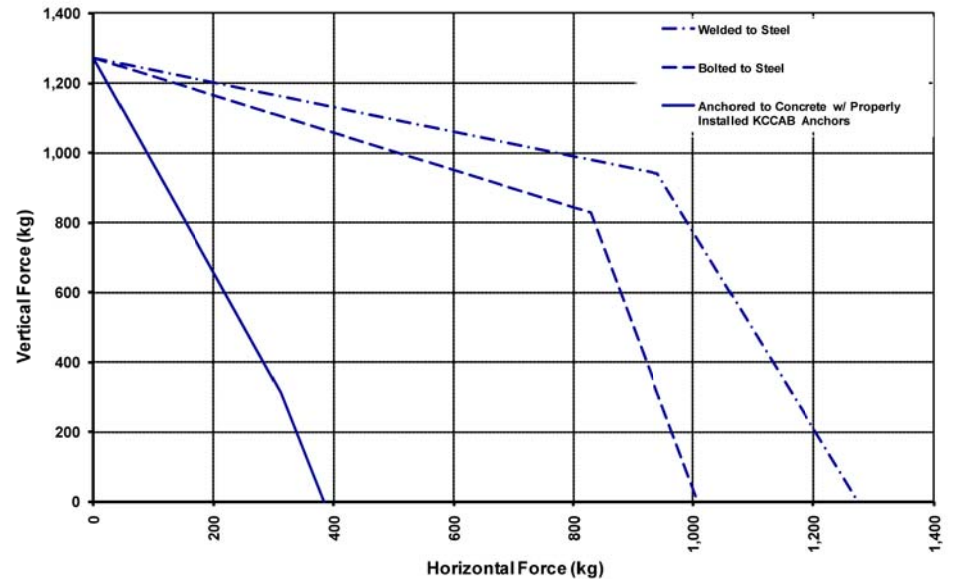


IF EQUIP SUPPORT STEEL IS 90° TO THE LONG ISOLATOR AXIS, AN ADD'L PLATE EQUAL IN THICKNESS TO THE TOP PLATE IS REQUIRED

SPECIFICATIONS:

- VERTICALLY AND Laterally RESTRAINED SPRING ISOLATOR WITH CONSTANT FREE AND OPERATING HEIGHT AND REPLACEABLE NEOPRENE SNUBBING ELEMENTS.
- WHEN PROPERLY ADJUSTED, MAX. CLEARANCE IN SNUBBING ELEMENTS IS LIMITED TO 0.25 INCHES.
- MINIMUM COIL OVERLOAD OF 50%.
- MINIMUM K_x/K_y RATIO OF 1.0.
- ALL ELEMENTS SAFE AT SOLID LOADING.
- POWDER COATED COILS AND HOT DIPPED GALVANIZED BRACKET.
- HOUSINGS MAY BE USED FOR BLOCKING DURING EQUIPMENT ERECTION.

FLS-2-2000/4500 Seismic Capacity Envelopes



Computed horiz. and vert. seismic load combinations must fall within the restraint capacity envelope.



KINETICS NOISE CONTROL, INC
6300 IRELAN PL,
DUBLIN, OH 43017 USA
Ph: 614 889-0480, Fax: 614 889-0540
www.kineticsnoise.com

Model:
FLS-2-
2000/4500

By: JMJ
Date: 07/09/02
Revised: 05/10/10 / BB

Drawing No:
S-01.22-22
METRIC