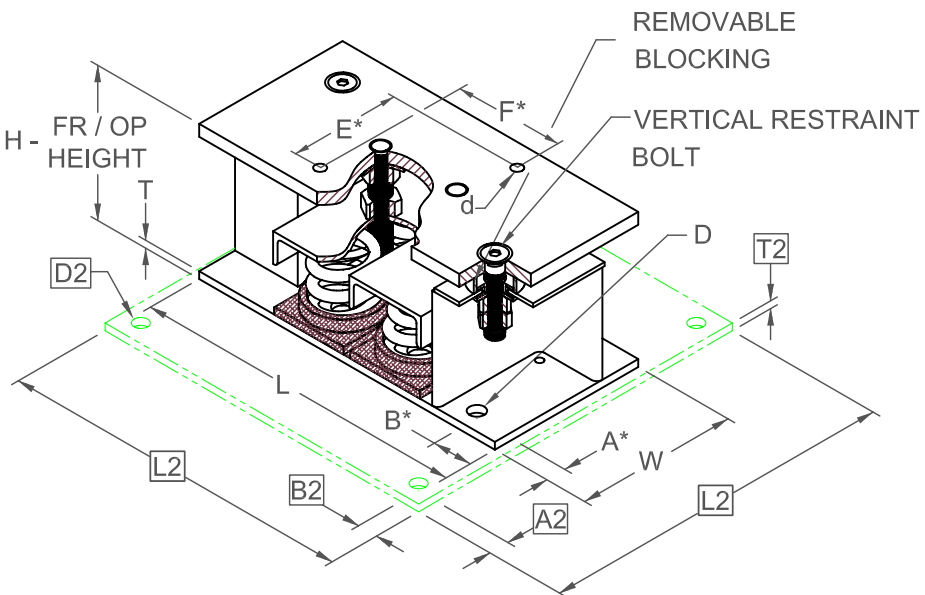


FLS 1" DEFLECTION ISOLATOR IP UNITS (INCHES AND POUNDS)

A2, B2, L2, T2, D2 DIMENSIONS REFER TO OPTIONAL BASE-PLATE USED TO INCREASE RATING WHEN ATTACHED TO CONCRETE

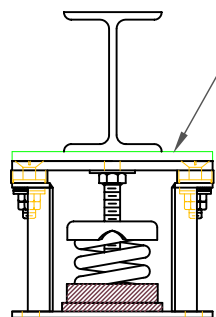
TYPE	L	W	T	A	B	D	E	F	d	H
1-5000/14000	16.50	8.00	0.38	1.00	2.00	0.81	5.50	5.50	0.69	7.50

STANDARD RATINGS		SPRING COIL					
TYPE	SIZE	COLOR		FREE		RATED	
		OUTER	INNER	HT.	O.D.	LOAD	DEFL.
FLS	1-5000	BROWN		4.20	3.00	5000	1.09
FLS	1-6800	ORANGE		4.20	3.00	6800	0.95
FLS	1-8800	ORANGE	GRAY	4.20	3.00	8800	1.00
FLS	1-9860	BLUE		4.20	3.00	9860	1.00
FLS	1-11460	BLUE	GRAY	4.20	3.00	11460	1.00
FLS	1-14000	BLUE	BROWN	4.20	3.00	14000	1.00



1-5000/14000 REQUIRES 0.75 DIA. x 4.75 MIN. EMBED ANCHORS IN CONCRETE (ALLOWABLE LOADS BASED ON 3000 PSI MIN CONCRETE)
1-5000/14000 ANCHOR BOLT TORQUE - 150 FT-LB, PULL TEST - 3625 LB

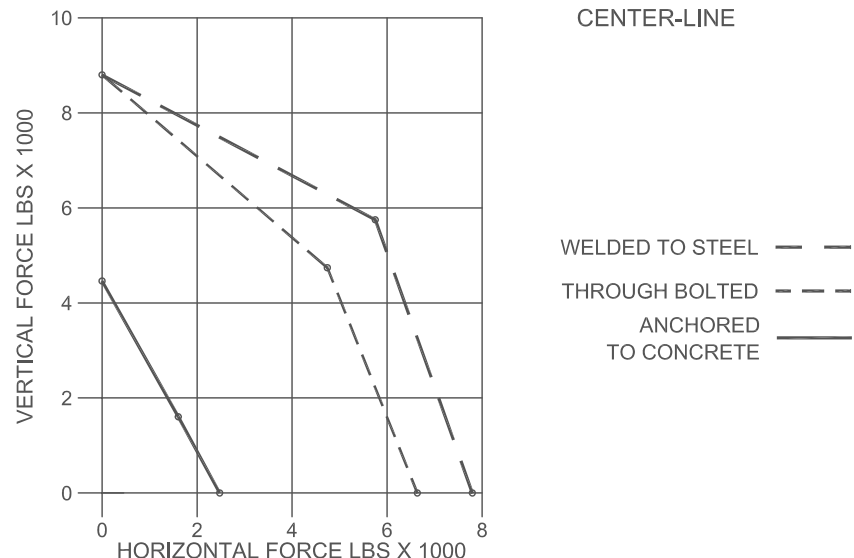
*ALL MOUNTING BOLT PATTERNS SYMMETRICAL ABOUT ISOLATOR CENTER-LINE



IF EQUIP SUPPORT STEEL IS 90° TO THE LONG ISOLATOR AXIS, AN ADD'L PLATE EQUAL IN THICKNESS TO THE TOP PLATE IS REQUIRED

SPECIFICATIONS:

- VERTICALLY AND Laterally RESTRAINED SPRING ISOLATOR WITH CONSTANT FREE AND OPERATING HEIGHT AND REPLACEABLE NEOPRENE SNUBBING ELEMENTS.
- MINIMUM COIL OVERLOAD OF 50%.
- MINIMUM Kx/Ky RATIO OF 1.0.
- ALL ELEMENTS SAFE AT SOLID LOADING.
- POWDER COATED COILS AND HOT DIPPED GALVANIZED BRACKET.
- HOUSINGS MAY BE USED FOR BLOCKING DURING EQUIPMENT ERECTION.



Computed horiz and vert seismic load combinations must fall within the restraint capacity envelope. Contact KNC for bolted to steel data.



KINETICS NOISE CONTROL, INC
6300 IRELAN PL,
DUBLIN, OH 43017 USA
Ph: 614 889-0480, Fax: 614 889-0540
www.kineticsnoise.com

Model:
**FLS-1-
5000 / 14000**

By: **JMJ**
Date: **07/09/02**
Revised: **4/4/06 / PWM**

Drawing No:
S-01.22-13