

# FLS 25 mm DEFLECTION ISOLATOR

S-I UNITS (mm AND kg)

TYPE	L	W	T	A	B	D	E	F	d	H	TT
1-2500/7000	356	102	10	25	13	17	70	70	14	175	16

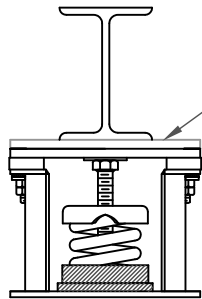
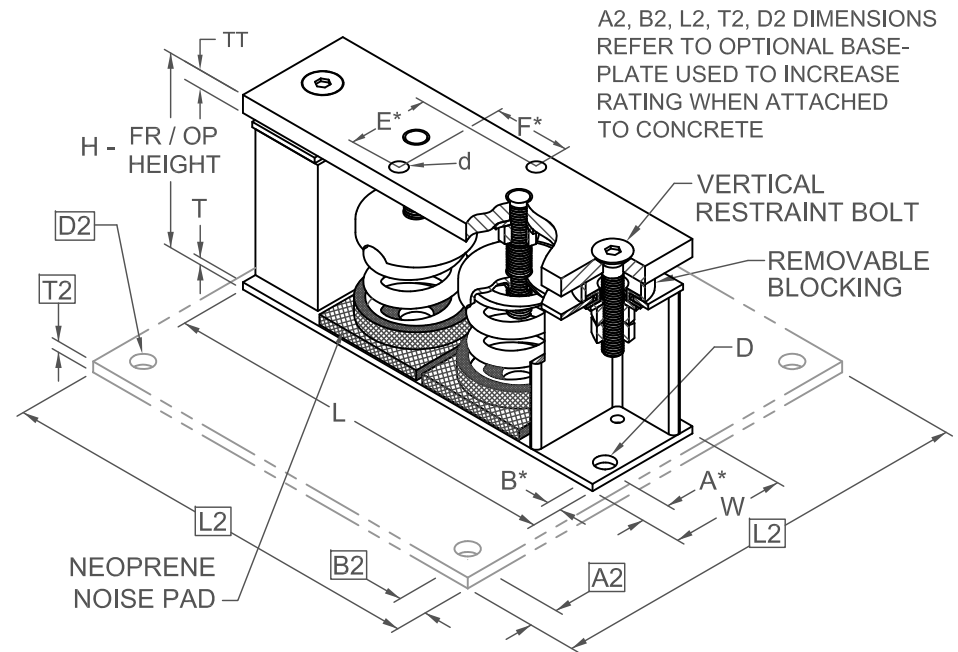
\*ALL MOUNTING BOLT PATTERNS SYMMETRICAL ABOUT ISOLATOR CENTER-LINE

STANDARD RATINGS		SPRING COIL					
TYPE	SIZE	COLOR		FREE		RATED	
		OUTER	INNER	HT.	O.D.	LOAD	DEFL.
FLS	1-2500	BROWN		107	76	1134	28
FLS	1-3400	ORANGE		107	76	1542	24
FLS	1-4400	ORANGE	GRAY	107	76	1996	26
FLS	1-4930	BLUE		107	76	2236	25
FLS	1-5730	BLUE	GRAY	107	76	2599	25
FLS	1-7000	BLUE	BROWN	107	76	3175	25

1-2500/7000 REQUIRES 016 DIA. x 102 MIN. EMBED ANCHORS IN CONCRETE

(ALLOWABLE LOADS BASED ON 21 MPa MIN CONCRETE)

1-2500/7000 ANCHOR BOLT TORQUE - 102 N-M, PULL TEST - 1211 kg

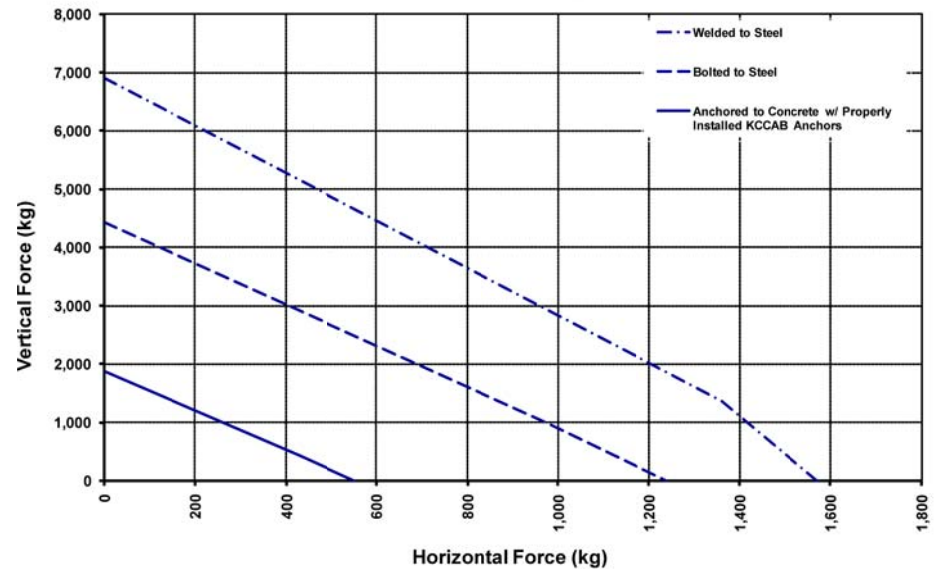


IF EQUIP SUPPORT STEEL IS 90° TO THE LONG ISOLATOR AXIS, AN ADD'L PLATE EQUAL IN THICKNESS TO THE TOP PLATE IS REQUIRED

## SPECIFICATIONS:

- VERTICALLY AND Laterally RESTRAINED SPRING ISOLATOR WITH CONSTANT FREE AND OPERATING HEIGHT AND REPLACEABLE NEOPRENE SNUBBING ELEMENTS.
- WHEN PROPERLY ADJUSTED, MAX. CLEARANCE IN SNUBBING ELEMENTS IS LIMITED TO 0.25 INCHES.
- MINIMUM COIL OVERLOAD OF 50%.
- MINIMUM Kx/Ky RATIO OF 1.0.
- ALL ELEMENTS SAFE AT SOLID LOADING.
- POWDER COATED COILS AND HOT DIPPED GALVANIZED BRACKET.
- HOUSINGS MAY BE USED FOR BLOCKING DURING EQUIPMENT ERECTION.

FLS-1-2500/7000 Seismic Capacity Envelopes



Computed horiz. and vert. seismic load combinations must fall within the restraint capacity envelope.



KINETICS NOISE CONTROL, INC  
6300 IRELAN PL,  
DUBLIN, OH 43017 USA  
Ph: 614 889-0480, Fax: 614 889-0540  
www.kineticsnoise.com

Model:  
FLS-1-  
2500/7000

By: JMJ  
Date: 07/09/02  
Revised: 05/10/10 / BB

Drawing No:  
S-01.22-12  
METRIC