

FLS 1" DEFLECTION ISOLATOR

IP UNITS (INCHES AND POUNDS)

TYPE	L	W	T	A	B	D	E	F	d	H	TT
1-50/3500	8.75	4.00	0.25	0.75	1.13	0.69	2.75	2.75	0.56	6.25	0.38

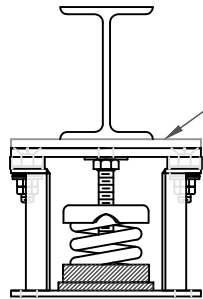
*ALL MOUNTING BOLT PATTERNS SYMMETRICAL ABOUT ISOLATOR CENTER-LINE

STANDARD RATINGS		SPRING COIL					
TYPE	SIZE	COLOR		FREE		RATED	
		OUTER	INNER	HT.	O.D.	LOAD	DEFL.
FLS	1-50	BEIGE		4.20	3.00	50	1.00
FLS	1-100	CHROME		4.20	3.00	100	1.00
FLS	1-250	BLUE		4.20	3.00	250	1.79
FLS	1-450	GREEN		4.20	3.00	450	1.54
FLS	1-625	BLACK		4.20	3.00	625	1.44
FLS	1-800	GRAY		4.20	3.00	800	1.31
FLS	1-1000	RED		4.20	3.00	1000	1.15
FLS	1-1250	BROWN		4.20	3.00	1250	1.09
FLS	1-1700	ORANGE		4.20	3.00	1700	0.95
FLS	1-2200	ORANGE	GRAY	4.20	3.00	2200	1.00
FLS	1-2465	BLUE		4.20	3.00	2465	1.00
FLS	1-2865	BLUE	GRAY	4.20	3.00	2865	1.00
FLS	1-3500	BLUE	BROWN	4.20	3.00	3500	1.00

1-50/3500 REQUIRES 0.62 DIA. x 4.00 MIN. EMBED ANCHORS IN CONCRETE

(ALLOWABLE LOADS BASED ON 3000 PSI MIN CONCRETE)

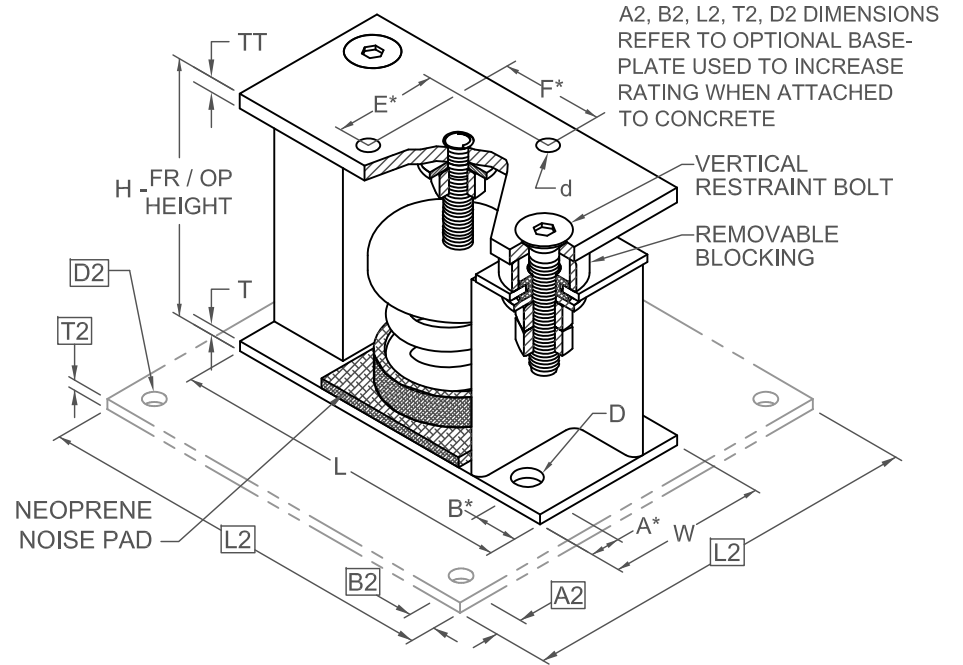
1-50/3500 ANCHOR BOLT TORQUE - 75 FT-LB, PULL TEST - 2670 LB



IF EQUIP SUPPORT STEEL IS 90° TO THE LONG ISOLATOR AXIS, AN ADD'L PLATE EQUAL IN THICKNESS TO THE TOP PLATE IS REQUIRED

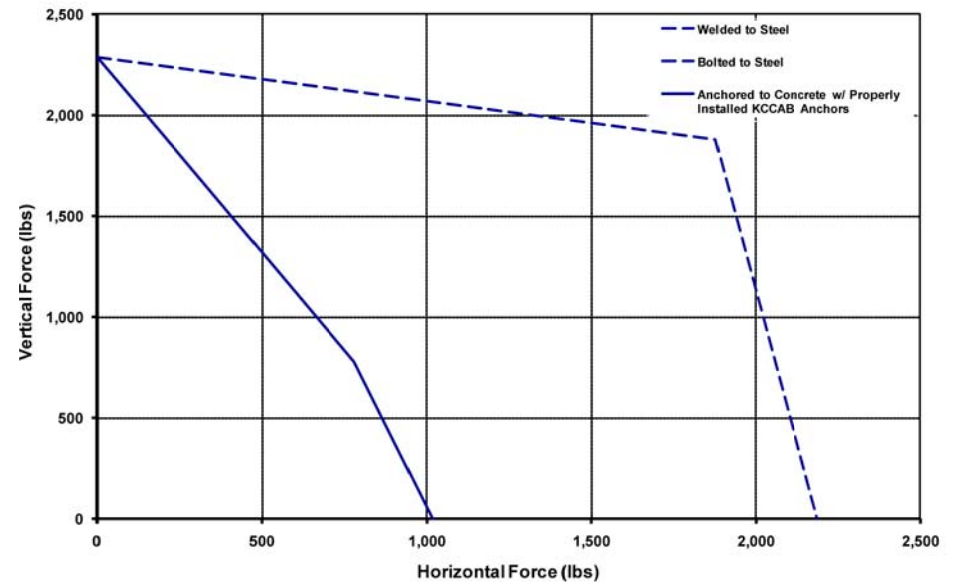
SPECIFICATIONS:

- VERTICALLY AND Laterally RESTRAINED SPRING ISOLATOR WITH CONSTANT FREE AND OPERATING HEIGHT AND REPLACEABLE NEOPRENE SNUBBING ELEMENTS.
- WHEN PROPERLY ADJUSTED, MAX. CLEARANCE IN SNUBBING ELEMENTS IS LIMITED TO 0.25 INCHES.
- MINIMUM COIL OVERLOAD OF 50%.
- MINIMUM Kx/Ky RATIO OF 1.0.
- ALL ELEMENTS SAFE AT SOLID LOADING.
- POWDER COATED COILS AND HOT DIPPED GALVANIZED BRACKET.
- HOUSINGS MAY BE USED FOR BLOCKING DURING EQUIPMENT ERECTION.



A2, B2, L2, T2, D2 DIMENSIONS REFER TO OPTIONAL BASE-PLATE USED TO INCREASE RATING WHEN ATTACHED TO CONCRETE

FLS-1-50/3500 Seismic Capacity Envelopes



Computed horiz. and vert. seismic load combinations must fall within the restraint capacity envelope.



KINETICS NOISE CONTROL, INC
6300 IRELAN PL,
DUBLIN, OH 43017 USA
Ph: 614 889-0480, Fax: 614 889-0540
www.kineticsnoise.com

Model:
FLS-
1-50/3500

By: JMJ
Date: 07/10/02
Revised: 05/10/10 / BB

Drawing No:
S-01.22-11