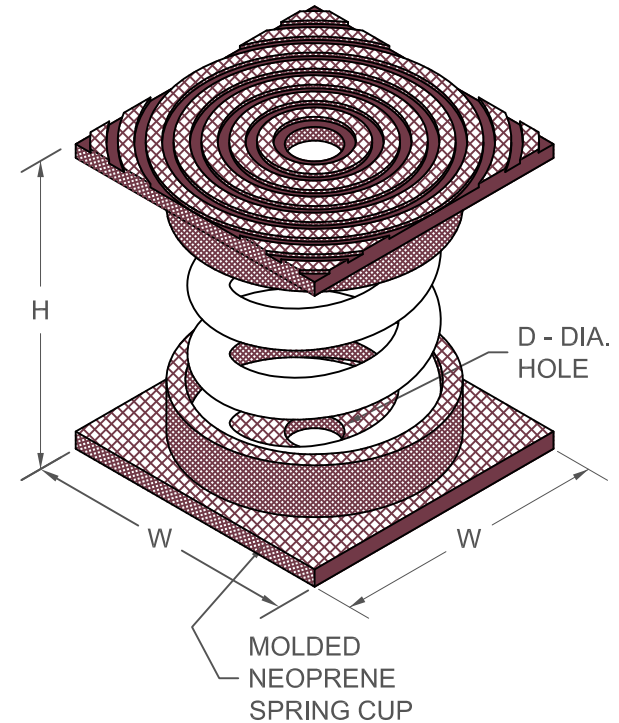


# SHU 2" DEFLECTION ISOLATOR

IP UNITS (INCHES AND POUNDS)

TYPE	H	W	D
2-100/1975	6.84	4.38	1.00

STANDARD RATINGS		SPRING COIL					
TYPE	SIZE	COLOR		FREE		RATED	
		OUTER	INNER	HT.	O.D.	LOAD	DEFL.
SHU	2-100	GRAY		6.09	3.50	100	2.00
SHU	2-135	BEIGE		6.09	3.50	135	2.00
SHU	2-185	BROWN		6.09	3.50	185	2.00
SHU	2-225	GRAY	BROWN	6.09	3.50	225	2.00
SHU	2-250	BLUE		6.09	3.50	250	2.00
SHU	2-375	BLUE	BROWN	6.09	3.50	375	2.00
SHU	2-500	GREEN		6.09	3.50	500	2.00
SHU	2-625	GREEN	BROWN	6.09	3.50	625	2.00
SHU	2-750	BLACK		6.09	3.50	750	2.00
SHU	2-875	BLACK	BROWN	6.09	3.50	875	2.00
SHU	2-995	ORANGE		6.09	3.50	995	2.00
SHU	2-1120	ORANGE	BROWN	6.09	3.50	1120	2.00
SHU	2-1400	ORANGE	GREEN	6.09	3.50	1400	2.01
SHU	2-1600	RED		6.09	3.50	1600	2.00
SHU	2-1975	RED	GREEN	6.09	3.50	1975	1.98



### SPECIFICATIONS:

- SPRING ELEMENTS ARE POWDER COATED.
- ISOLATORS HAVE A MINIMUM Kx/Ky RATIO OF 1.0.
- ISOLATORS HAVE A TYPICAL OVERLOAD CAPACITY OF 50%.
- SPRING ELEMENTS ARE SAFE AT SOLID LOADING.
- NEOPRENE NOISE CAP CONTAINS AN EMBEDDED STEEL CUP.



KINETICS NOISE CONTROL, INC  
 6300 IRELAN PL,  
 DUBLIN, OH 43017 USA  
 Ph: 614 889-0480, Fax: 614 889-0540  
[www.kineticsnoise.com](http://www.kineticsnoise.com)

Model:  
**SHU**  
**2-100/1975**

By: **JMJ**  
 Date: **02/26/03**  
 Revised: **07/12/11 / BB**

Drawing No:  
**S-01.21-61**