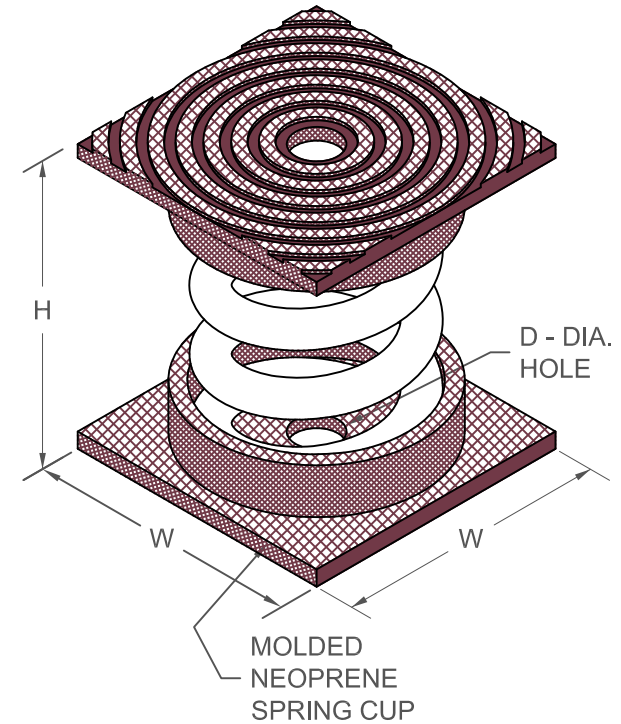


SHU 51 mm DEFLECTION ISOLATOR

S-I UNITS (mm AND kg)

TYPE	H	W	D
2-100/1975	174	111	25

STANDARD RATINGS		SPRING COIL					
TYPE	SIZE	COLOR		FREE		RATED	
		OUTER	INNER	HT.	O.D.	LOAD	DEFL.
SHU	2-100	GRAY		155	89	45	51
SHU	2-135	BEIGE		155	89	61	51
SHU	2-185	BROWN		155	89	84	51
SHU	2-225	GRAY	BROWN	155	89	102	51
SHU	2-250	BLUE		155	89	113	51
SHU	2-375	BLUE	BROWN	155	89	170	51
SHU	2-500	GREEN		155	89	227	51
SHU	2-625	GREEN	BROWN	155	89	283	51
SHU	2-750	BLACK		155	89	340	51
SHU	2-875	BLACK	BROWN	155	89	397	51
SHU	2-995	ORANGE		155	89	451	51
SHU	2-1120	ORANGE	BROWN	155	89	508	51
SHU	2-1400	ORANGE	GREEN	155	89	635	51
SHU	2-1600	RED		155	89	726	51
SHU	2-1975	RED	GREEN	155	89	896	50



SPECIFICATIONS:

- SPRING ELEMENTS ARE POWDER COATED.
- ISOLATORS HAVE A MINIMUM Kx/Ky RATIO OF 1.0.
- ISOLATORS HAVE A TYPICAL OVERLOAD CAPACITY OF 50%.
- SPRING ELEMENTS ARE SAFE AT SOLID LOADING.
- NEOPRENE NOISE CAP CONTAINS AN EMBEDDED STEEL CUP.



KINETICS NOISE CONTROL, INC
 6300 IRELAN PL,
 DUBLIN, OH 43017 USA
 Ph: 614 889-0480, Fax: 614 889-0540
 www.kineticsnoise.com

Model:
 SHU
 2-100/1975

By: JMJ
 Date: 02/26/03
 Revised: 07/12/11 / BB

Drawing No:
 S-01.21-61(M)