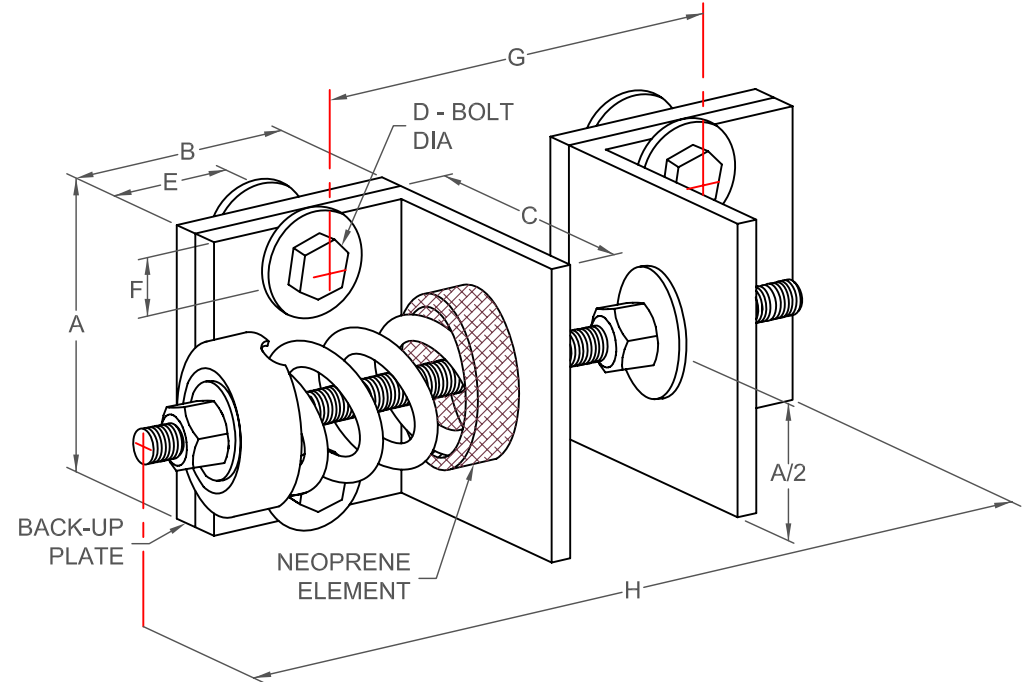


HSR 1" DEFLECTION ISOLATOR

IP UNITS (INCHES AND POUNDS)

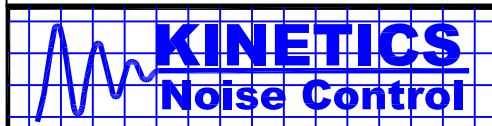
TYPE	A	B	C	D	E	F	Gmax	Gmin	Hmax
1-35/600	3.50	3.00	3.00	0.50	1.25	0.50	16.00	5.50	20.00
1-50/3500	5.00	3.00	4.00	0.50	1.00	0.50	14.75	6.50	20.00

STANDARD RATINGS		SPRING COIL					
TYPE	SIZE	COLOR		FREE		RATED	
		OUTER	INNER	HT.	O.D.	LOAD	DEFL.
HSR	1-35	BLUE		3.19	1.75	35	1.52
HSR	1-70	GREEN		3.19	1.75	70	1.36
HSR	1-120	GRAY		3.19	1.75	120	1.18
HSR	1-220	BROWN		3.19	1.75	220	1.07
HSR	1-370	ORANGE		3.19	1.75	370	0.96
HSR	1-500	BEIGE		3.19	1.75	500	1.00
HSR	1-600	CHROME		3.19	1.75	600	1.00
HSR	1-50	BEIGE		4.20	3.00	50	1.00
HSR	1-100	CHROME		4.20	3.00	100	1.00
HSR	1-250	BLUE		4.20	3.00	250	1.79
HSR	1-450	GREEN		4.20	3.00	450	1.54
HSR	1-625	BLACK		4.20	3.00	625	1.44
HSR	1-800	GRAY		4.20	3.00	800	1.31
HSR	1-1000	RED		4.20	3.00	1000	1.15
HSR	1-1250	BROWN		4.20	3.00	1250	1.09
HSR	1-1700	ORANGE		4.20	3.00	1700	0.95
HSR	1-2200	ORANGE	GRAY	4.20	3.00	2200	1.00
HSR	1-2465	BLUE		4.20	3.00	2465	1.00
HSR	1-2865	BLUE	GRAY	4.20	3.00	2865	1.00
HSR	1-3500	BLUE	BROWN	4.20	3.00	3500	1.00



SPECIFICATIONS:

- ISOLATORS ARE PROVIDED IN PAIRS.
- ISOLATORS HAVE A MINIMUM Kx/Ky RATIO OF 1.0.
- ISOLATORS HAVE A TYPICAL OVERLOAD CAPACITY OF 50%.
- SPRING ELEMENTS ARE SAFE AT SOLID LOADING.
- SPRING ELEMENTS ARE POWDER COATED.
- ALL HARDWARE TO BE ZINC PLATED.



KINETICS NOISE CONTROL, INC
 6300 IRELAN PL,
 DUBLIN, OH 43017 USA
 Ph: 614 889-0480, Fax: 614 889-0540
 www.kineticsnoise.com

Model:
HSR-1-35/3500

By: **JMJ**
 Date: **03/13/03**
 Revised: **02/11/08 / BB**

Drawing No:
S-01.21-11