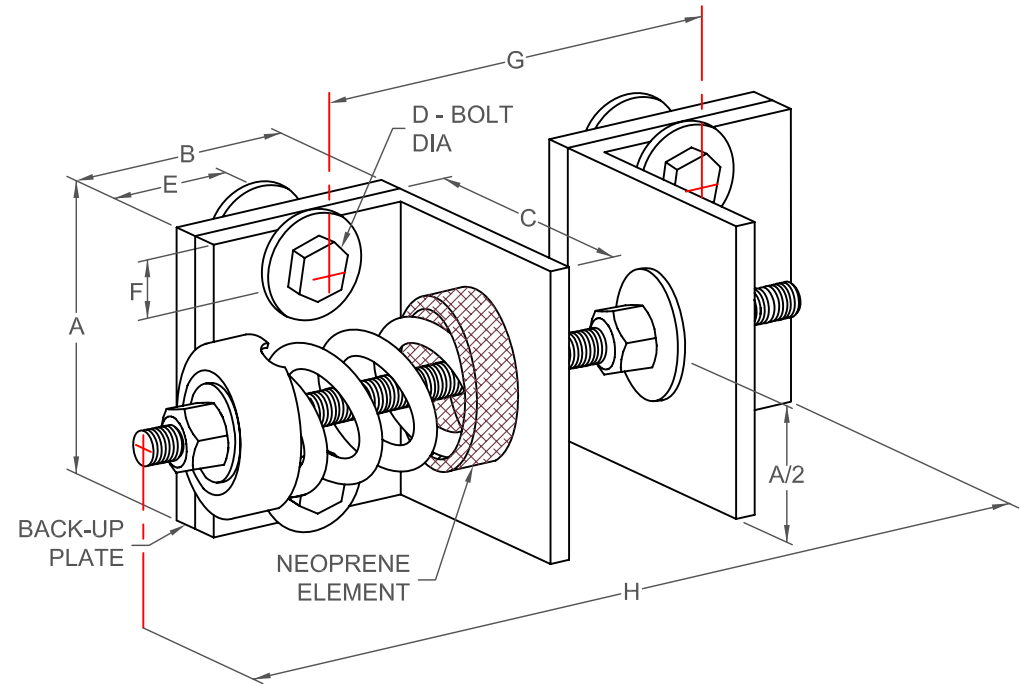


## HSR 25 mm DEFLECTION ISOLATOR

S-I UNITS (mm AND kg)

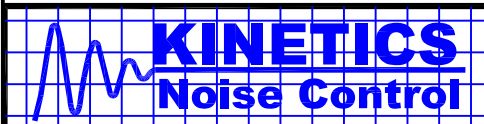
TYPE	A	B	C	D	E	F	Gmax	Gmin	Hmax
1-35/600	89	76	76	13	32	13	406	140	508
1-50/3500	127	76	102	13	25	13	375	165	508

STANDARD RATINGS		SPRING COIL					
		COLOR		FREE		RATED	
TYPE	SIZE	OUTER	INNER	HT.	O.D.	LOAD	DEFL.
HSR	1-35	BLUE		81	44	16	39
HSR	1-70	GREEN		81	44	32	35
HSR	1-120	GRAY		81	44	54	30
HSR	1-220	BROWN		81	44	100	27
HSR	1-370	ORANGE		81	44	168	24
HSR	1-500	BEIGE		81	44	227	25
HSR	1-600	CHROME		81	44	272	25
HSR	1-50	BEIGE		107	76	23	25
HSR	1-100	CHROME		107	76	45	25
HSR	1-250	BLUE		107	76	113	45
HSR	1-450	GREEN		107	76	204	39
HSR	1-625	BLACK		107	76	283	37
HSR	1-800	GRAY		107	76	363	33
HSR	1-1000	RED		107	76	454	29
HSR	1-1250	BROWN		107	76	567	28
HSR	1-1700	ORANGE		107	76	771	24
HSR	1-2200	ORANGE	GRAY	107	76	998	26
HSR	1-2465	BLUE		107	76	1118	25
HSR	1-2865	BLUE	GRAY	107	76	1300	25
HSR	1-3500	BLUE	BROWN	107	76	1588	25



### SPECIFICATIONS:

- ISOLATORS ARE PROVIDED IN PAIRS.
- ISOLATORS HAVE A MINIMUM K<sub>x</sub>/K<sub>y</sub> RATIO OF 1.0.
- ISOLATORS HAVE A TYPICAL OVERLOAD CAPACITY OF 50%.
- SPRING ELEMENTS ARE SAFE AT SOLID LOADING.
- SPRING ELEMENTS ARE POWDER COATED.
- ALL HARDWARE TO BE ZINC PLATED.



KINETICS NOISE CONTROL, INC  
 6300 IRELAN PL,  
 DUBLIN, OH 43017 USA  
 Ph: 614 889-0480, Fax: 614 889-0540  
 www.kineticsnoise.com

Model:  
**HSR-1-35/3500**

By: **JMJ**  
 Date: **03/13/03**  
 Revised: **02/11/08 / BB**

Drawing No:  
**S-01.21-11 METRIC**