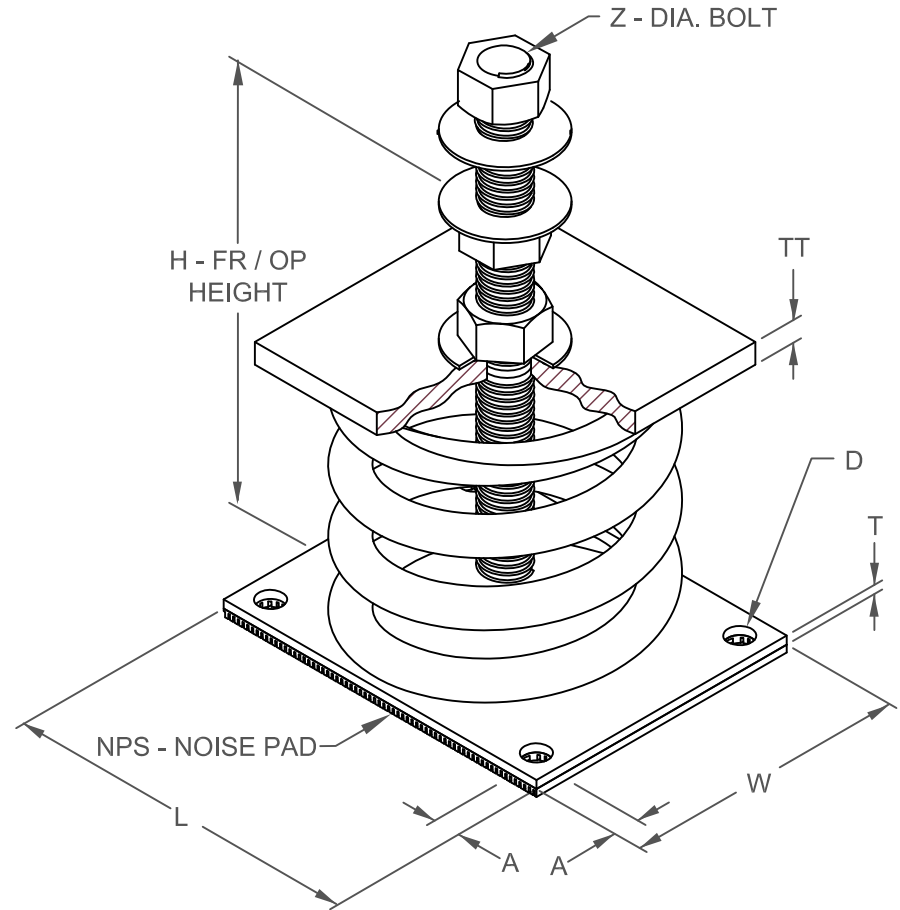


# FDS 102 mm DEFLECTION ISOLATOR

S-I UNITS (mm AND kg)

TYPE	L	W	T	A	D	H	TT	Z
4-2250B/5800B	254	203	12	19	17	387	16	32

STANDARD RATINGS		SPRING COIL					
TYPE	SIZE	COLOR		FREE		RATED	
		OUTER	INNER	HT.	O.D.	LOAD	DEFL.
FDS	4-2250B	GRAY		292	203	1021	102
FDS	4-2500B	GRAY	GRAY	292	203	1134	102
FDS	4-2750B	GRAY	GRAY	292	203	1247	102
FDS	4-3000B	GRAY	GRAY	292	203	1361	102
FDS	4-3250B	GRAY	GRAY	292	203	1474	102
FDS	4-3500B	GRAY	GRAY	292	203	1588	102
FDS	4-3850B	GRAY	GRAY	292	203	1746	102
FDS	4-4200B	GRAY		292	203	1905	102
FDS	4-4450B	GRAY	GRAY	292	203	2018	102
FDS	4-4700B	GRAY	GRAY	292	203	2132	102
FDS	4-4950B	GRAY	GRAY	292	203	2245	102
FDS	4-5200B	GRAY	GRAY	292	203	2359	102
FDS	4-5450B	GRAY	GRAY	292	203	2472	102
FDS	4-5800B	GRAY	GRAY	292	203	2631	102



## SPECIFICATIONS:

- LOAD PLATES ARE AFFIXED TO COIL SPRING.
- FREE STANDING COIL SPRING ISOLATOR.
- PAINTED SPRING ELEMENT.
- OTHER METALLIC COMPONENTS BRIGHT ZINC PLATED.
- MINIMUM OVERLOAD OF 50%.
- MINIMUM Kx/Ky RATIO OF 1.0.
- ALL ELEMENTS SAFE AT SOLID LOADING.
- ALL THREADED MEMBERS ARE AMERICAN STANDARD.
- FDS-B ISOLATORS ARE NOT SEISMICALLY RATED AND CANNOT BE COUNTED ON TO PROVIDE RESTRAINT IN SEISMIC OR WIND APPLICATIONS.



KINETICS NOISE CONTROL, INC  
6300 IRELAN PL,  
DUBLIN, OH 43017 USA  
Ph: 614 889-0480, Fax: 614 889-0540  
www.kineticsnoise.com

Model:  
FDS-4-  
2250B/5800B

By: JMJ  
Date: 04/12/02  
Revised: 10/21/09 / DCB

Drawing No:  
S-01.20-42  
METRIC