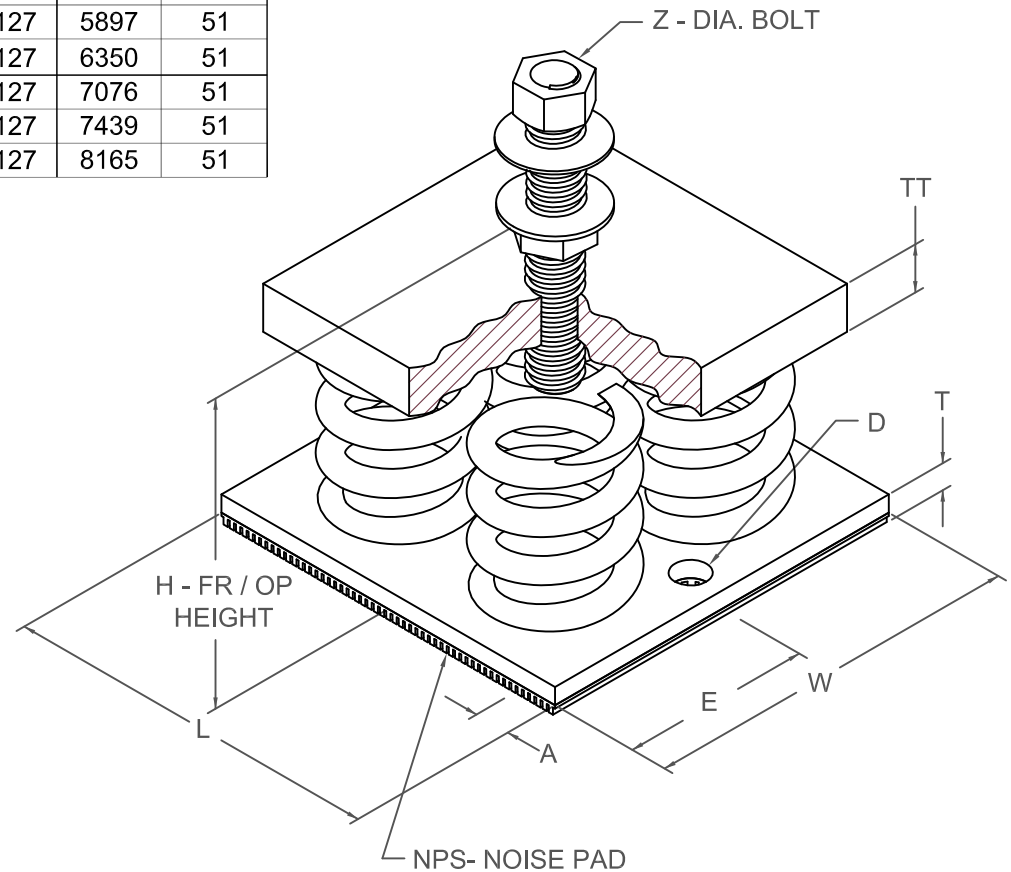


FDS 51 mm DEFLECTION ISOLATOR

S-I UNITS (mm AND kg)

TYPE	L	W	T	A	E	D	H	TT	Z
2-8000B/10000B	305	279	15	19	140	21	298	19	32
2-11000B/18000B	305	279	15	19	140	21	298	25	38

STANDARD RATINGS		SPRING COIL						
TYPE	SIZE	COLOR			FREE HT.	O.D.	RATED	
		OUTER	INNER1	INNER2			LOAD	DEFL.
FDS	2-8000B	GRAY			178	127	3629	51
FDS	2-10000B	GRAY			178	127	4536	51
FDS	2-11000B	GRAY	GRAY		178	127	4990	51
FDS	2-12100B	GRAY	GRAY		178	127	5488	51
FDS	2-13000B	GRAY	GRAY		178	127	5897	51
FDS	2-14000B	GRAY	GRAY		178	127	6350	51
FDS	2-15600B	GRAY	GRAY	GRAY	178	127	7076	51
FDS	2-16400B	GRAY	GRAY		178	127	7439	51
FDS	2-18000B	GRAY	GRAY	GRAY	178	127	8165	51



SPECIFICATIONS:

- LOAD PLATES ARE AFFIXED TO COIL SPRING.
- FREE STANDING COIL SPRING ISOLATOR.
- PAINTED SPRING ELEMENT.
- OTHER METALLIC COMPONENTS BRIGHT ZINC PLATED.
- MINIMUM OVERLOAD OF 50%.
- MINIMUM K_x/K_y RATIO OF 1.0.
- ALL ELEMENTS SAFE AT SOLID LOADING.
- ALL THREADED MEMBERS ARE AMERICAN STANDARD.
- FDS-B ISOLATORS ARE NOT SEISMICALLY RATED AND CANNOT BE COUNTED ON TO PROVIDE RESTRAINT IN SEISMIC OR WIND APPLICATIONS.



KINETICS NOISE CONTROL, INC
 6300 IRELAN PL,
 DUBLIN, OH 43017 USA
 Ph: 614 889-0480, Fax: 614 889-0540
 www.kineticsnoise.com

Model:
FDS-2-8000B/18000B

By: **JMJ**
 Date: **04/10/02**
 Revised: **10/21/09 / DCB**

Drawing No:
S-01.20-25 METRIC