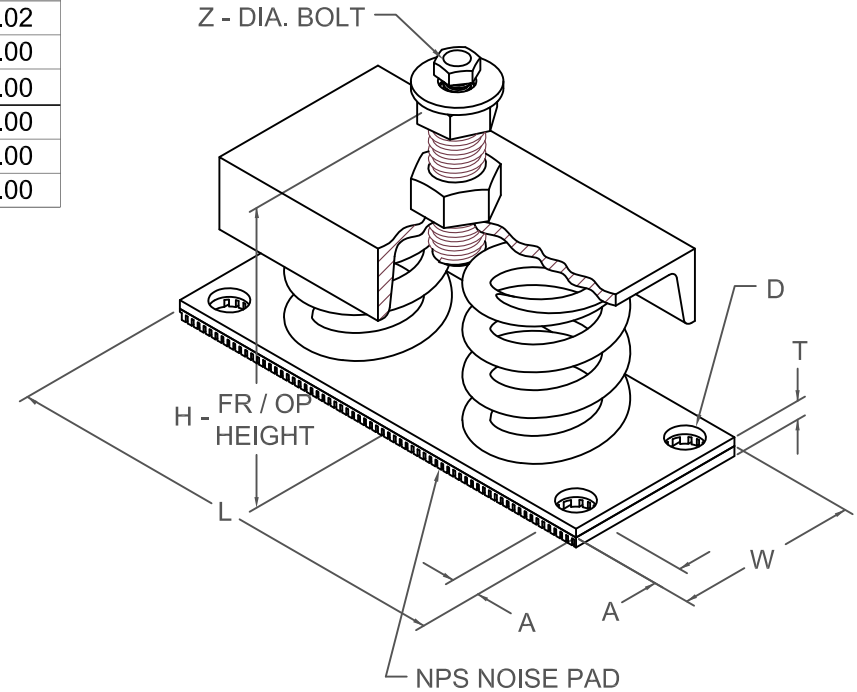


FDS 2" DEFLECTION ISOLATOR IP UNITS (INCHES AND POUNDS)

TYPE	L	W	T	A	D	H	Z
2-4000B/9000B	14.00	6.00	0.60	0.63	0.69	9.25	0.50

STANDARD RATINGS		SPRING COIL						
		COLOR			FREE	RATED		
TYPE	SIZE	OUTER	INNER1	INNER2	HT.	O.D.	LOAD	DEFL.
FDS	2-4000B	GRAY			7.00	5.00	4000	2.00
FDS	2-5000B	GRAY			7.00	5.00	5000	2.00
FDS	2-5500B	GRAY	GRAY		7.00	5.00	5500	2.00
FDS	2-6050B	GRAY	GRAY		7.00	5.00	6050	2.02
FDS	2-6500B	GRAY	GRAY		7.00	5.00	6500	2.00
FDS	2-7000B	GRAY	GRAY		7.00	5.00	7000	2.00
FDS	2-7800B	GRAY	GRAY	GRAY	7.00	5.00	7800	2.00
FDS	2-8200B	GRAY	GRAY		7.00	5.00	8200	2.00
FDS	2-9000B	GRAY	GRAY	GRAY	7.00	5.00	9000	2.00



SPECIFICATIONS:

- LOAD PLATES ARE AFFIXED TO COIL SPRING.
- FREE STANDING COIL SPRING ISOLATOR.
- PAINTED SPRING ELEMENT.
- OTHER METALLIC COMPONENTS BRIGHT ZINC PLATED.
- MINIMUM OVERLOAD OF 50%.
- MINIMUM Kx/Ky RATIO OF 1.0.
- ALL ELEMENTS SAFE AT SOLID LOADING.
- ALL THREADED MEMBERS ARE AMERICAN STANDARD.
- FDS-B ISOLATORS ARE NOT SEISMICALLY RATED AND CANNOT BE COUNTED ON TO PROVIDE RESTRAINT IN SEISMIC OR WIND APPLICATIONS.



KINETICS NOISE CONTROL, INC
6300 IRELAN PL,
DUBLIN, OH 43017 USA
Ph: 614 889-0480, Fax: 614 889-0540
www.kineticsnoise.com

Model:
**FDS-2-
4000B/9000B**

By: JMJ
Date: 04/18/02
Revised: 10/21/09 / DCB

Drawing No:
S-01.20-24