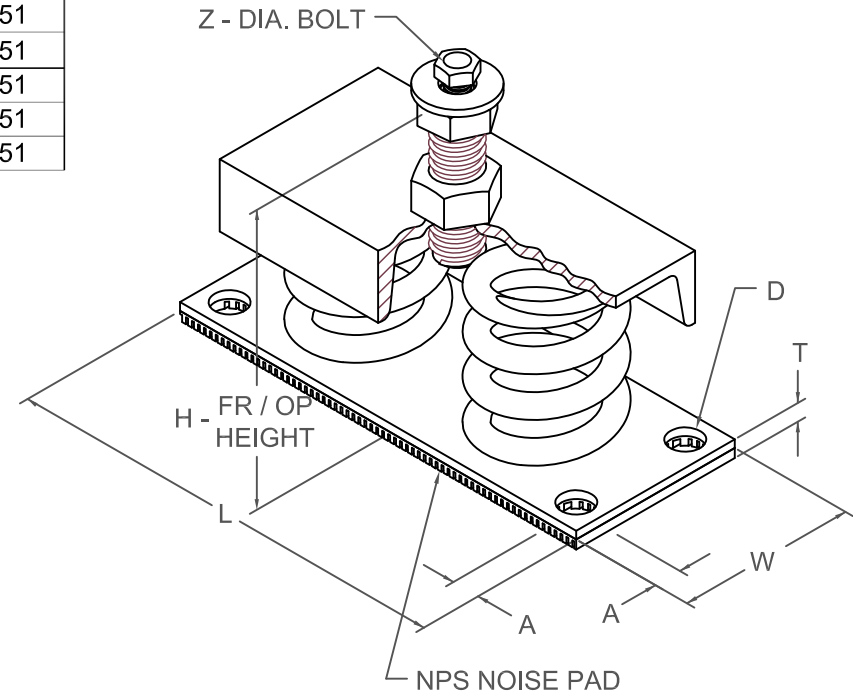


**FDS 51 mm DEFLECTION ISOLATOR**  
**S-I UNITS (mm AND kg)**

TYPE	L	W	T	A	D	H	Z
2-4000B/9000B	356	152	15	16	17	235	13

STANDARD RATINGS		SPRING COIL						
TYPE	SIZE	COLOR			FREE		RATED	
		OUTER	INNER1	INNER2	HT.	O.D.	LOAD	DEFL.
FDS	2-4000B	GRAY			178	127	1814	51
FDS	2-5000B	GRAY			178	127	2268	51
FDS	2-5500B	GRAY	GRAY		178	127	2495	51
FDS	2-6050B	GRAY	GRAY		178	127	2744	51
FDS	2-6500B	GRAY	GRAY		178	127	2948	51
FDS	2-7000B	GRAY	GRAY		178	127	3175	51
FDS	2-7800B	GRAY	GRAY	GRAY	178	127	3538	51
FDS	2-8200B	GRAY	GRAY		178	127	3719	51
FDS	2-9000B	GRAY	GRAY	GRAY	178	127	4082	51



**SPECIFICATIONS:**

- LOAD PLATES ARE AFFIXED TO COIL SPRING.
- FREE STANDING COIL SPRING ISOLATOR.
- PAINTED SPRING ELEMENT.
- OTHER METALLIC COMPONENTS BRIGHT ZINC PLATED.
- MINIMUM OVERLOAD OF 50%.
- MINIMUM Kx/Ky RATIO OF 1.0.
- ALL ELEMENTS SAFE AT SOLID LOADING.
- ALL THREADED MEMBERS ARE AMERICAN STANDARD.
- FDS-B ISOLATORS ARE NOT SEISMICALLY RATED AND CANNOT BE COUNTED ON TO PROVIDE RESTRAINT IN SEISMIC OR WIND APPLICATIONS.



KINETICS NOISE CONTROL, INC  
 6300 IRELAN PL,  
 DUBLIN, OH 43017 USA  
 Ph: 614 889-0480, Fax: 614 889-0540  
 www.kineticsnoise.com

Model:  
**FDS-2-4000B/9000B**

By: **JMJ**  
 Date: **04/18/02**  
 Revised: **10/21/09 / DCB**

Drawing No:  
**S-01.20-24 METRIC**