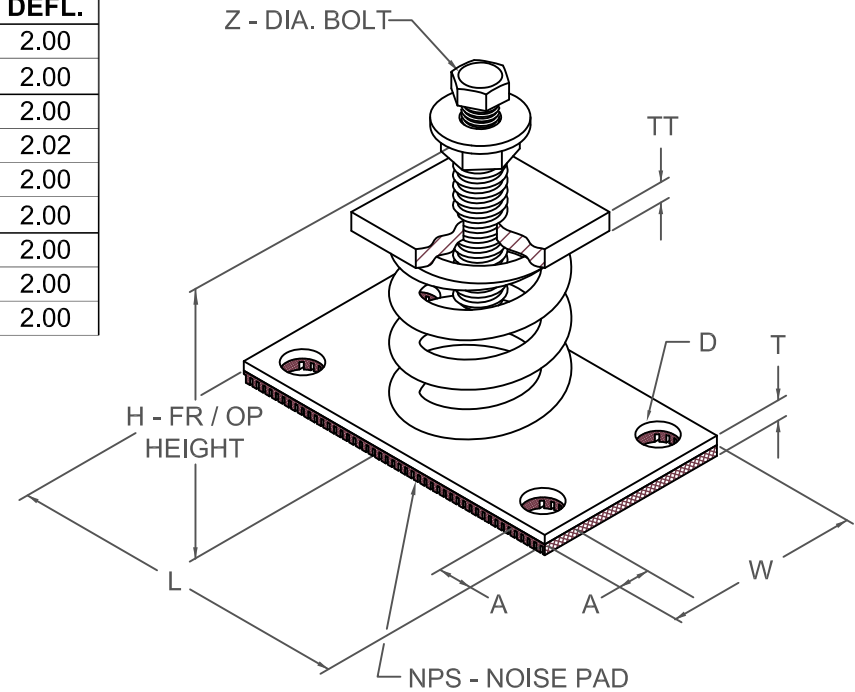


FDS 2" DEFLECTION ISOLATOR
IP UNITS (INCHES AND POUNDS)

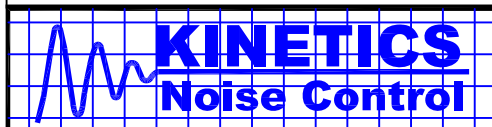
TYPE	L	W	T	A	D	H	TT	Z
2-2000B/2500B	7.00	5.00	0.41	0.63	0.56	8.75	0.50	0.38
2-2750B/4500B	7.00	5.00	0.41	0.63	0.56	8.75	0.63	0.50

STANDARD RATINGS		SPRING COIL						
TYPE	SIZE	COLOR			FREE HT.	O.D.	RATED	
		OUTER	INNER1	INNER2			LOAD	DEFL.
FDS	2-2000B	GRAY			7.00	5.00	2000	2.00
FDS	2-2500B	GRAY			7.00	5.00	2500	2.00
FDS	2-2750B	GRAY	GRAY		7.00	5.00	2750	2.00
FDS	2-3025B	GRAY	GRAY		7.00	5.00	3025	2.02
FDS	2-3250B	GRAY	GRAY		7.00	5.00	3250	2.00
FDS	2-3500B	GRAY	GRAY		7.00	5.00	3500	2.00
FDS	2-3900B	GRAY	GRAY	GRAY	7.00	5.00	3900	2.00
FDS	2-4100B	GRAY	GRAY		7.00	5.00	4100	2.00
FDS	2-4500B	GRAY	GRAY	GRAY	7.00	5.00	4500	2.00



SPECIFICATIONS:

- LOAD PLATES ARE AFFIXED TO COIL SPRING.
- FREE STANDING COIL SPRING ISOLATOR.
- PAINTED SPRING ELEMENT.
- OTHER METALLIC COMPONENTS BRIGHT ZINC PLATED.
- MINIMUM OVERLOAD OF 50%.
- MINIMUM Kx/Ky RATIO OF 1.0.
- ALL ELEMENTS SAFE AT SOLID LOADING.
- ALL THREADED MEMBERS ARE AMERICAN STANDARD.
- FDS-B ISOLATORS ARE NOT SEISMICALLY RATED AND CANNOT BE COUNTED ON TO PROVIDE RESTRAINT IN SEISMIC OR WIND APPLICATIONS.



KINETICS NOISE CONTROL, INC
 6300 IRELAN PL,
 DUBLIN, OH 43017 USA
 Ph: 614 889-0480, Fax: 614 889-0540
 www.kineticsnoise.com

Model:
**FDS-2-
 2000B/4500B**

By: **JMJ**
 Date: **04/17/02**
 Revised: **10/21/09 / DCB**

Drawing No:
S-01.20-23