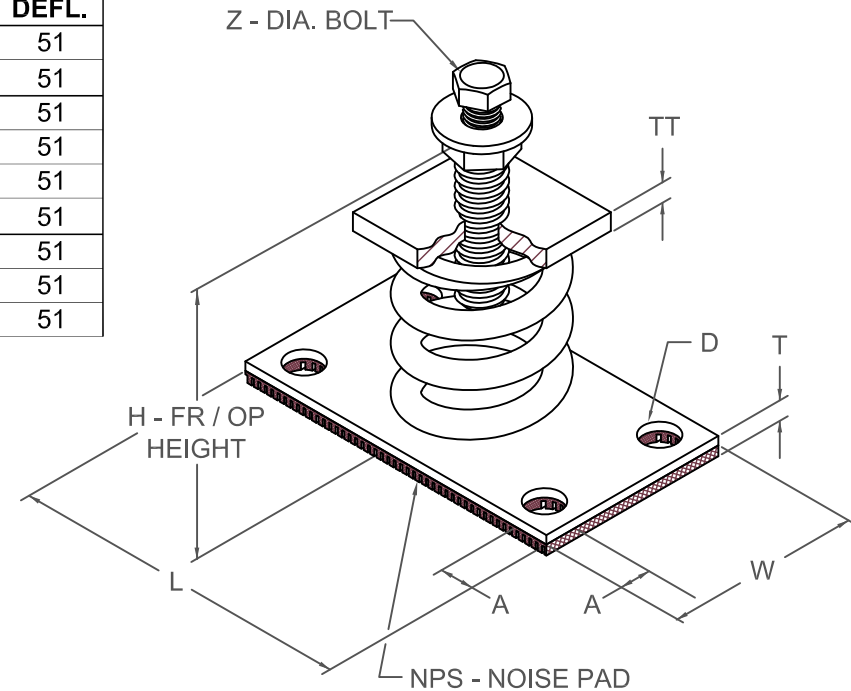


FDS 51 mm DEFLECTION ISOLATOR

S-I UNITS (mm AND kg)

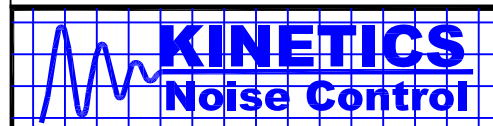
TYPE	L	W	T	A	D	H	TT	Z
2-2000B/2500B	178	127	10	16	14	222	13	10
2-2750B/4500B	178	127	10	16	14	222	16	13

STANDARD RATINGS		SPRING COIL						
TYPE	SIZE	COLOR			FREE		RATED	
		OUTER	INNER1	INNER2	HT.	O.D.	LOAD	DEFL.
FDS	2-2000B	GRAY			178	127	907	51
FDS	2-2500B	GRAY			178	127	1134	51
FDS	2-2750B	GRAY	GRAY		178	127	1247	51
FDS	2-3025B	GRAY	GRAY		178	127	1372	51
FDS	2-3250B	GRAY	GRAY		178	127	1474	51
FDS	2-3500B	GRAY	GRAY		178	127	1588	51
FDS	2-3900B	GRAY	GRAY	GRAY	178	127	1769	51
FDS	2-4100B	GRAY	GRAY		178	127	1860	51
FDS	2-4500B	GRAY	GRAY	GRAY	178	127	2041	51



SPECIFICATIONS:

- LOAD PLATES ARE AFFIXED TO COIL SPRING.
- FREE STANDING COIL SPRING ISOLATOR.
- PAINTED SPRING ELEMENT.
- OTHER METALLIC COMPONENTS BRIGHT ZINC PLATED.
- MINIMUM OVERLOAD OF 50%.
- MINIMUM Kx/Ky RATIO OF 1.0.
- ALL ELEMENTS SAFE AT SOLID LOADING.
- ALL THREADED MEMBERS ARE AMERICAN STANDARD.
- FDS-B ISOLATORS ARE NOT SEISMICALLY RATED AND CANNOT BE COUNTED ON TO PROVIDE RESTRAINT IN SEISMIC OR WIND APPLICATIONS.



KINETICS NOISE CONTROL, INC
 6300 IRELAN PL,
 DUBLIN, OH 43017 USA
 Ph: 614 889-0480, Fax: 614 889-0540
 www.kineticsnoise.com

Model:
**FDS-2-
 2000B/4500B**

By: **JMJ**
 Date: **04/17/02**
 Revised: **10/21/09 / DCB**

Drawing No:
**S-01.20-23
 METRIC**