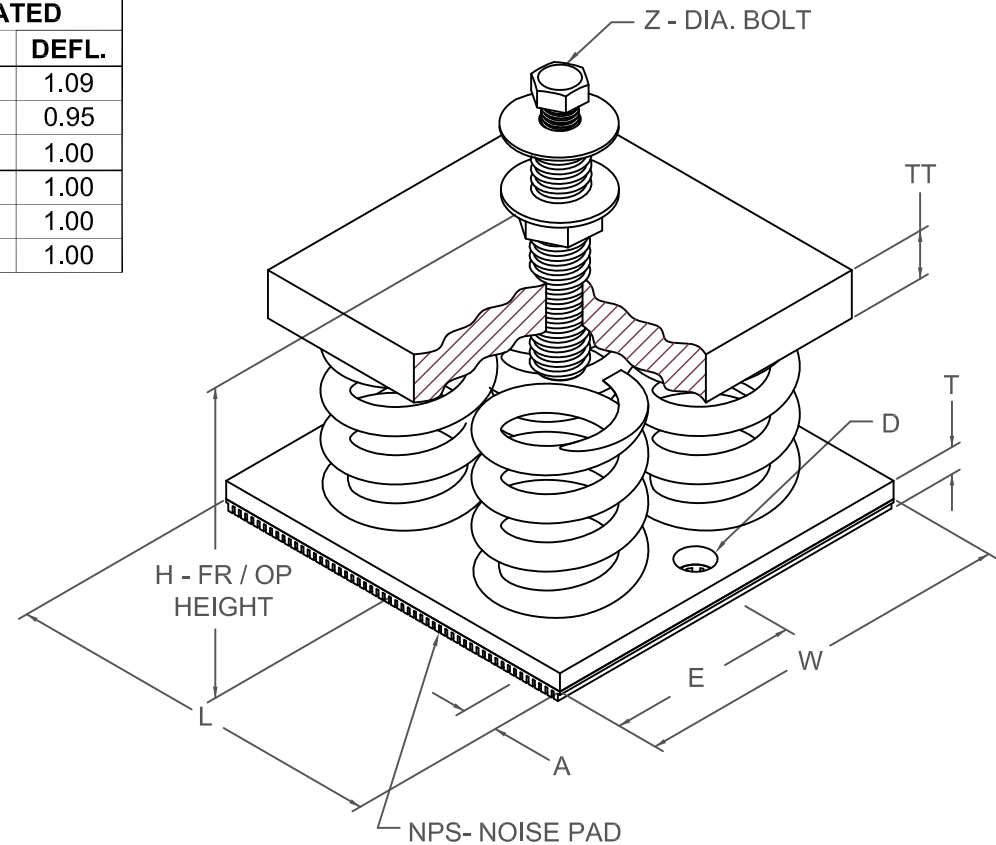


FDS 1" DEFLECTION ISOLATOR IP UNITS (INCHES AND POUNDS)

TYPE	L	W	T	A	E	D	H	TT	Z
1-5000B/8800B	8.00	8.00	0.60	0.75	4.00	0.69	6.88	1.00	0.50
1-9860B/14000B	8.00	8.00	0.60	0.75	4.00	0.69	6.88	1.00	0.63

STANDARD RATINGS		SPRING COIL					
		COLOR		FREE HT.	O.D.	RATED	
TYPE	SIZE	OUTER	INNER			LOAD	DEFL.
FDS	1-5000B	GRAY		4.20	3.00	5000	1.09
FDS	1-6800B	GRAY		4.20	3.00	6800	0.95
FDS	1-8800B	GRAY	GRAY	4.20	3.00	8800	1.00
FDS	1-9860B	GRAY		4.20	3.00	9860	1.00
FDS	1-11460B	GRAY	GRAY	4.20	3.00	11460	1.00
FDS	1-14000B	GRAY	GRAY	4.20	3.00	14000	1.00



SPECIFICATIONS:

- LOAD PLATES ARE AFFIXED TO COIL SPRING.
- FREE STANDING COIL SPRING ISOLATOR.
- PAINTED SPRING ELEMENT.
- OTHER METALLIC COMPONENTS BRIGHT ZINC PLATED.
- MINIMUM OVERLOAD OF 50%.
- MINIMUM K_x/K_y RATIO OF 1.0.
- ALL ELEMENTS SAFE AT SOLID LOADING.
- ALL THREADED MEMBERS ARE AMERICAN STANDARD.
- FDS-B ISOLATORS ARE NOT SEISMICALLY RATED AND CANNOT BE COUNTED ON TO PROVIDE RESTRAINT IN SEISMIC OR WIND APPLICATIONS.



KINETICS NOISE CONTROL, INC
6300 IRELAN PL,
DUBLIN, OH 43017 USA
Ph: 614 889-0480, Fax: 614 889-0540
www.kineticsnoise.com

Model:
FDS-1-
5000B/14000B

By: JMJ
Date: 04/10/02
Revised: 10/21/09 / DCB

Drawing No:
S-01.20-14