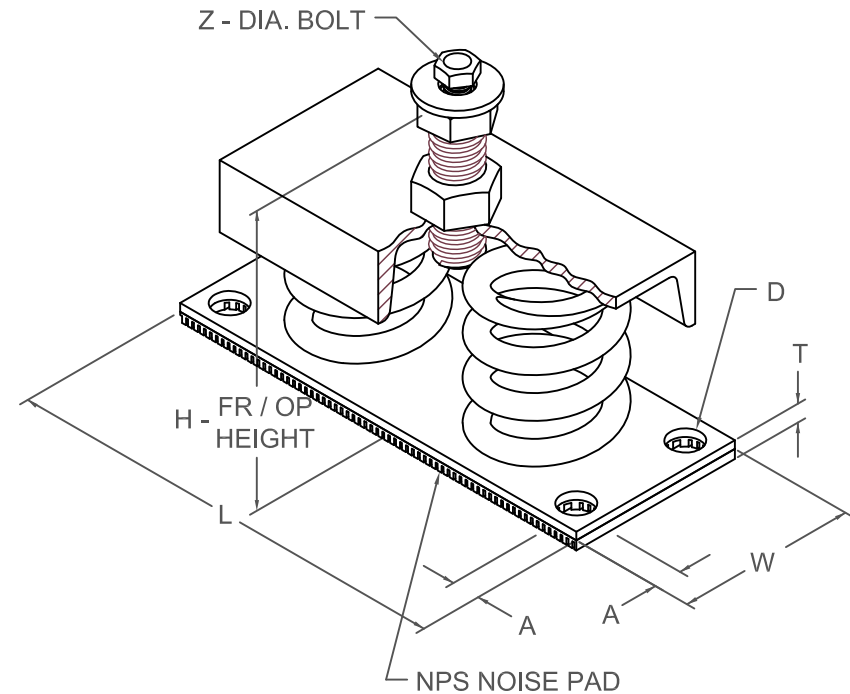


FDS 25 mm DEFLECTION ISOLATOR

S-I UNITS (mm AND kg)

TYPE	L	W	T	A	D	H	Z
1-2500B/7000B	254	102	10	16	17	159	13

STANDARD RATINGS		SPRING COIL					
TYPE	SIZE	COLOR		FREE		RATED	
		OUTER	INNER	HT.	O.D.	LOAD	DEFL.
FDS	1-2500B	GRAY	GRAY	107	76	1134	28
FDS	1-3400B	GRAY	GRAY	107	76	1542	24
FDS	1-4400B	GRAY	GRAY	107	76	1996	26
FDS	1-4930B	GRAY	GRAY	107	76	2236	25
FDS	1-5730B	GRAY	GRAY	107	76	2599	25
FDS	1-7000B	GRAY	GRAY	107	76	3175	25



SPECIFICATIONS:

- LOAD PLATES ARE AFFIXED TO COIL SPRING.
- FREE STANDING COIL SPRING ISOLATOR.
- PAINTED SPRING ELEMENT.
- OTHER METALLIC COMPONENTS BRIGHT ZINC PLATED.
- MINIMUM OVERLOAD OF 50%.
- MINIMUM Kx/Ky RATIO OF 1.0.
- ALL ELEMENTS SAFE AT SOLID LOADING.
- ALL THREADED MEMBERS ARE AMERICAN STANDARD.
- FDS-B ISOLATORS ARE NOT SEISMICALLY RATED AND CANNOT BE

COUNTED

ON TO PROVIDE RESTRAINT IN SEISMIC OR WIND APPLICATIONS.



KINETICS NOISE CONTROL, INC
6300 IRELAN PL,
DUBLIN, OH 43017 USA
Ph: 614 889-0480, Fax: 614 889-0540
www.kineticsnoise.com

Model:
FDS-1-
2500B/7000B

By: JMJ
Date: 04/09/02
Revised: 10/21/09 / DCB

Drawing No:
S-01.20-13
METRIC