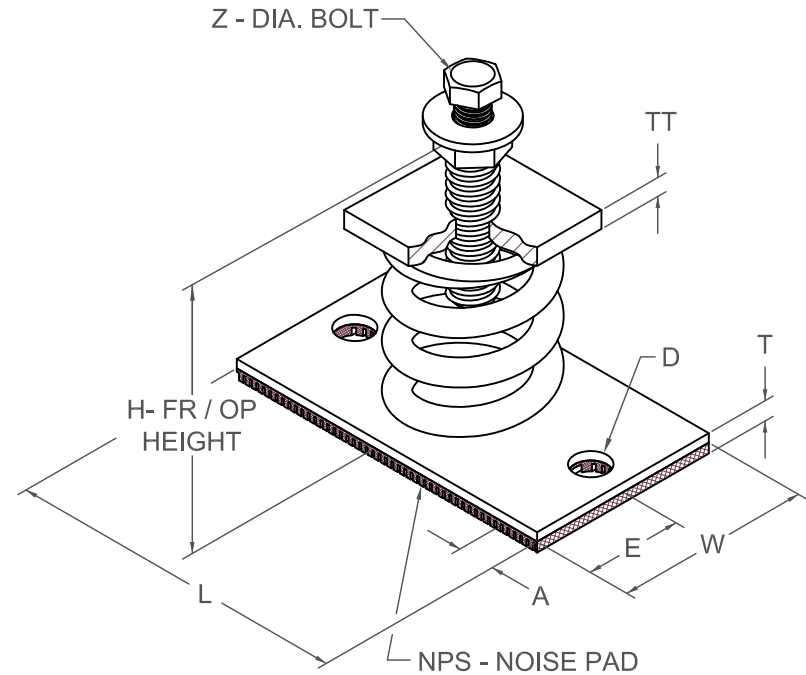


**FDS 1" DEFLECTION ISOLATOR**  
**IP UNITS (INCHES AND POUNDS)**

TYPE	L	W	T	A	E	D	H	TT	Z
1-120B/805B	4.50	2.50	0.41	0.50	1.25	0.56	4.25	0.10	0.38
1-50B/3500B	7.00	4.00	0.41	0.75	2.00	0.69	5.63	0.38	0.38

STANDARD RATINGS		SPRING COIL					
TYPE	SIZE	COLOR		FREE		RATED	
		OUTER	INNER	HT.	O.D.	LOAD	DEFL.
FDS	1-120B	GRAY		3.19	1.75	120	1.18
FDS	1-220B	GRAY		3.19	1.75	220	1.07
FDS	1-370B	GRAY		3.19	1.75	370	0.96
FDS	1-500B	GRAY		3.19	1.75	500	1.00
FDS	1-600B	GRAY		3.19	1.75	600	1.00
FDS	1-700B	GRAY	GRAY	3.19	1.75	700	1.00
FDS	1-805B	GRAY	GRAY	3.19	1.75	805	1.01
FDS	1-50B	GRAY		4.20	3.00	50	1.00
FDS	1-100B	GRAY		4.20	3.00	100	1.00
FDS	1-250B	GRAY		4.20	3.00	250	1.79
FDS	1-450B	GRAY		4.20	3.00	450	1.54
FDS	1-625B	GRAY		4.20	3.00	625	1.44
FDS	1-800B	GRAY		4.20	3.00	800	1.31
FDS	1-1000B	GRAY		4.20	3.00	1000	1.15
FDS	1-1250B	GRAY		4.20	3.00	1250	1.09
FDS	1-1700B	GRAY		4.20	3.00	1700	0.95
FDS	1-2200B	GRAY	GRAY	4.20	3.00	2200	1.00
FDS	1-2465B	GRAY		4.20	3.00	2465	1.00
FDS	1-2865B	GRAY	GRAY	4.20	3.00	2865	1.00
FDS	1-3500B	GRAY	GRAY	4.20	3.00	3500	1.00



**SPECIFICATIONS:**

- LOAD PLATES ARE AFFIXED TO COIL SPRING.
- FREE STANDING COIL SPRING ISOLATOR.
- PAINTED SPRING ELEMENT.
- OTHER METALLIC COMPONENTS BRIGHT ZINC PLATED.
- MINIMUM OVERLOAD OF 50%.
- MINIMUM Kx/Ky RATIO OF 1.0.
- ALL ELEMENTS SAFE AT SOLID LOADING.
- ALL THREADED MEMBERS ARE AMERICAN STANDARD.
- FDS-B ISOLATORS ARE NOT SEISMICALLY RATED AND CANNOT BE COUNTED ON TO PROVIDE RESTRAINT IN SEISMIC OR WIND APPLICATIONS.



KINETICS NOISE CONTROL, INC  
 6300 IRELAN PL,  
 DUBLIN, OH 43017 USA  
 Ph: 614 889-0480, Fax: 614 889-0540  
 www.kineticsnoise.com

Model:  
**FDS-1-  
 50B/3500B**

By: JMJ  
 Date: 04/11/02  
 Revised: 10/21/09 / DCB

Drawing No:  
**S-01.20-12**