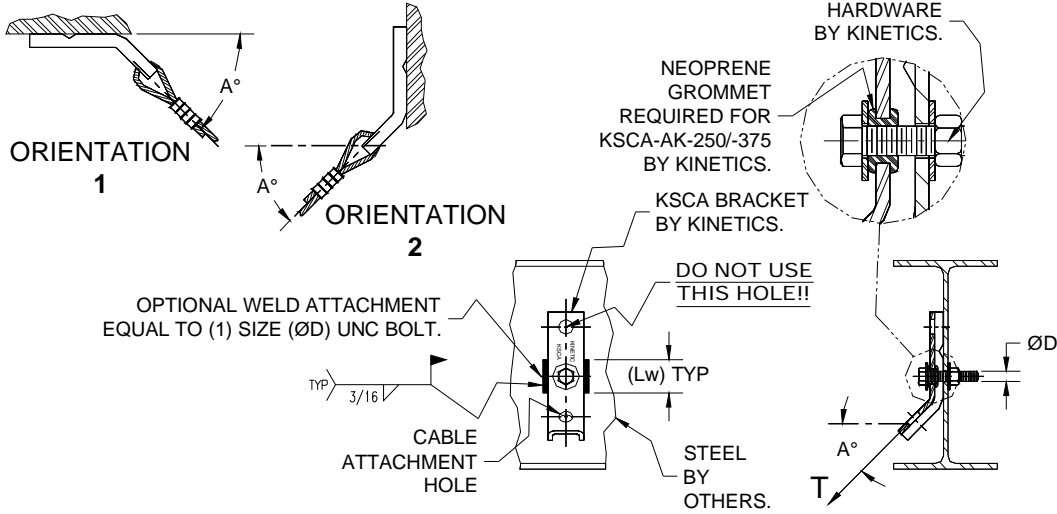


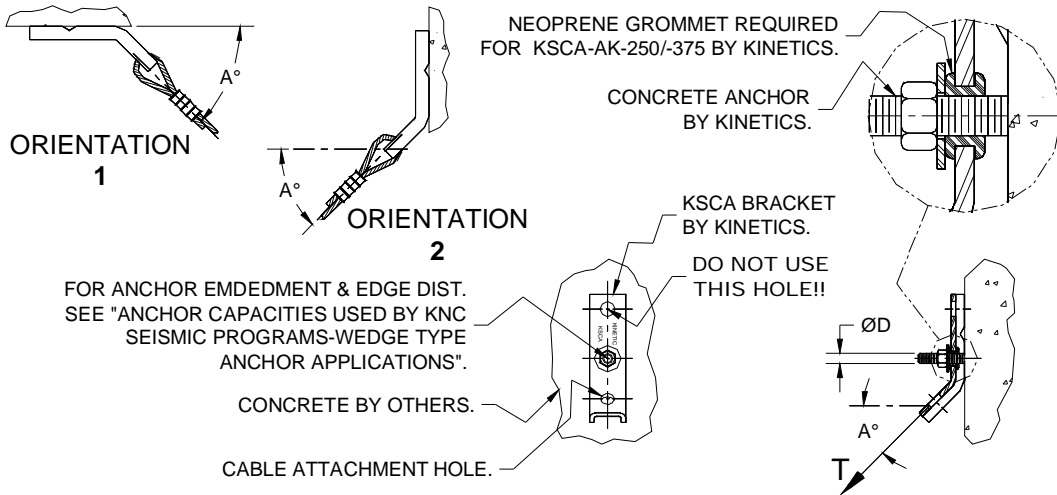
THROUGH BOLTED OR WELDED

MODEL	BOLT/ ANCHOR SIZE (ØD) (UNC)	WELD LENGTH (Lw)	MAX. HORIZ. FORCE ORIENTATION 1 @ A=0°		MAX. HORIZ. FORCE ORIENTATION 1 @ A=30°		MAX. HORIZ. FORCE ORIENTATION 1 @ A=45°		MAX. HORIZ. FORCE ORIENTATION 1 @ A=60°		MAX. HORIZ. FORCE ORIENTATION 2 @ A=0°		MAX. HORIZ. FORCE ORIENTATION 2 @ A=30°		MAX. HORIZ. FORCE ORIENTATION 2 @ A=45°		MAX. HORIZ. FORCE ORIENTATION 2 @ A=60°	
			lbs.	CLASS	lbs.	CLASS	lbs.	CLASS	lbs.	CLASS	lbs.	CLASS	lbs.	CLASS	lbs.	CLASS	lbs.	CLASS
KSCA-AK-250	0.25	1.00	570	II	985	II	695	II	405	I	625	II	705	II	695	II	570	II
KSCA-AK-375	0.38	1.25	1,175	III	2,405	III	1,700	III	995	II	1,175	III	1,725	III	1,700	III	1,385	III
KSCA-AK-500	0.50	2.00	1,175	III	2,970	IV	2,970	IV	1,820	III	1,175	III	2,970	IV	2,970	IV	2,540	IV



ANCHORED TO CONCRETE

MODEL	BOLT/ ANCHOR SIZE (ØD) (UNC)	MAX. HORIZ. FORCE ORIENTATION 1 @ A=0°		MAX. HORIZ. FORCE ORIENTATION 1 @ A=30°		MAX. HORIZ. FORCE ORIENTATION 1 @ A=45°		MAX. HORIZ. FORCE ORIENTATION 1 @ A=60°		MAX. HORIZ. FORCE ORIENTATION 2 @ A=0°		MAX. HORIZ. FORCE ORIENTATION 2 @ A=30°		MAX. HORIZ. FORCE ORIENTATION 2 @ A=45°		MAX. HORIZ. FORCE ORIENTATION 2 @ A=60°	
		lbs.	CLASS	lbs.	CLASS	lbs.	CLASS	lbs.	CLASS	lbs.	CLASS	lbs.	CLASS	lbs.	CLASS	lbs.	CLASS
KSCA-AK-250	0.25	200	-0-	415	I	255	I	140	-0-	215	-0-	240	-0-	255	I	240	-0-
KSCA-AK-375	0.38	435	I	990	II	560	II	300	I	450	I	520	II	560	II	570	II
KSCA-AK-500	0.50	665	II	1,620	III	865	II	455	I	670	II	785	II	865	II	935	II



KSCA-AK CABLE ANCHORAGE HARDWARE KIT FOR KSCA BRACKETS

PAGE 1 OF 1 - DRAWING # S-90.385-2A & S-90.385-2B

RELEASE DATE: 5/21/04



DUBLIN, OHIO, USA • MISSISSAUGA, ONTARIO, CANADA

Toll Free (USA only): 800-959-1229
 International: 614-889-0480
 Fax: 614-889-0540
 World Wide Web: www.kineticsnoise.com
 Email: sales@kineticsnoise.com

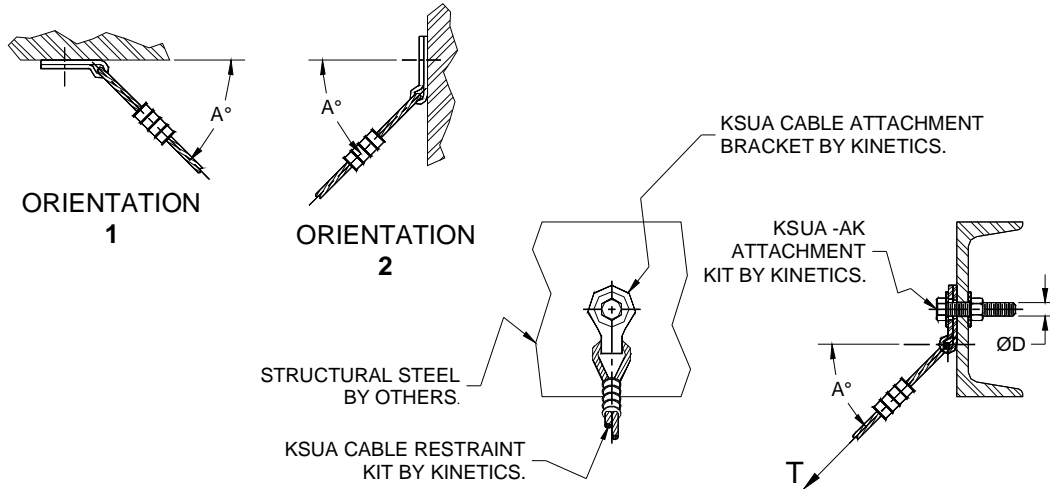
DOCUMENT:

P7.4.1



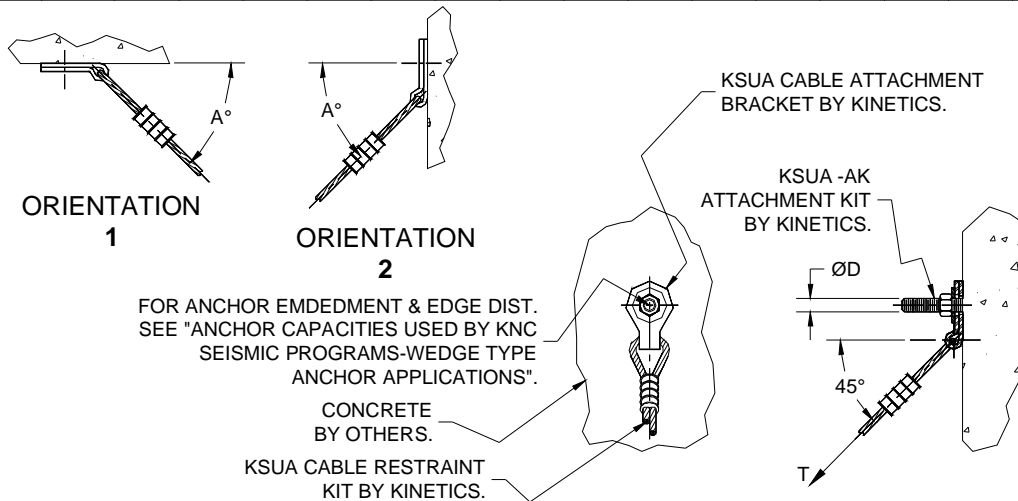
THROUGH BOLTED OR WELDED

MODEL	BOLT/ ANCHOR SIZE (ØD) (UNC)			MAX. HORIZ. FORCE ORIENTATION 1 @ A=0°		MAX. HORIZ. FORCE ORIENTATION 1 @ A=30°		MAX. HORIZ. FORCE ORIENTATION 1 @ A=45°		MAX. HORIZ. FORCE ORIENTATION 1 @ A=60°		MAX. HORIZ. FORCE ORIENTATION 2 @ A=0°		MAX. HORIZ. FORCE ORIENTATION 2 @ A=30°		MAX. HORIZ. FORCE ORIENTATION 2 @ A=45°		MAX. HORIZ. FORCE ORIENTATION 2 @ A=60°		
	in.	lbs.	CLASS	lbs.	CLASS	lbs.	CLASS	lbs.	CLASS	lbs.	CLASS	lbs.	CLASS	lbs.	CLASS	lbs.	CLASS	lbs.	CLASS	
KSUA-AK-250	0.25	1,085	III	625	II	450	I	290	I	540	II	505	II	450	I	360	I			
KSUA-AK-375	0.38	2,650	IV	1,530	III	1,095	III	710	II	1,325	III	1,230	III	1,095	III	880	II			
KSUA-AK-500	0.50	4,850	IV	2,800	IV	2,010	IV	1,300	III	2,425	IV	2,250	IV	2,010	IV	1,615	III			



ANCHORED TO CONCRETE

MODEL	BOLT/ ANCHOR SIZE (ØD) (UNC)			MAX. HORIZ. FORCE ORIENTATION 1 @ A=0°		MAX. HORIZ. FORCE ORIENTATION 1 @ A=30°		MAX. HORIZ. FORCE ORIENTATION 1 @ A=45°		MAX. HORIZ. FORCE ORIENTATION 1 @ A=60°		MAX. HORIZ. FORCE ORIENTATION 2 @ A=0°		MAX. HORIZ. FORCE ORIENTATION 2 @ A=30°		MAX. HORIZ. FORCE ORIENTATION 2 @ A=45°		MAX. HORIZ. FORCE ORIENTATION 2 @ A=60°		
	in.	lbs.	CLASS	lbs.	CLASS	lbs.	CLASS	lbs.	CLASS	lbs.	CLASS	lbs.	CLASS	lbs.	CLASS	lbs.	CLASS	lbs.	CLASS	
KSUA-AK-250	0.25	530	II	260	I	170	-0-	100	-0-	185	-0-	175	-0-	170	-0-	150	-0-			
KSUA-AK-375	0.38	1,360	III	575	II	360	I	220	-0-	390	I	380	I	360	I	330	I			
KSUA-AK-500	0.50	2,390	IV	885	II	550	II	330	I	580	II	570	II	550	II	510	II			



FOR ANCHOR EMBEDMENT & EDGE DIST. SEE "ANCHOR CAPACITIES USED BY KNC SEISMIC PROGRAMS-WEDGE TYPE ANCHOR APPLICATIONS".

KSUA-AK CABLE ANCHORAGE HARDWARE KIT FOR KSUA BRACKETS

PAGE 1 OF 1 - DRAWING # S-90.385-5A & S-90.385-5B

RELEASE DATE: 5/21/04



Toll Free (USA only): 800-959-1229
 International: 614-889-0480
 Fax: 614-889-0540
 World Wide Web: www.kineticsnoise.com
 Email: sales@kineticsnoise.com

DOCUMENT:

P7.4.2

