

SPRING DATA

SPRING ISOLATORS ARE COMPUTER SELECTED AND LOCATED TO PROVIDE A NOMINAL 1 INCH (25 mm) STATIC DEFLECTION.

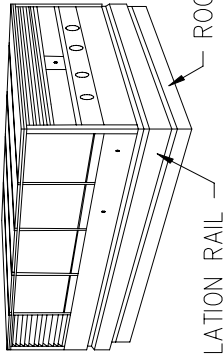
SPRING ISOLATORS HAVE A MINIMUM K_x/K_y OF 1.2

SPRING ISOLATORS HAVE A TYPICAL OVERLOAD CAPACITY OF 50%

SPRING ISOLATORS ARE SAFE AT SOLID LOADING

SPRING ISOLATORS ARE PAINTED.

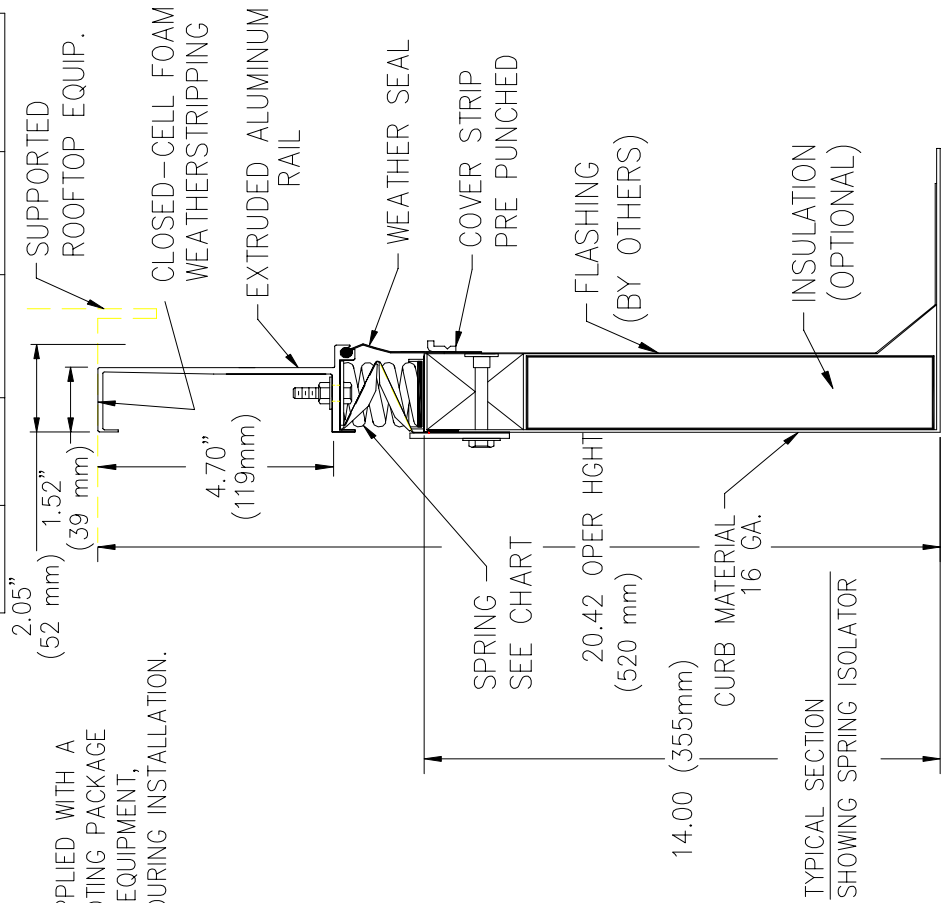
ROOFTOP EQUIPMENT



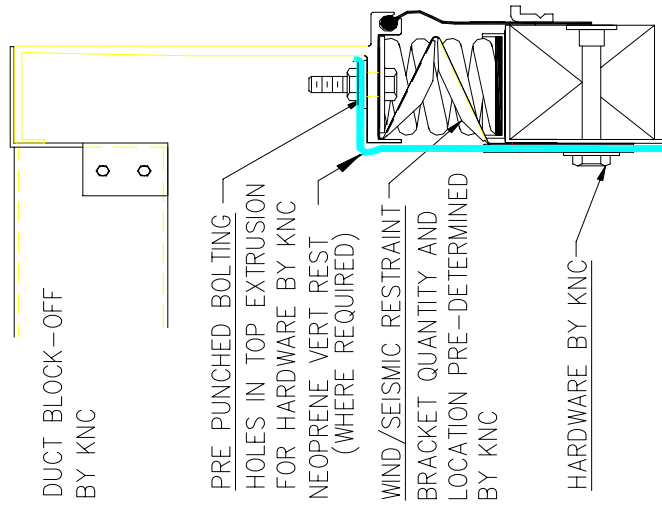
ISOLATION RAIL ROOF CURB

SPECIAL NOTE:
ALL UNITS SUPPLIED WITH A TROUBLE SHOOTING PACKAGE FOR LEVELING EQUIPMENT, IF REQUIRED, DURING INSTALLATION.

RATED LOAD LB/KG	RATED DEFL. IN/mm	SPRING FR. HT. IN/mm	SPRING O. D. IN/mm	COLOR CODE
30/14	1.00/25	2.50/63	1.46/37	BLUE
65/30	1.00/25	2.50/63	1.46/37	GREEN
120/55	1.00/25	2.50/63	1.46/37	GRAY
205/93	1.00/25	2.50/63	1.46/37	BROWN



TYPICAL SECTION SHOWING SPRING ISOLATOR



TYPICAL SECTION SHOWING WIND/SEISMIC RESTRAINT

NOTE:
IF SEISMIC APPLICATION IS REQUIRED CONSULT SALES REPRESENTATIVE.

MODEL KSCR-1 ISOLATION RAIL

PAGE 1 OF 2 - DRAWING # S-88.500

RELEASE DATE: 5/17/04



DUBLIN, OHIO, USA • MISSISSAUGA, ONTARIO, CANADA

Toll Free (USA only): 800-959-1229
 International: 614-889-0480
 Fax: 614-889-0540
 World Wide Web: www.kineticsnoise.com
 Email: sales@kineticsnoise.com

DOCUMENT:
P6.2.3



SPRING DATA

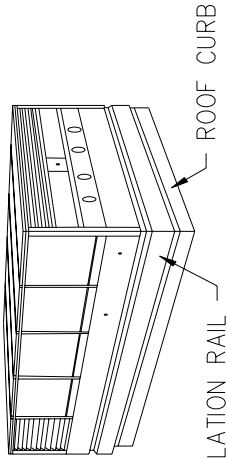
SPRING ISOLATORS ARE COMPUTER SELECTED AND LOCATED TO PROVIDE A NOMINAL 2 INCH (50 mm) STATIC DEFLECTION.

SPRING ISOLATORS HAVE A MINIMUM K_x/K_y OF 1.0

SPRING ISOLATORS ARE SAFE AT SOLID LOADING

SPRING ISOLATORS ARE PAINTED.

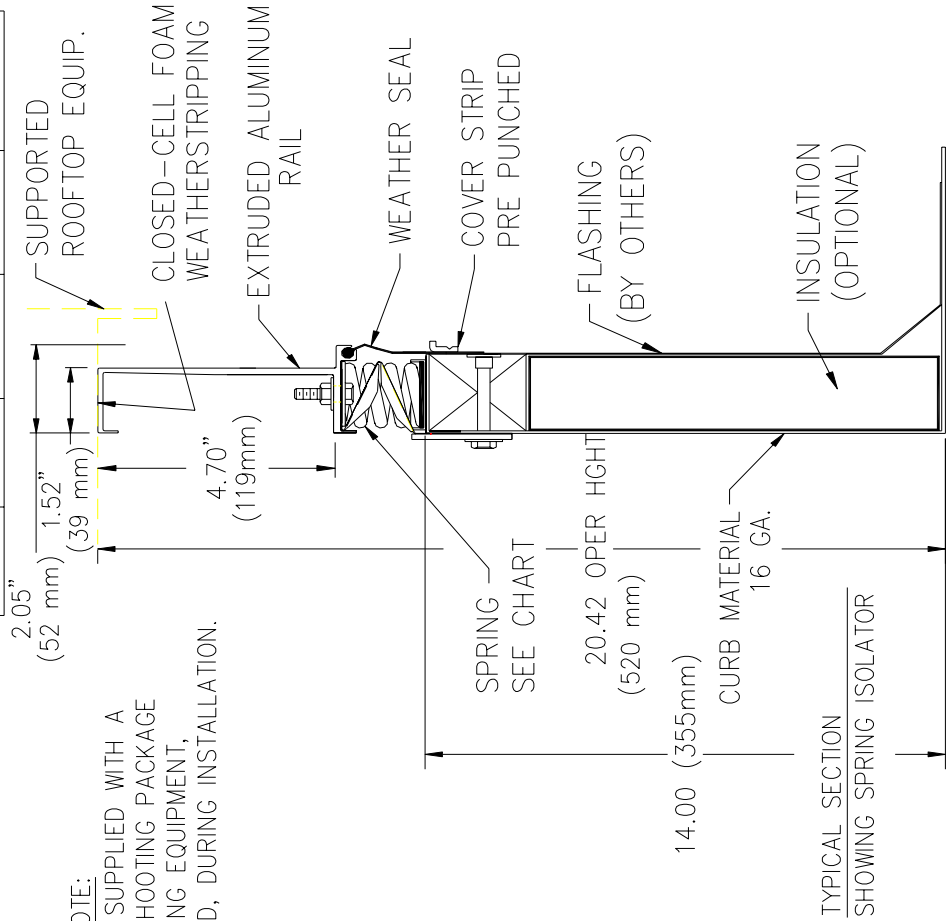
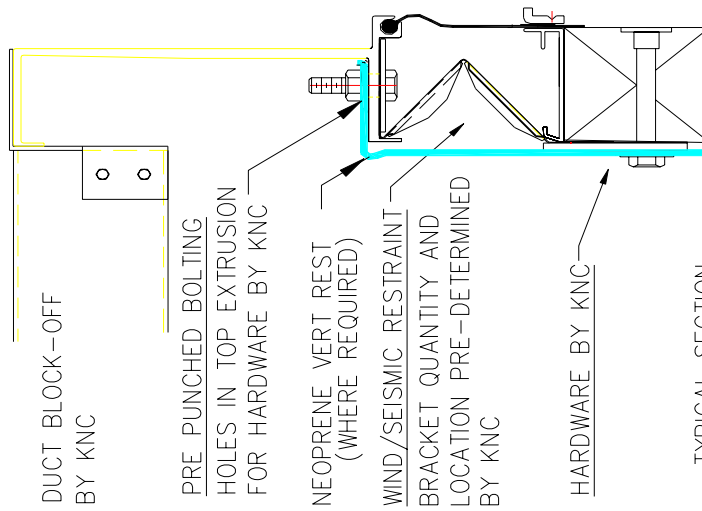
ROOFTOP EQUIPMENT



RATED LOAD LB/KG	RATED DEFL. IN/mm	SPRING FR. HT. IN/mm	SPRING O. D. IN/mm	COLOR CODE
30/14	2.00/50	3.75/95	1.46/37	GRAY
65/30	2.00/50	3.75/95	1.46/37	BLUE
120/55	2.00/50	3.75/95	1.46/37	GREEN
205/93	2.00/50	3.75/95	1.46/37	BLACK

SPECIAL NOTE:

ALL UNITS SUPPLIED WITH A TROUBLE SHOOTING PACKAGE FOR LEVELING EQUIPMENT, IF REQUIRED, DURING INSTALLATION.



MODEL KSCR-2 ISOLATION RAIL

PAGE 2 OF 2 - DRAWING # S-88.600

RELEASE DATE: 5/17/04



Toll Free (USA only): 800-959-1229
 International: 614-889-0480
 Fax: 614-889-0540
 World Wide Web: www.kineticsnoise.com
 Email: sales@kineticsnoise.com

DOCUMENT:
P6.2.3



DUBLIN, OHIO, USA • MISSISSAUGA, ONTARIO, CANADA