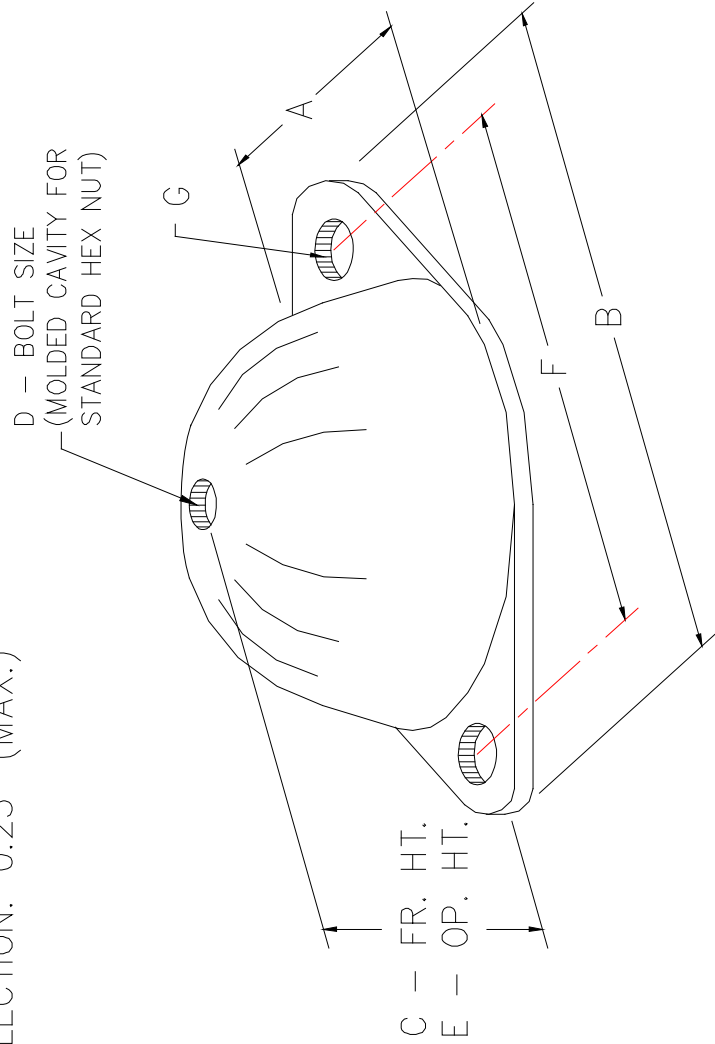


ISOLATOR TYPE	DURO.	RATED COMPRESSION CAPACITY	RATED DEFLECTION	A	B	C	D	E	F	G
RQ-500	40	500 LBS.	0.15	3.25	5.38	1.65	0.50	1.50	4.12	0.53
RQ-750	50	750 LBS.	0.15	3.25	5.38	1.65	0.50	1.50	4.12	0.53
RQ-1000	50	1000 LBS.	0.15	3.88	6.25	1.65	0.62	1.50	5.00	0.53
RQ-1300	60	1300 LBS.	0.15	3.88	6.25	1.65	0.62	1.50	5.00	0.53
RQ-1950	70	1950 LBS.	0.15	3.88	6.25	1.65	0.62	1.50	5.00	0.53

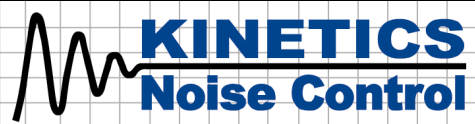
HORIZONTAL SHEAR CAPACITY: 1800 LBS.
HORIZONTAL DEFLECTION: 0.25" (MAX.)



MODEL RQ

DRAWING # S-02.05-1C

RELEASE DATE: 12/19/03



DUBLIN, OHIO, USA • MISSISSAUGA, ONTARIO, CANADA

Toll Free (USA only): 800-959-1229
International: 614-889-0480
Fax: 614-889-0540
World Wide Web: www.kineticsnoise.com
Email: sales@kineticsnoise.com

DOCUMENT:

P4.2.2

