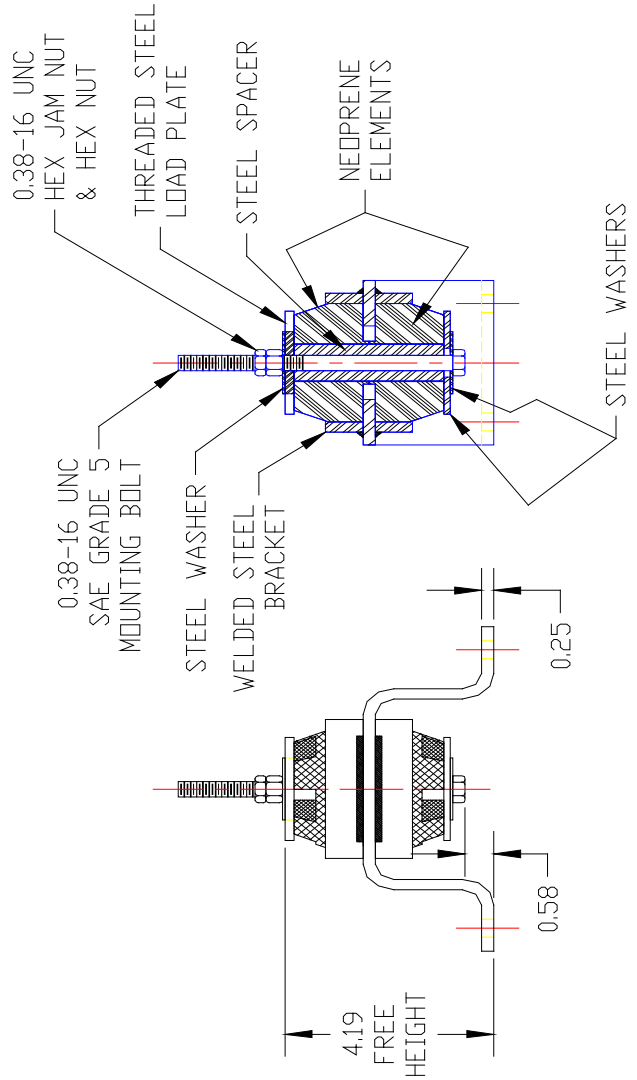
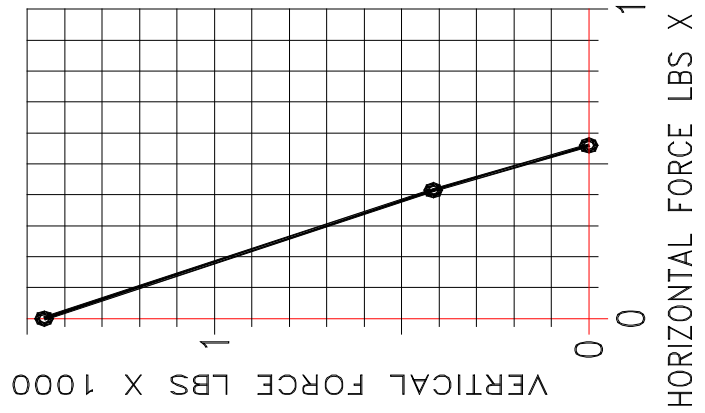
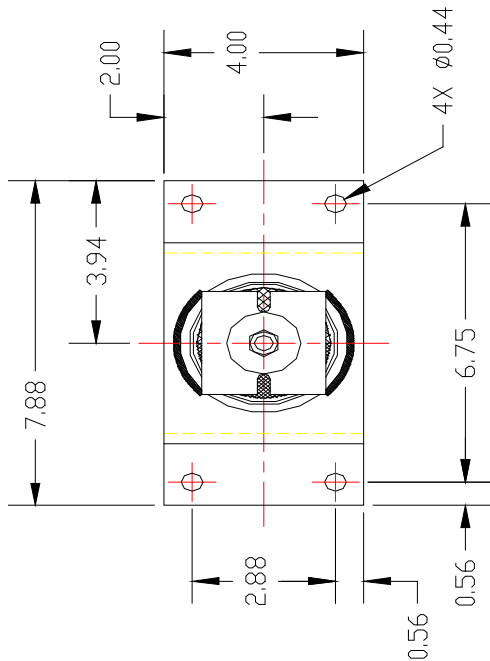


MODEL	RATED LOAD (LBS)	RATED DEFLECTION (CONFINED) (IN)	DUROMETER (SHORE A)	COLOR CODE DOT
KRMS-A-125	125	0.25	30	BLACK
KRMS-A-175	175	0.25	40	RED
KRMS-A-300	300	0.25	55	GREEN
KRMS-A-450	450	0.25	65	WHITE
KRMS-A-700	700	0.25	75	PURPLE

REFERENCE DRAWING: M-20030150



## KRMS-A-125/700

DRAWING # SS-20030150

RELEASE DATE: 12/19/03



DUBLIN, OHIO, USA • MISSISSAUGA, ONTARIO, CANADA

Toll Free (USA only): 800-959-1229  
 International: 614-889-0480  
 Fax: 614-889-0540  
 World Wide Web: www.kineticsnoise.com  
 Email: sales@kineticsnoise.com

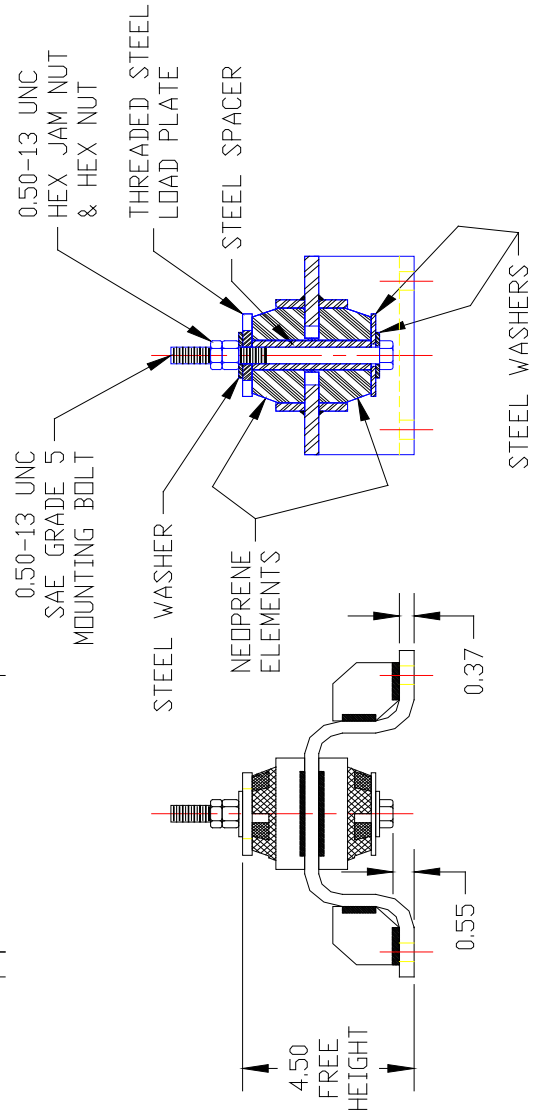
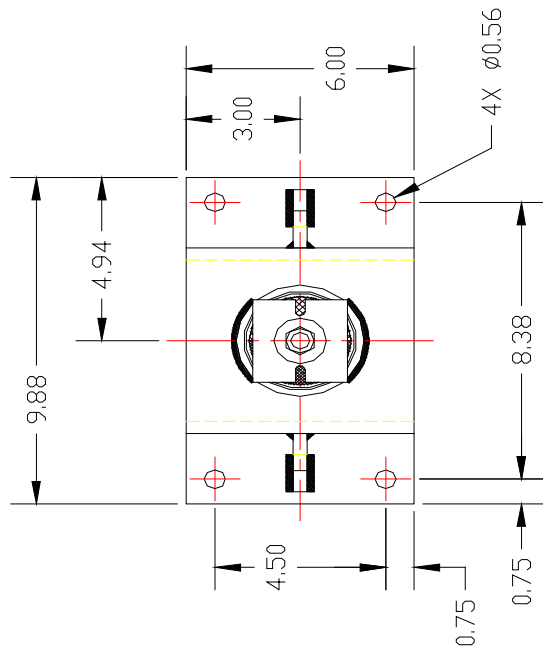
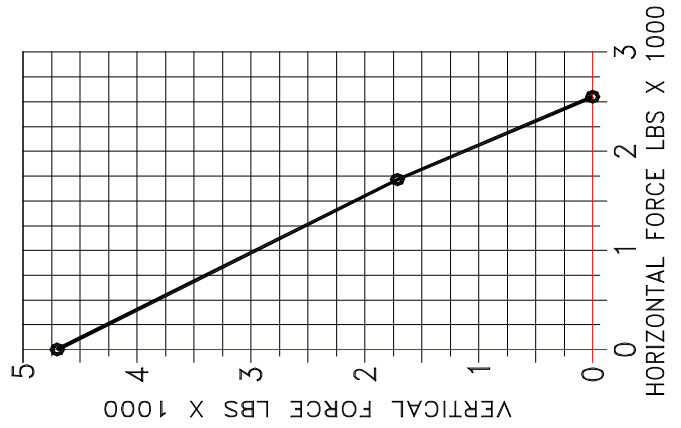
DOCUMENT:

P4.2.1-1



MODEL	RATED LOAD (LBS)	RATED DEFLECTION (CONFINED) (IN)	DUROMETER (SHORE A)	COLOR CODE DOT
KRMS-B-125	125	0.25	30	BLACK
KRMS-B-175	175	0.25	40	RED
KRMS-B-300	300	0.25	55	GREEN
KRMS-B-450	450	0.25	65	WHITE
KRMS-B-700	700	0.25	75	PURPLE
KRMS-B-1100	1100	0.33	80	YELLOW
KRMS-B-2200	2200	0.33	90	PINK

REFERENCE DRAWING: M-20030160



## KRMS-B-125/2200

DRAWING # SS-20030160

RELEASE DATE: 12/19/03



DUBLIN, OHIO, USA • MISSISSAUGA, ONTARIO, CANADA

Toll Free (USA only): 800-959-1229  
 International: 614-889-0480  
 Fax: 614-889-0540  
 World Wide Web: [www.kineticsnoise.com](http://www.kineticsnoise.com)  
 Email: [sales@kineticsnoise.com](mailto:sales@kineticsnoise.com)

DOCUMENT:

P4.2.1-2

