

FHS 1" DEFLECTION SEISMIC ISOLATOR

TYPE	L	W	H	D	Z	T	A	E
1-35/805	7.32	3.00	5.86	0.44	0.50	0.38	0.69	1.50
1-250/2200	9.56	5.00	7.36	0.81	0.62	0.38	0.88	2.50
1-2465/3500	9.56	5.00	7.36	0.81	0.62	0.38	0.88	2.50

I-P UNITS (INCHES AND POUNDS)

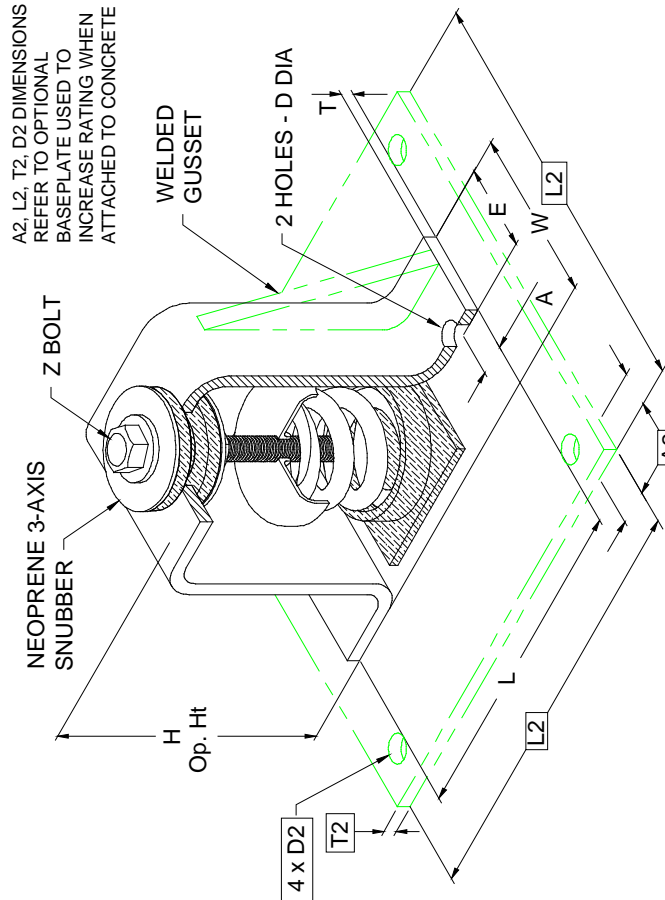
STANDARD RATINGS		COIL	NOMINAL FREE HT	O.D.	CAPACITY
TYPE	SIZE				
1-35/805	1-35	BLUE	3.00	1.75	35
	1-70	GREEN	3.00	1.75	70
	1-120	GRAY	3.00	1.75	120
	1-220	BROWN	3.00	1.75	220
	1-370	ORANGE	3.00	1.75	370
	1-500	BEIGE	3.00	1.75	500
	1-600	CHROME	3.00	1.75	600
	1-700	BGE/WHT	3.00	1.75	700
	1-805	CHR/WHT	3.00	1.75	800
1-250/2200	1-250	BLUE	4.00	3.00	250
	1-450	GREEN	4.00	3.00	450
	1-625	BLACK	4.00	3.00	625
	1-800	GRAY	4.00	3.00	800
	1-1000	RED	4.00	3.00	1000
	1-1250	BROWN	4.00	3.00	1250
	1-1700	ORANGE	4.00	3.00	1700
	1-2200	ORG/GRY	4.00	3.00	2200
1-2465/3500 *	1-2465	BLUE	4.00	3.00	2465
	1-2865	BLU/GRY	4.00	3.00	2865
	1-3500	BLU/BRN	4.00	3.00	3500

* INCLUDES WELDED GUSSET AS SHOWN

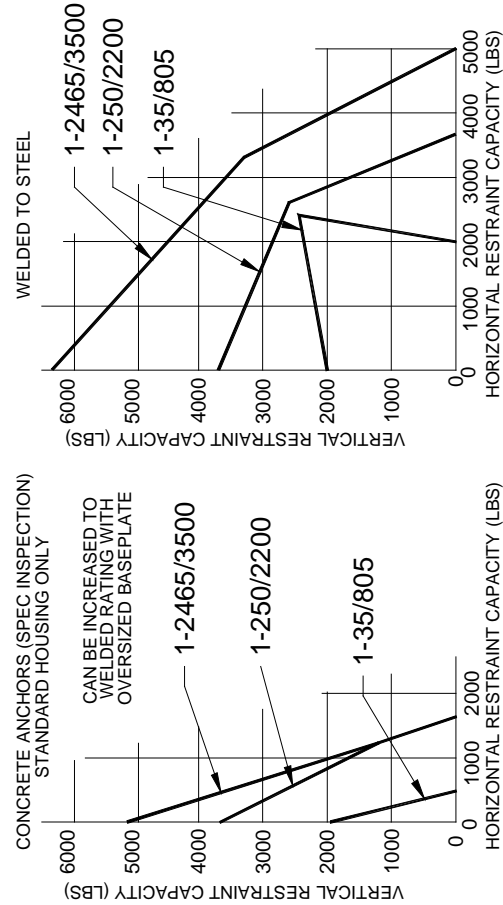
1-35/805 REQUIRES 0.38 DIA x 2.50 MIN EMBED ANCHORS IN CONCRETE
 1-250/3500 REQUIRES 0.75 DIA x 4.75 MIN EMBED ANCHORS IN CONCRETE
 (ALLOWABLE LOADS BASED ON 3000 PSI MIN CONCRETE)
 1-35/805 ANCHOR BOLT TORQUE - 25 FT LB, PULL TEST - 1210 LB
 1-250/3500 ANCHOR BOLT TORQUE - 150 FT LB, PULL TEST - 3625 LB

SPECIFICATIONS:

- VERTICALLY AND LATERALLY RESTRAINED SPRING ISOLATOR WITH CONSTANT FREE AND OPERATING HEIGHT AND REPLACEABLE NEOPRENE SNUBBING ELEMENTS.
- 0.25 NOMINAL CLEARANCE IN SNUBBING ELEMENTS.
- MINIMUM OVERLOAD OF 50%.
- MINIMUM K_v/K_y RATIO OF 1.0.
- ALL ELEMENTS SAFE AT SOLID LOADING.
- POWDER COATED COILS AND HOT DIPPED GALVANIZED BRACKET
- OSHPD APPROVAL NUMBER R-0433



A2, L2, T2, D2 DIMENSIONS REFER TO OPTIONAL BASEPLATE USED TO INCREASE RATING WHEN ATTACHED TO CONCRETE



Computed horiz and vert seismic load combinations must fall within the restraint capacity envelope. Contact KNC for bolted to steel data.

FHS Submittal Drawings

DRAWING # S-01.35-1A – FHS 1-35/805 1-250/2200 1-2465/3500

RELEASE DATE: 11/3/03



DUBLIN, OHIO, USA • MISSISSAUGA, ONTARIO, CANADA

Toll Free (USA only): 800-959-1229
 International: 614-889-0480
 Fax: 614-889-0540
 World Wide Web: www.kineticsnoise.com
 Email: sales@kineticsnoise.com

DOCUMENT:
P3.2.3-1
 VISCMA MEMBER

FHS 2" DEFLECTION SEISMIC ISOLATOR

TYPE	L	W	H	D	Z	T	A	E
2-100/1600	10.38	5.00	8.72	0.69	0.50	0.50	0.75	2.50
2-1975	10.38	5.00	8.72	0.69	0.50	0.50	0.75	2.50
2-2000/4500	11.50	6.00	11.13	1.06	0.75	0.50	0.88	3.00

I-P UNITS (INCHES AND POUNDS)

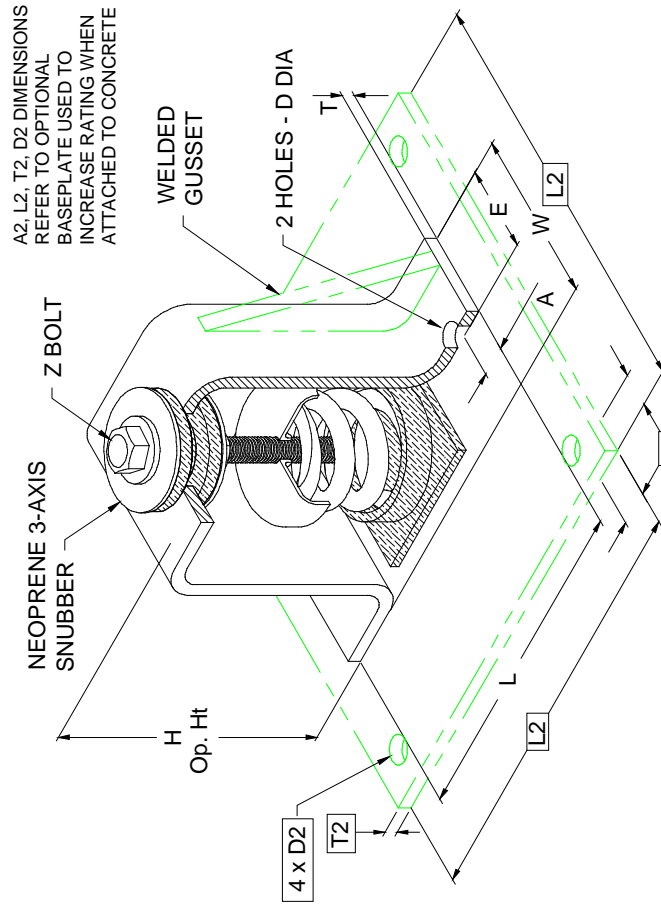
STANDARD RATINGS		COIL	NOMINAL FREE HT	O.D.	CAPACITY
TYPE	SIZE				
2-100/1600	2-100	GRAY	5.75	3.50	100
	2-250	BLUE	5.75	3.50	250
	2-500	GREEN	5.75	3.50	500
	2-750	BLACK	5.75	3.50	750
	2-995	ORANGE	5.75	3.50	995
	2-1400	ORG/GRN	5.75	3.50	1400
	2-1600	RED	5.75	3.50	1600
2-1975 *	2-1975	RED/GRN	5.75	3.50	1975
2-2000/4500*	2-2000	ORANGE	7.00	5.00	2000
	2-2500	BLUE	7.00	5.00	2500
	2-2750	BLU/BLU	7.00	5.00	2750
	2-3025	BLU/GRN	7.00	5.00	3025
	2-3500	BLU/ORG	7.00	5.00	3500
	2-3900	BLU/ORG/GRN	7.00	5.00	3900
	2-4100	BLU/RED	7.00	5.00	4100
	2-4500	BLU/RED/GRN	7.00	5.00	4500

* INCLUDES WELDED GUSSET AS SHOWN

2-100/1975 REQUIRES 0.62 DIA x 4.0 MIN EMBED ANCHORS IN CONCRETE
 2-2000/4500 REQUIRES 1.0 DIA x 6.0 MIN EMBED ANCHORS IN CONCRETE
 (ALLOWABLE LOADS BASED ON 3000 PSI MIN CONCRETE)
 2-100/1975 ANCHOR BOLT TORQUE - 75 FT LB, PULL TEST - 2670 LB
 2-2000/4500 ANCHOR BOLT TORQUE - 200 FT LB, PULL TEST - 6310 LB

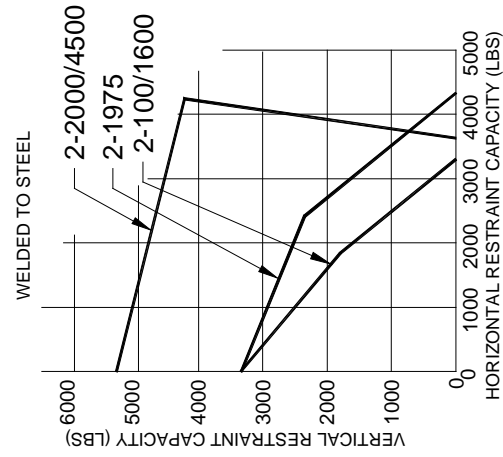
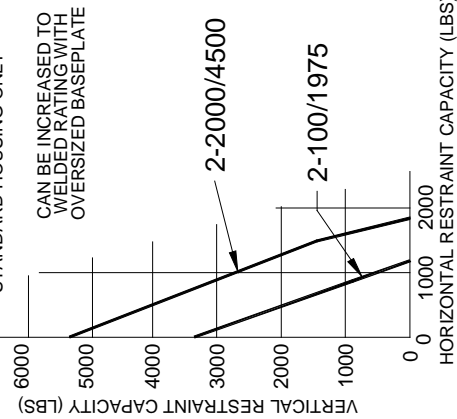
SPECIFICATIONS:

- VERTICALLY AND LATERALLY RESTRAINED SPRING ISOLATOR WITH CONSTANT FREE AND OPERATING HEIGHT AND REPLACEABLE NEOPRENE SNUBBING ELEMENTS.
- 0.25 NOMINAL CLEARANCE IN SNUBBING ELEMENTS.
- MINIMUM OVERLOAD OF 50%.
- MINIMUM K_v/K_y RATIO OF 1.0.
- ALL ELEMENTS SAFE AT SOLID LOADING.
- POWDER COATED COILS AND HOT DIPPED GALVANIZED BRACKET
- OSHPD APPROVAL NUMBER R-0433



A2, L2, T2, D2 DIMENSIONS REFER TO OPTIONAL BASEPLATE USED TO INCREASE RATING WHEN ATTACHED TO CONCRETE

CONCRETE ANCHORS (SPEC INSPECTION) STANDARD HOUSING ONLY



Computed horiz and vert seismic load combinations must fall within the restraint capacity envelope. Contact KNC for bolted to steel data.

FHS Submittal Drawings

DRAWING # S-01.35-2A – FHS 2-100/1600 2-1975 2-2000/4500

RELEASE DATE: 11/3/03



DUBLIN, OHIO, USA • MISSISSAUGA, ONTARIO, CANADA

Toll Free (USA only): 800-959-1229
 International: 614-889-0480
 Fax: 614-889-0540
 World Wide Web: www.kineticsnoise.com
 Email: sales@kineticsnoise.com

DOCUMENT:

P3.2.3-2



FHS 4" DEFLECTION SEISMIC ISOLATOR

TYPE	L	W	H	D	Z	T	A	E
4-100/1600	12.25	7.00	13.85	0.69	0.62	0.50	0.81	3.50
4-2250/5800	14.76	10.00	16.00	1.06	0.88	0.50	0.94	5.00

I-P UNITS (INCHES AND POUNDS)

STANDARD RATINGS

TYPE	SIZE	COIL	NOMINAL FREE HT	O.D.	CAPACITY
4-100/1600	4-100	GRAY	10.00	5.63	100
	4-250	BLUE	10.00	5.63	250
	4-500	GREEN	10.00	5.63	500
	4-750	BLACK	10.00	5.63	750
	4-1000	RED	10.00	5.63	1000
	4-1250	BROWN	10.00	5.63	1250
	4-1600	ORANGE	10.00	5.63	1600
2-2250/5800 *	4-2250	BEIGE	11.50	8.00	2250
	4-2500	BGE/BLU	11.50	8.00	2500
	4-2750	BGE/GRN	11.50	8.00	2750
	4-3000	BGE/BLK	11.50	8.00	3000
	4-3250	BGE/RED	11.50	8.00	3250
	4-3500	BGE/BRN	11.50	8.00	3500
	4-3850	BGE/ORG	11.50	8.00	3850
	4-4200	CHROME	11.50	8.00	4200
	4-4450	CHR/BLU	11.50	8.00	4450
	4-4700	CHR/GRN	11.50	8.00	4700
	4-4950	CHR/BLK	11.50	8.00	4950
	4-5200	CHR/RED	11.50	8.00	5200
	4-5450	CHR/BRN	11.50	8.00	5450
	4-5800	CHR/ORG	11.50	8.00	5800

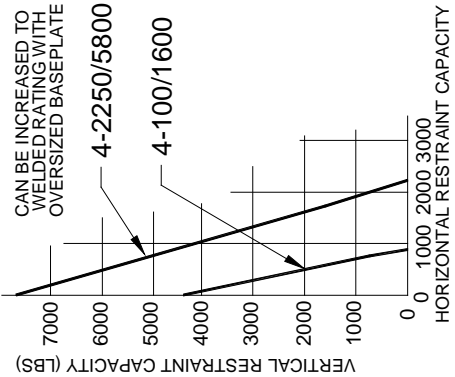
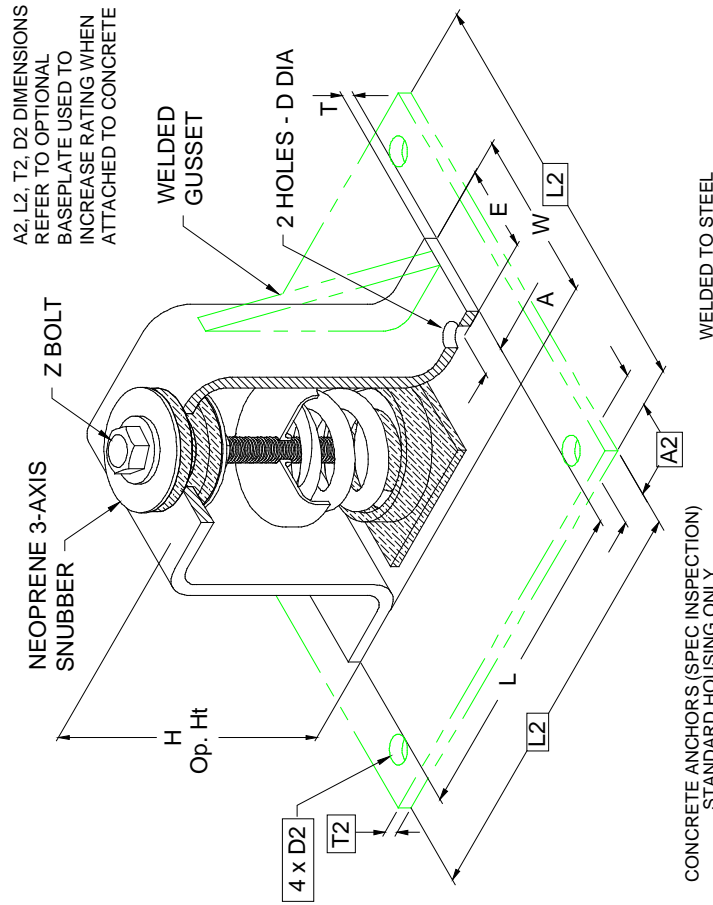
* INCLUDES WELDED GUSSET AS SHOWN

4-100/1600 REQUIRES 0.62 DIA x 4.0 MIN EMBED ANCHORS IN CONCRETE
 4-2250/5800 REQUIRES 1.0 DIA x 9.0 MIN EMBED ANCHORS IN CONCRETE
 (ALLOWABLE LOADS BASED ON 3000 PSI MIN CONCRETE)

4-100/1600 ANCHOR BOLT TORQUE - 75 FT LB, PULL TEST - 2670 LB
 4-2250/5800 ANCHOR BOLT TORQUE - 200 FT LB, PULL TEST - 5310 LB

SPECIFICATIONS:

- VERTICALLY AND LATERALLY RESTRAINED SPRING ISOLATOR WITH CONSTANT FREE AND OPERATING HEIGHT AND REPLACEABLE NEOPRENE SNUBBING ELEMENTS.
- 0.25 NOMINAL CLEARANCE IN SNUBBING ELEMENTS.
- MINIMUM OVERLOAD OF 50%.
- MINIMUM Kx/Ky RATIO OF 1.0.
- ALL ELEMENTS SAFE AT SOLID LOADING.
- POWDER COATED COILS AND HOT DIPPED GALVANIZED BRACKET
- OSHPD APPROVAL NUMBER R-0433



WELDED TO STEEL

CONCRETE ANCHORS (SPEC INSPECTION) STANDARD HOUSING ONLY

CAN BE INCREASED TO WELDED RATING WITH OVERSIZED BASEPLATE

Computed horiz and vert seismic load combinations must fall within the restraint capacity envelope. Contact KNC for bolted to steel data.

FHS Submittal Drawings

DRAWING # S-01.35-3A – FHS 4-100/1600 4-2250/5800

RELEASE DATE: 11/3/03



DUBLIN, OHIO, USA • MISSISSAUGA, ONTARIO, CANADA

Toll Free (USA only): 800-959-1229
 International: 614-889-0480
 Fax: 614-889-0540
 World Wide Web: www.kineticsnoise.com
 Email: sales@kineticsnoise.com

DOCUMENT:

P3.2.3-3

