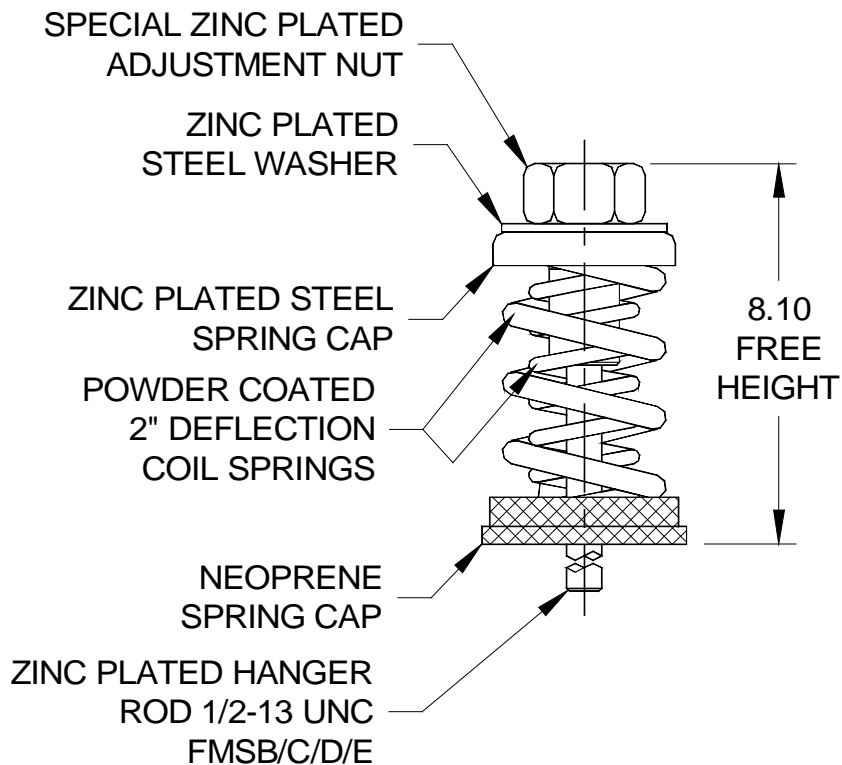


2 Deflection – Single Coil Set – 100 lbs to 2,000 lbs

ISOLATOR MODEL	USED WITH FMS MODELS	RATED LOAD (LBS)	DEFLECTION @ RATED LOAD (IN)	SPRING RATE (LBS/IN)	SPRING COLOR OUTER/INNER
2-100	B/C/D/E	100	2.00	50.0	Gray/-----
2-250	B/C/D/E	250	2.00	125.0	Blue/-----
2-500	B/C/D/E	500	2.00	250.0	Green/-----
2-750	B/C/D/E	750	2.00	375.0	Black/-----
2-995	B/C/D/E	995	2.00	497.5	Orange/-----
2-1395	B/C/D/E	1,395	2.00	697.5	Orange/Green
2-1600	B/C/D/E	1,600	2.00	800.0	Red/-----
2-1975	B/C/D/E	2,000	2.00	1,000.0	Red/Green



2 DEFL. – 100 to 2,000 SINGLE COIL ISOLATION SUBMITTAL DATA

PAGE 1 OF 6

RELEASE DATE: 5/11/04

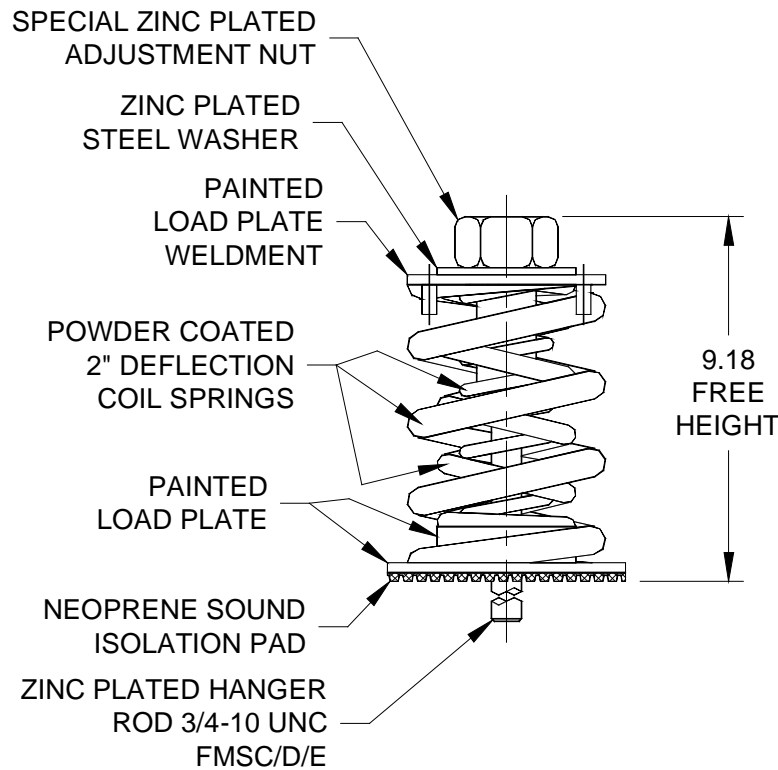


Toll Free (USA only): 800-959-1229
 International: 614-889-0480
 Fax: 614-889-0540
 World Wide Web: www.kineticsnoise.com
 Email: sales@kineticsnoise.com

DOCUMENT:
P2.3.3
 VISCMA
 MEMBER

2 Deflection – Single Coil Set – 2,000 lbs to 4,500 lbs

ISOLATOR MODEL	USED WITH FMS MODELS	RATED LOAD (LBS)	DEFLECTION @ RATED LOAD (IN)	SPRING RATE (LBS/IN)	SPRING COLOR OUTER/MIDDLE/INNER
2-2000	C/D/E	2,000	2.00	1,000.0	Orange/-----/-----
2-2250	C/D/E	2,250	2.00	1,125.0	Orange/Blue/-----
2-2500	C/D/E	2,500	2.00	1,250.0	Blue/-----/-----
2-2750	C/D/E	2,750	2.00	1,375.0	Orange/Black/-----
2-3000	C/D/E	3,000	2.00	1,500.0	Blue/Green/-----
2-3600	C/D/E	3,600	2.00	1,800.0	Orange/Red/-----
2-4500	C/D/E	4,500	2.00	2,250.0	Blue/Red/Green



2 DEFL. – 2,000 to 4,500 SINGLE COIL ISOLATION SUBMITTAL DATA

PAGE 2 OF 6

RELEASE DATE: 5/11/04



DUBLIN, OHIO, USA • MISSISSAUGA, ONTARIO, CANADA

Toll Free (USA only): 800-959-1229
 International: 614-889-0480
 Fax: 614-889-0540
 World Wide Web: www.kineticsnoise.com
 Email: sales@kineticsnoise.com

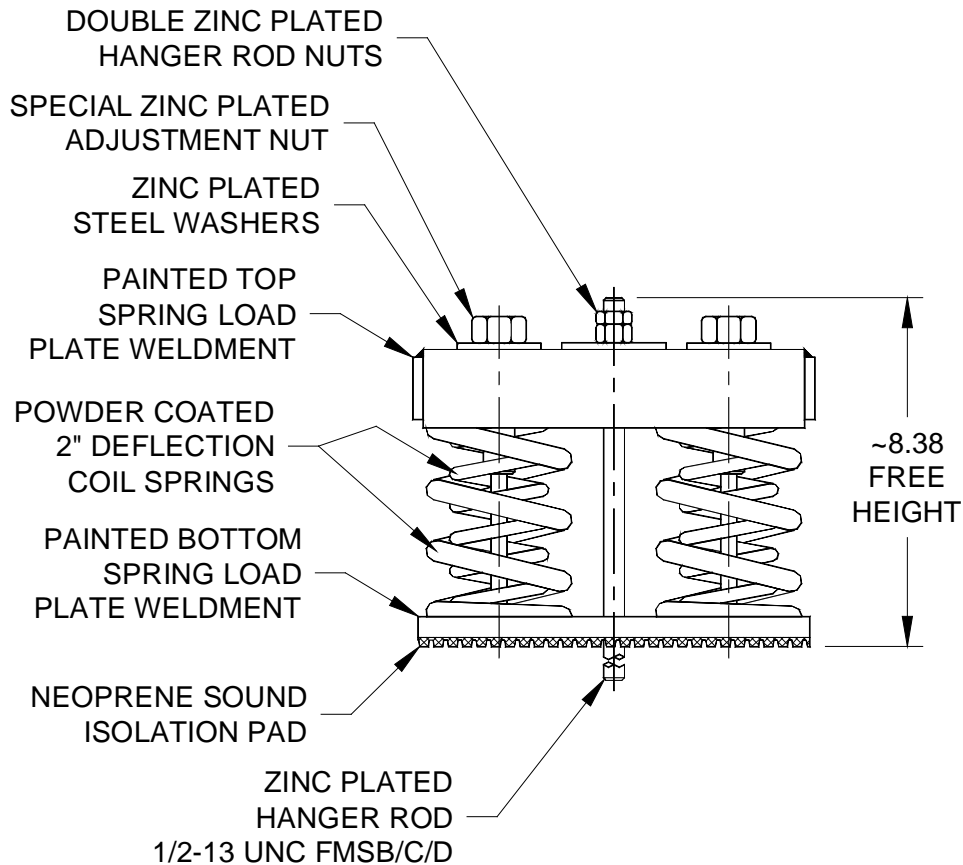
DOCUMENT:

P2.3.3



2 Deflection – Double Coil Set – 1,990 lbs to 4,000 lbs

ISOLATOR MODEL	USED WITH FMS MODELS	RATED LOAD (LBS)	DEFLECTION @ RATED LOAD (IN)	SPRING RATE (LBS/IN)	SPRING COLOR OUTER/INNER
2-1990	B/C/D/E	1,990	2.00	995.0	Orange/-----
2-2300	B/C/D/E	2,300	2.00	1,150.0	Black/Green
2-2790	B/C/D/E	2,790	2.00	1,395.0	Orange/Green
2-3200	B/C/D/E	3,200	2.00	1,600.0	Red/-----
2-4000	B/C/D/E	4,000	2.00	2,000.0	Red/Green



2 DEFL. – 1,990 to 4,000 DOUBLE COIL ISOLATION SUBMITTAL DATA

PAGE 3 OF 6

RELEASE DATE 5/11/04



DUBLIN, OHIO, USA • MISSISSAUGA, ONTARIO, CANADA

Toll Free (USA only): 800-959-1229
 International: 614-889-0480
 Fax: 614-889-0540
 World Wide Web: www.kineticsnoise.com
 Email: sales@kineticsnoise.com

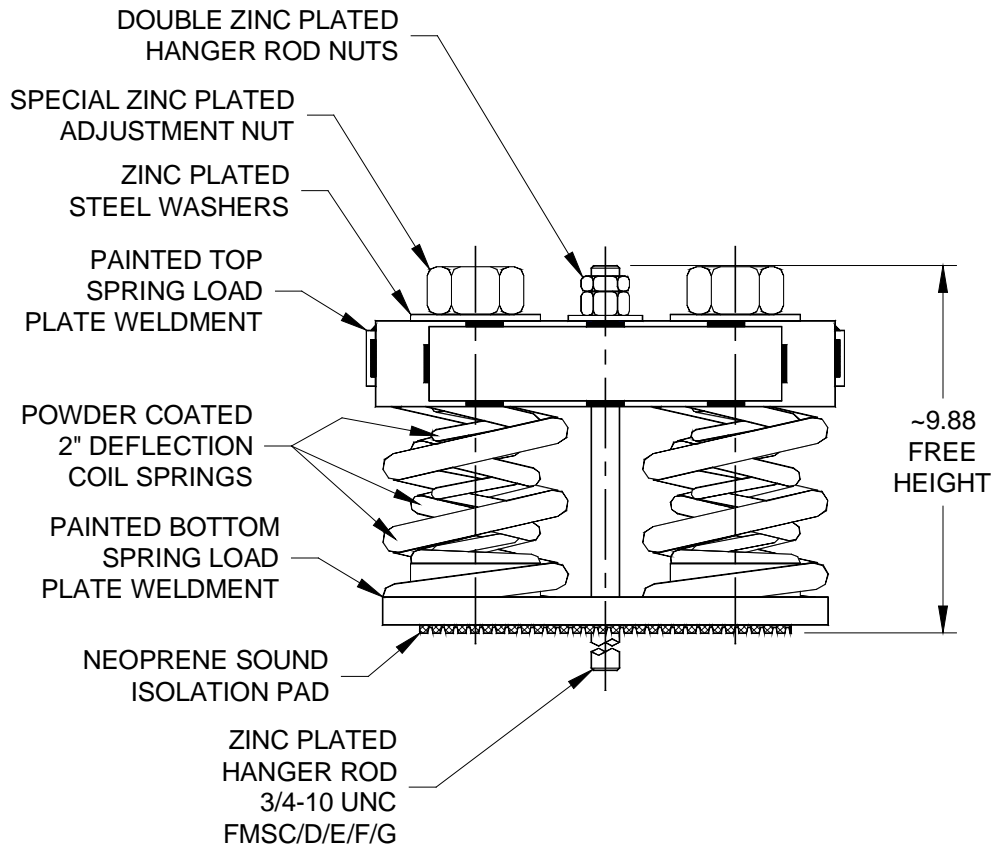
DOCUMENT:

P2.3.3



2 Deflection – Double Coil Set – 5,000 lbs to 9,000 lbs

ISOLATOR MODEL	USED WITH FMS MODELS	RATED LOAD (LBS)	DEFLECTION @ RATED LOAD (IN)	SPRING RATE (LBS/IN)	SPRING COLOR OUTER/MIDDLE/INNER
2-5000	C/D/E/F/G	5,000	2.00	2,500.0	Blue/-----/-----
2-5500	C/D/E/F/G	5,550	2.00	2,750.0	Orange/Black/-----
2-6000	C/D/E/F/G	6,000	2.00	3,000.0	Blue/Green/-----
2-7200	--/D/E/F/G	7,200	2.00	3,600.0	Orange/Red/-----
2-9000	--/D/E/F/G	9,000	2.00	4,500.0	Blue/Red/Green



2" DEFL. – 5,000 to 9,000 DOUBLE COIL ISOLATION SUBMITTAL DATA

PAGE 4 OF 6

RELEASE DATE: 5/12/04

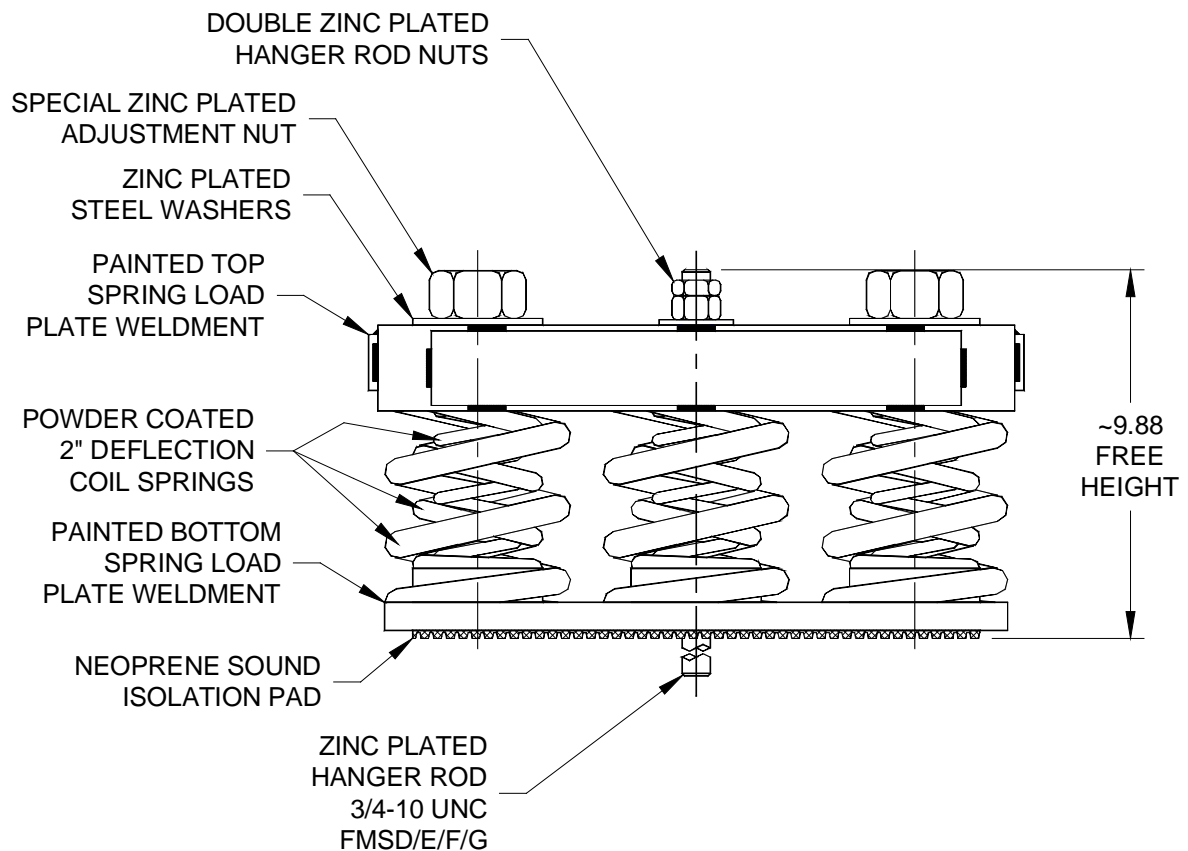


Toll Free (USA only): 800-959-1229
 International: 614-889-0480
 Fax: 614-889-0540
 World Wide Web: www.kineticsnoise.com
 Email: sales@kineticsnoise.com

DOCUMENT:
P2.3.3
 VISCMA
 MEMBER

2 Deflection – Triple Coil Set – 9,100 lbs to 13,500 lbs

ISOLATOR MODEL	USED WITH FMS MODELS	RATED LOAD (LBS)	DEFLECTION @ RATED LOAD (IN)	SPRING RATE (LBS/IN)	SPRING COLOR OUTER/MIDDLE/INNER
2-9100	D/E/F/G	9,000	2.00	4,500.0	Blue/Green/-----
2-9750	D/E/F/G	9,750	2.00	4,875.0	Blue/Black/-----
2-10800	--/E/F/G	10,800	2.00	5,400.0	Orange/Red/-----
2-12000	--/E/F/G	12,000	2.00	6,000.0	Orange/Red/Green
2-13500	--/E/F/G	13,500	2.00	6,750.0	Blue/Red/Green



2" DEFL. – 9,100 to 13,500 TRIPLE COIL ISOLATION SUBMITTAL DATA

PAGE 5 OF 6

RELEASE DATE: 5/12/04



DUBLIN, OHIO, USA • MISSISSAUGA, ONTARIO, CANADA

Toll Free (USA only): 800-959-1229
 International: 614-889-0480
 Fax: 614-889-0540
 World Wide Web: www.kineticsnoise.com
 Email: sales@kineticsnoise.com

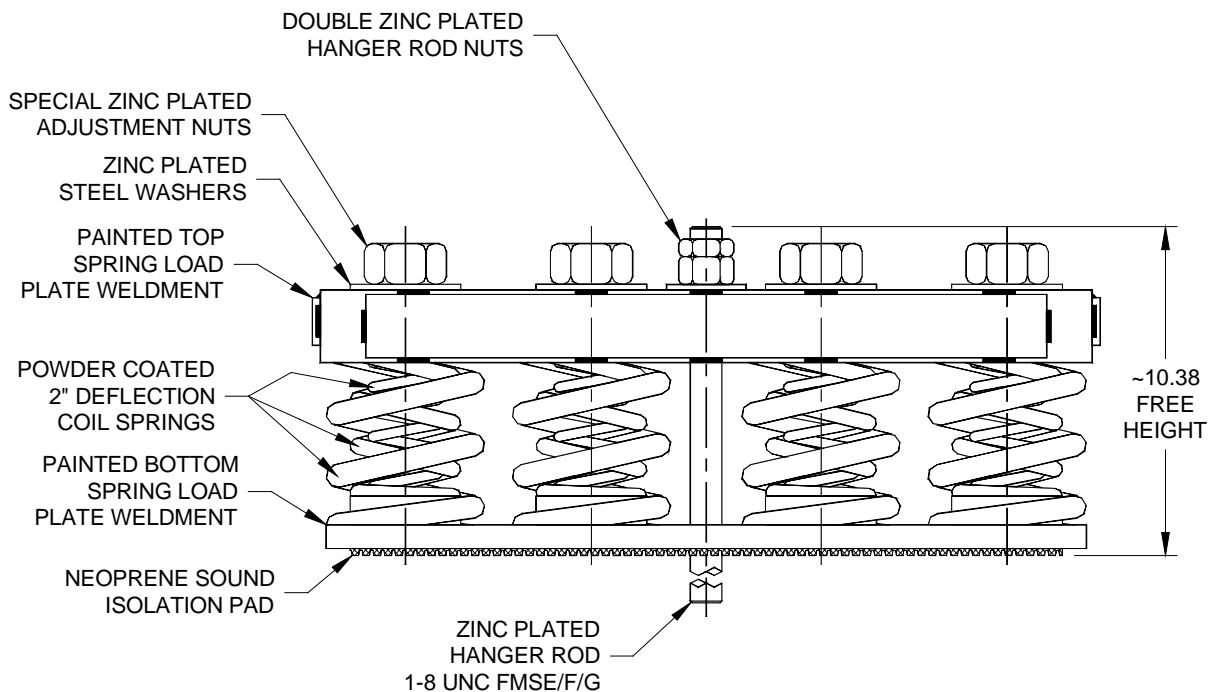
DOCUMENT:

P2.3.3



2 Deflection – QUAD Coil Set – 14,000 lbs to 18,000 lbs

ISOLATOR MODEL	USED WITH FMS MODELS	RATED LOAD (LBS)	DEFLECTION @ RATED LOAD (IN)	SPRING RATE (LBS/IN)	SPRING COLOR OUTER/MIDDLE/INNER
2-14000	E/F/G	13,980	2.00	6,990.0	Blue/Orange/-----
2-16000	E/F/G	16,000	2.00	8,000.0	Orange/Red/Green
2-18000	E/F/G	18,000	2.00	4,500.0	Blue/Red/Green



2" DEFL. – 14,000 to 18,000 QUAD COIL ISOLATION SUBMITTAL DATA

PAGE 6 OF 6

RELEASE DATE: 5/12/04



Toll Free (USA only): 800-959-1229
 International: 614-889-0480
 Fax: 614-889-0540
 World Wide Web: www.kineticsnoise.com
 Email: sales@kineticsnoise.com

DOCUMENT:
P2.3.3
 VISCMA
 MEMBER