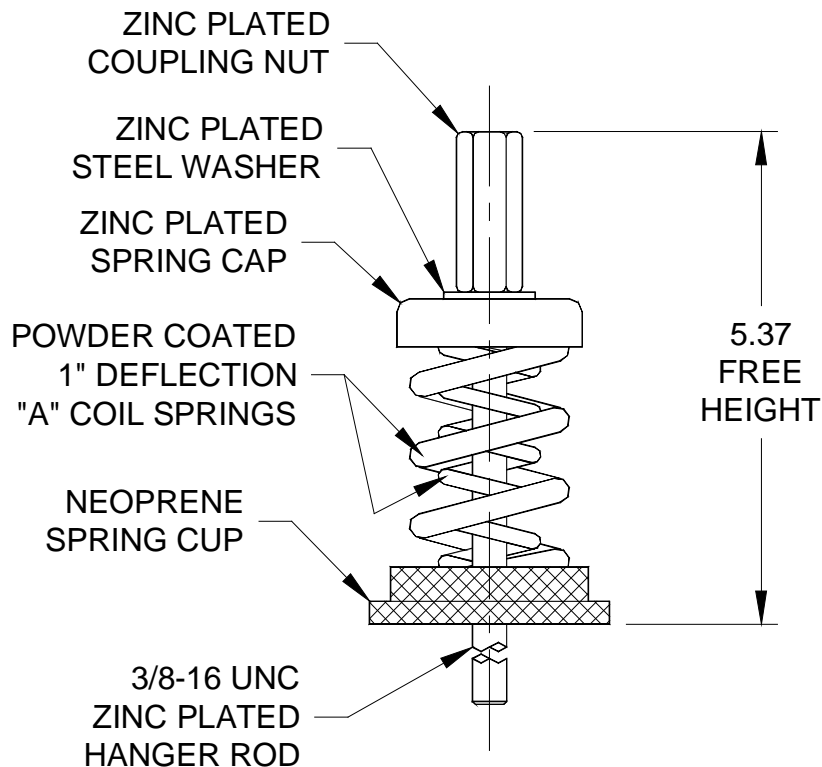


1 Deflection – Single “A” Coil Set – 35 lbs to 800 lbs

ISOLATOR MODEL	USED WITH FMS MODELS	RATED LOAD (LBS)	DEFLECTION @ RATED LOAD (IN)	SPRING RATE (LBS/IN)	SPRING COLOR OUTER/INNER	LOAD @ 1 IN. DEFLECTION (LBS)
1-35	AA/A/B	35	1.52	23.0	Blue/-----	23
1-70	AA/A/B	70	1.36	51.5	Green/-----	51
1-120	AA/A/B	120	1.18	101.7	Gray/-----	102
1-220	AA/A/B	220	1.07	205.6	Brown/-----	206
1-370	AA/A/B	370	0.96	385.4	Orange/-----	385
1-500	AA/A/B	500	1.00	500.0	Beige/-----	500
1-600	AA/A/B	600	1.00	600.0	Chrome/-----	600
1-700	AA/A/B	700	1.00	700.0	Beige/White	700
1-805	AA/A/B	800	1.00	800.0	Chrome/White	800



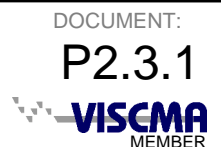
1 DEFLECTION – SINGLE “A” COIL ISOLATION SUBMITTAL DATA

PAGE 1 OF 2

RELEASE DATE: 5/4/04

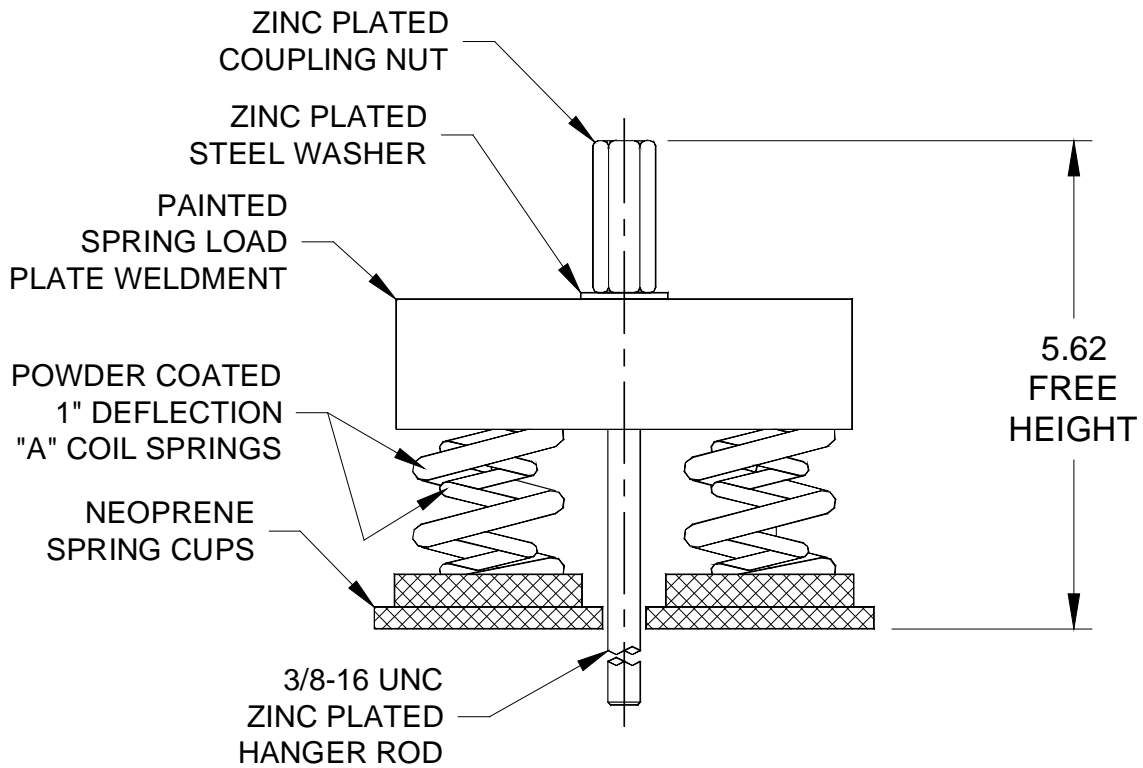


Toll Free (USA only): 800-959-1229
 International: 614-889-0480
 Fax: 614-889-0540
 World Wide Web: www.kineticsnoise.com
 Email: sales@kineticsnoise.com



1 Deflection – Double “A” Coil Sets – 740 lbs to 1,600 lbs

ISOLATOR MODEL	USED WITH FMS MODELS	RATED LOAD (LBS)	DEFLECTION @ RATED LOAD (IN)	SPRING RATE (LBS/IN)	SPRING COLOR OUTER/INNER	LOAD @ 1 IN. DEFLECTION (LBS)
1-740	AA/A/B	740	0.96	770.8	Orange/-----	771
1-840	AA/A/B	840	1.07	811.2	Brown/White	811
1-1000	AA/A/B	1,000	1.00	1,000.0	Beige/-----	1,000
1-1200	AA/A/B	1,200	1.00	1,200.0	Chrome/-----	1,200
1-1400	AA/A/B	1,400	1.00	1,400.0	Beige/White	1,400
1-1600	----/A/B	1,600	1.00	1,600.0	Chrome/White	1,600



1 DEFLECTION – DOUBLE “A” COIL ISOLATION SUBMITTAL DATA



Toll Free (USA only): 800-959-1229
 International: 614-889-0480
 Fax: 614-889-0540
 World Wide Web: www.kineticsnoise.com
 Email: sales@kineticsnoise.com

DOCUMENT:
P2.3.1
 VISCMA
 MEMBER