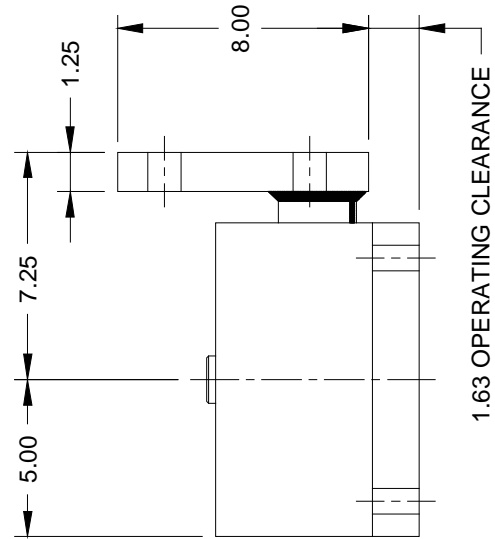
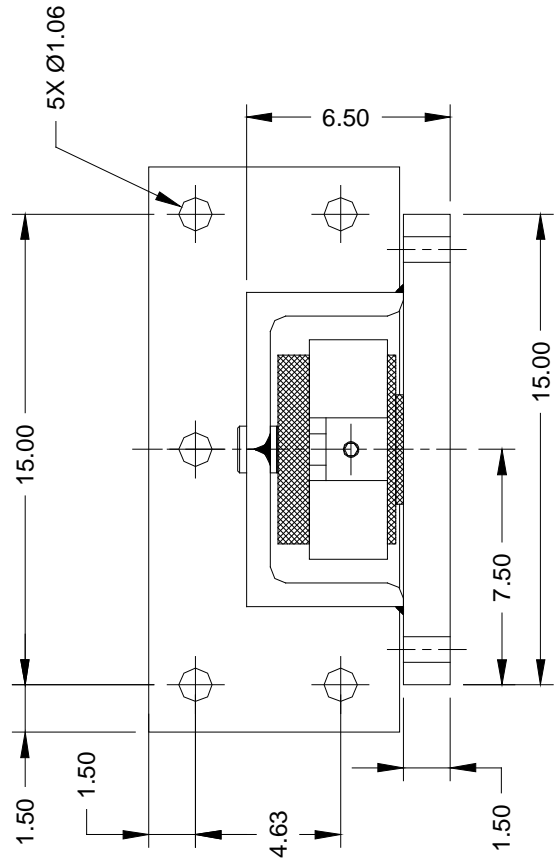
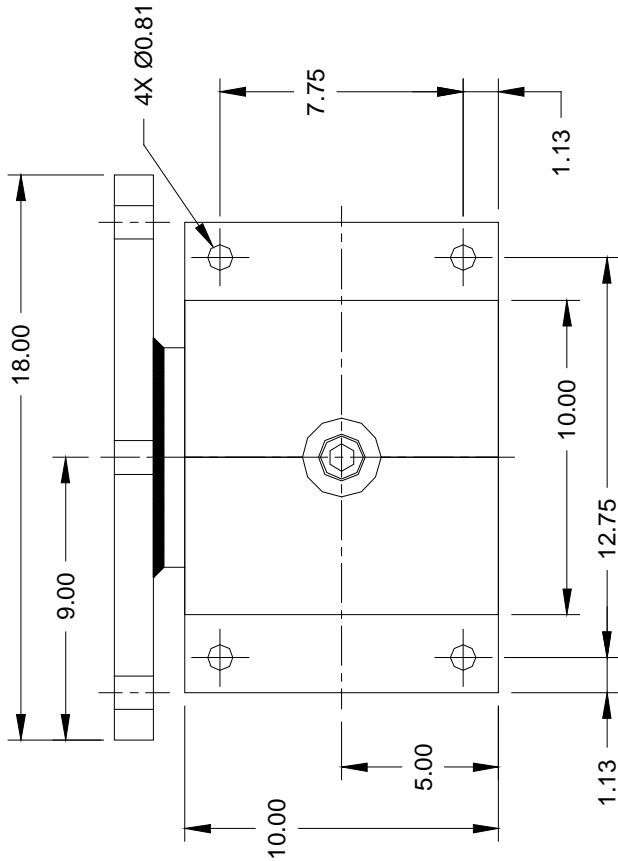


SPECIFICATIONS:

- 1.) 3-AXIS RESTRAINT WITH REPLACEABLE NEOPRENE SNUBBING ELEMENTS.
- 2.) HOT DIPPED GALVANIZED.
- 3.) HOUSINGS MAY BE USED FOR BLOCKING DURING EQUIPMENT ERECTION.
- 4.) CAN BE USED WITH OR WITHOUT SPRING COIL(S).



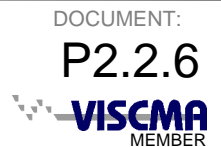
FMSE SUBMITTAL DATA

PAGE 1 OF 2 – DRAWING: S-01-40.500 (2-D DATA)

RELEASE DATE: 5/4/04

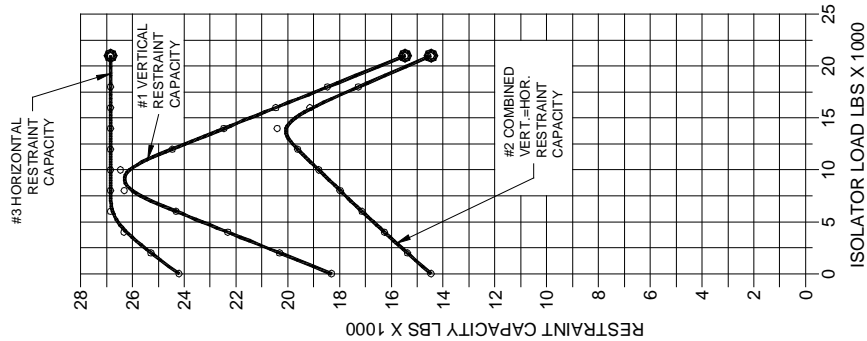


Toll Free (USA only): 800-959-1229
 International: 614-889-0480
 Fax: 614-889-0540
 World Wide Web: www.kineticsnoise.com
 Email: sales@kineticsnoise.com

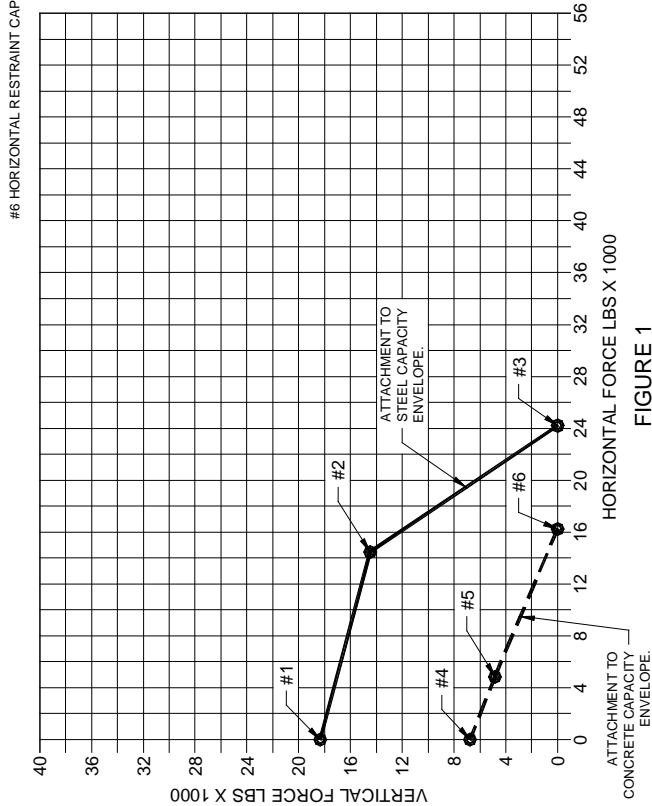


INSTRUCTIONS FOR CONSTRUCTION OF A CAPACITY ENVELOPE:

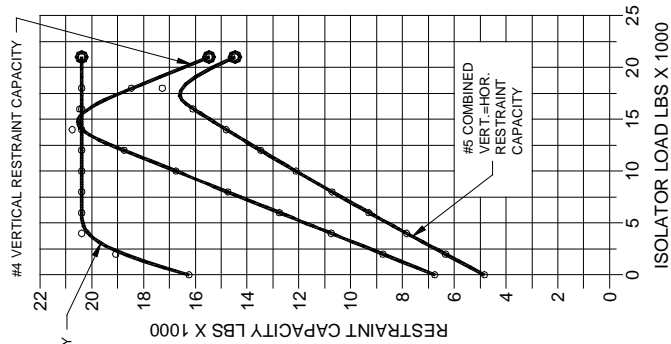
- 1.) TO GENERATE THE SEISMIC RESTRAINT CAPACITY ENVELOPE, THE HIGHEST ISOLATOR LOAD FOR THE PIECE OF EQUIPMENT UNDER REVIEW IS USED AS A STARTING POINT.
- 2.) DETERMINE WHETHER THE ATTACHMENT IS TO BE TO STEEL, SELECT FIGURE 2, OR CONCRETE, SELECT FIGURE 3.
- 3.) THE VERTICAL RESTRAINT CAPACITY @ THE LOAD DETERMINED IN STEP 1 IS READ FROM CURVE #1 (FIG. 2) OR CURVE #4 (FIG. 3) AND PLOTTED ON THE VERTICAL AXIS OF FIGURE 1.
- 4.) THE HORIZONTAL RESTRAINT CAPACITY @ THE LOAD DETERMINED IN STEP 1 IS READ FROM CURVE #3 (FIG. 2) OR CURVE #6 (FIG. 3) AND PLOTTED ON THE HORIZONTAL AXIS OF FIGURE 1.
- 5.) THE COMBINED RESTRAINT CAPACITY IS THE POINT WHERE VERTICAL & HORIZONTAL CAPACITIES ARE EQUAL. THE COMBINED RESTRAINT CAPACITY @ THE LOAD DETERMINED IN STEP 1 IS READ FROM CURVE #2 (FIG. 2) OR CURVE #5 (FIG. 3). DRAW A HORIZONTAL LINE FROM THIS VALUE ON THE VERTICAL AXIS, AND A VERTICAL LINE FROM THIS VALUE ON THE HORIZONTAL AXIS. THE INTERSECTION POINT IS THE COMBINED CAPACITY POINT FOR THE GIVEN APPLICATION.
- 6.) CONNECT THE VERTICAL RESTRAINT CAPACITY, COMBINED RESTRAINT CAPACITY, AND THE HORIZONTAL RESTRAINT CAPACITY POINTS THAT YOU PLOTTED FOR YOUR APPLICATION. THIS WILL PRODUCE THE RESTRAINT CAPACITY ENVELOPE FOR YOUR APPLICATION.
- 7.) FOR THE RESTRAINT TO BE SUITABLE FOR THE APPLICATION, ALL WORST CASE SEISMIC LOAD COMBINATIONS MUST FALL WITHIN THE RESTRAINT ENVELOPE.



**FIGURE 2
STEEL ATTACHMENT**



**FIGURE 1
RESTRAINT CAPACITY ENVELOPE**



**FIGURE 3
CONCRETE ATTACHMENT**

FMSE SUBMITTAL DATA

PAGE 2 OF 2 – DRAWING: S-01-40.500 (2-D DATA)

RELEASE DATE: 5/4/04



DUBLIN, OHIO, USA • MISSISSAUGA, ONTARIO, CANADA

Toll Free (USA only): 800-959-1229
 International: 614-889-0480
 Fax: 614-889-0540
 World Wide Web: www.kineticsnoise.com
 Email: sales@kineticsnoise.com

