

MODEL SRPH 1-35/805 ISOLATOR

PAGE 1 OF 6



DUBLIN, OHIO, USA • MISSISSAUGA, ONTARIO, CANADA

Toll Free (USA only): 800-959-1229
 International: 614-889-0480
 Fax: 614-889-0540
 World Wide Web: www.kineticsnoise.com
 Email: sales@kineticsnoise.com

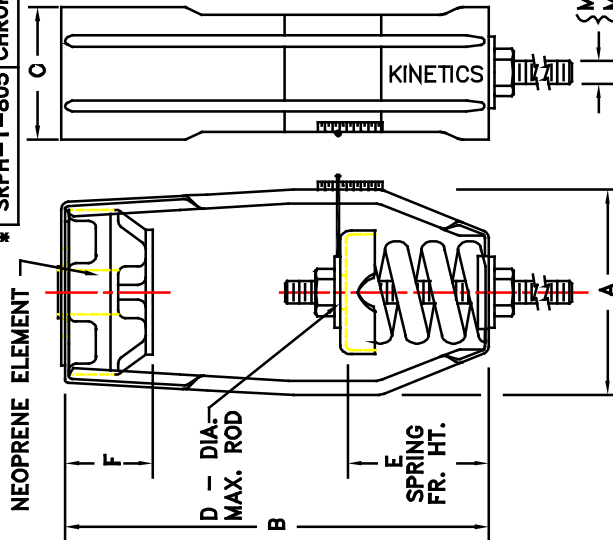
DOCUMENT:

R3.5



NOTE:
ALL DIMENSIONS SHOWN IN INCHES AND MILLIMETERS.

MODEL	SPRING COLOR	RATED LOAD LB/KG	RATED DEFLECTION IN/MM	DIMENSIONS IN INCHES					
				A	B	C	D	E	F
SRPH-1-35	BLUE	35/16	1.62/41	3.69/94	7.38/187	2.25/57	0.63/16	3.19/81	1.61/41
SRPH-1-70	GREEN	70/32	1.56/40	3.69/94	7.38/187	2.25/57	0.63/16	3.19/81	1.61/41
SRPH-1-125	GRAY	125/57	1.57/40	3.69/94	7.38/187	2.25/57	0.63/16	3.19/81	1.61/41
SRPH-1-245	BROWN	245/111	1.50/38	3.69/94	7.38/187	2.25/57	0.63/16	3.19/81	1.61/41
SRPH-1-370	ORANGE	370/168	1.30/33	3.69/94	7.38/187	2.25/57	0.63/16	3.19/81	1.61/41
SRPH-1-500	BEIGE	500/227	1.40/36	3.69/94	7.38/187	2.25/57	0.63/16	3.19/81	1.78/45
SRPH-1-600	CHROME	600/273	1.35/34	3.69/94	7.38/187	2.25/57	0.63/16	3.19/81	1.78/45
SRPH-1-700	BEIGE/WHITE	700/318	1.31/33	3.69/94	7.38/187	2.25/57	0.63/16	3.19/81	1.78/45
SRPH-1-805	CHROME/WHITE	805/366	1.32/34	3.69/94	7.38/187	2.25/57	0.63/16	3.19/81	1.78/45



SRPH-1 ISOLATION HANGERS HAVE A MINIMUM K_x/K_y OF 1.0
 SRPH-1 ISOLATION HANGERS HAVE A TYPICAL OVERLOAD CAPACITY OF 50%
 SRPH-1 SPRING ELEMENTS ARE SAFE FOR SOLID LOADING
 SRPH-1 HANGER BRACKETS WILL CARRY (5) TIMES OVERLOAD WITHOUT FAILURE
 SRPH-1 HANGER BRACKETS WILL ALLOW 30° ROD MISALIGNMENT WITHOUT SHORT CIRCUITING EXCEPT AS NOTED *
 SRPH-1 SPRING ELEMENTS AND BRACKETS ARE POWDER COATED. LOAD PLATES ARE BRIGHT ZINC PLATED.
 SRPH-1 ISOLATION HANGERS MARKED * HAVE A NEOPRENE BOTTOM SPRING CAP WITH GROMMET.

{ MODEL SRPH-1-35/370 SUPPLIED WITH 0.50/12.7 DIA. ROD
 { MODEL SRPH-1-500/805 SUPPLIED WITH 0.63/15.9 DIA. ROD

TITLE: **KINETICS Noise Control**

MODEL SRPH-1 HANGER

REVISOR: BB

REVISIONS: 02/21/02

DRAWING NO. S-03.47-1A

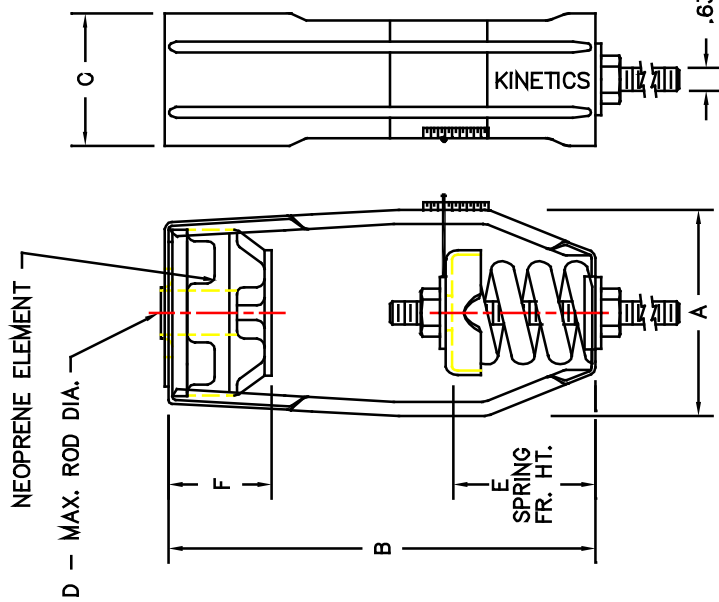
LAST DATE REVISED: 02/21/02

REVISED BY: BB

DRAWING NO. S-03

MODEL	SPRING COLOR	RATED LOAD LB/KG	RATED DEFLECTION IN/MM	DIMENSIONS IN INCHES					
				A	B	C	D	E	F
SRPH-1-250	BLUE	250/114	2.14/54	5.58/142	8.59/218	3.63/92	.88/22	4.00/100	1.86/47
SRPH-1-450	GREEN	450/205	1.94/49	5.58/142	8.59/218	3.63/92	.88/22	4.00/100	1.86/47
SRPH-1-625	BLACK	625/284	1.79/45	5.58/142	8.59/218	3.63/92	.88/22	4.00/100	1.86/47
SRPH-1-800	GRAY	800/364	1.62/41	5.58/142	8.59/218	3.63/92	.88/22	4.00/100	1.86/47
SRPH-1-1000	RED	1000/455	1.50/38	5.58/142	8.59/218	3.63/92	.88/22	4.00/100	1.86/47

NOTE:
ALL DIMENSIONS SHOWN IN
INCHES AND MILLIMETERS.



SRPH-1 ISOLATION HANGERS HAVE A MINIMUM K_x/K_y OF 1.4
 SRPH-1 SPRING ELEMENTS ARE SAFE FOR SOLID LOADING
 SRPH-1 HANGER BRACKETS WILL CARRY (5) TIMES OVERLOAD WITHOUT FAILURE
 SRPH-1 HANGER BRACKETS WILL ALLOW 30° ROD MISALIGNMENT WITHOUT SHORT CIRCUITING
 SRPH-1 SPRING ELEMENTS AND BRACKETS ARE POWDER COATED, LOAD PLATES ARE BRIGHT ZINC PLATED.

	TITLE	MODEL SRPH-1 HANGER	LAST DATE REVISED	4/17/96	DRAWN BY	DW	DRAWING NO.	S-03.47-1B
	S-DWG							

MODEL SRPH 1-250/1000 ISOLATOR

PAGE 2 OF 6

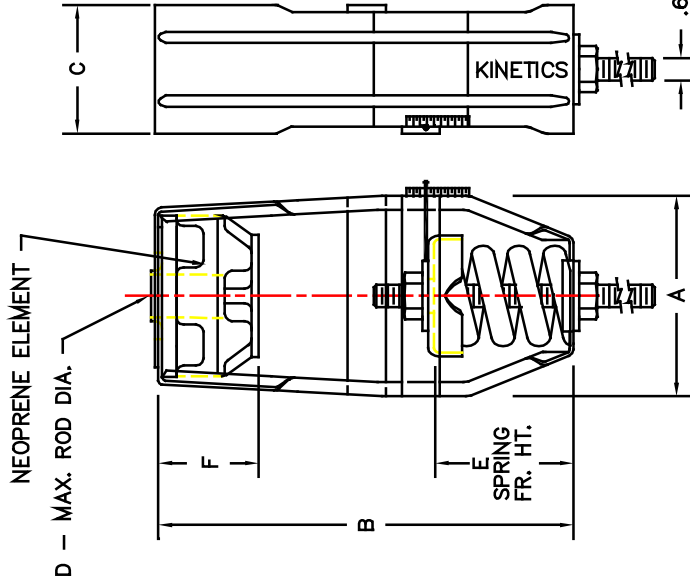
DUBLIN, OHIO, USA • MISSISSAUGA, ONTARIO, CANADA

Toll Free (USA only): 800-959-1229
 International: 614-889-0480
 Fax: 614-889-0540
 World Wide Web: www.kineticsnoise.com
 Email: sales@kineticsnoise.com

DOCUMENT:
R3.5

NOTE:
ALL DIMENSIONS SHOWN IN
INCHES AND MILLIMETERS.

MODEL	SPRING COLOR	RATED LOAD LB/KG	RATED DEFLECTION IN/MM	DIMENSIONS IN INCHES					
				A	B	C	D	E	F
SRPH-1-1250	BROWN	1250/568	1.28/33	5.68/142	8.59/218	3.63/92	.88/22	4.00/100	1.86/47
SRPH-1-1700	ORANGE	1700/773	1.34/34	5.68/142	8.59/218	3.63/92	.88/22	4.00/100	1.86/47



SRPH-1 ISOLATION HANGERS HAVE A MINIMUM K_x/K_y OF 1.2
 SRPH-1 SPRING ELEMENTS ARE SAFE FOR SOLID LOADING
 SRPH-1 HANGER BRACKETS WILL CARRY (5) TIMES OVERLOAD WITHOUT FAILURE
 SRPH-1 HANGER BRACKETS WILL ALLOW 30° ROD MISALIGNMENT WITHOUT SHORT CIRCUITING
 SRPH-1 SPRING ELEMENTS AND BRACKETS ARE POWDER COATED, LOAD PLATES ARE BRIGHT ZINC PLATED.



TITLE

MODEL SRPH-1 HANGER

LAST DATE
REVISED
4/17/96

DRAWN BY
DW

DRAWING NO.
S-03.47-1C

MODEL SRPH 1-1250/1700 ISOLATOR

PAGE 3 OF 6

DUBLIN, OHIO, USA • MISSISSAUGA, ONTARIO, CANADA

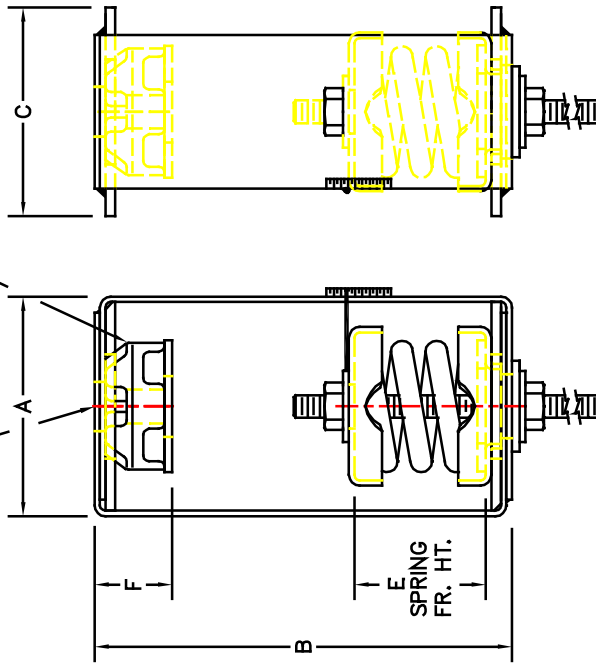
Toll Free (USA only): 800-959-1229
 International: 614-889-0480
 Fax: 614-889-0540
 World Wide Web: www.kineticsnoise.com
 Email: sales@kineticsnoise.com

DOCUMENT:
R3.5

NOTE:
ALL DIMENSIONS SHOWN IN
INCHES AND MILLIMETERS.

MODEL	SPRING COLOR	RATED LOAD LB/KG	RATED DEFLECTION IN/MM	DIMENSIONS IN INCHES / MILLIMETERS					
				A IN/MM	B IN/MM	C IN/MM	D IN/MM	E IN/MM	F IN/MM
SRPH-1-2200	ORANGE/GRAY	2200/998	1.36/32	5.00/127	9.50/241	4.75/121	.88/22	4.00/102	1.86/47
SRPH-1-2465	BLUE	2465/1118	1.42/33	5.00/127	9.50/241	4.75/121	.88/22	4.00/102	1.86/47
SRPH-1-2865	BLUE/GRAY	2865/1300	1.20/34	5.00/127	9.50/241	4.75/121	.88/22	4.00/102	1.86/47
SRPH-1-3500	BLUE/BROWN	3500/1588	1.18/30	5.00/127	9.50/241	4.75/121	.88/22	4.00/102	1.86/47

D - MAX. ROD DIA.
NEOPRENE
ELEMENT



SRPH-1 ISOLATION HANGERS HAVE A MINIMUM Kx/Ky OF 1.0
 SRPH-1 SPRING ELEMENTS ARE SAFE FOR SOLID LOADING
 SRPH-1 HANGER BRACKETS WILL CARRY (5) TIMES OVERLOAD WITHOUT FAILURE
 SRPH-1 HANGER BRACKETS WILL ALLOW 30° ROD MISALIGNMENT WITHOUT SHORT CIRCUITING
 SRPH-1 SPRING ELEMENTS AND BRACKETS ARE POWDER COATED. LOAD PLATES ARE BRIGHT ZINC PLATED.

NOTE:
ALL THREADED MEMBERS ARE AMERICAN STANDARD.

---| |---.75/19 DIA.

	TITLE	DRAWN BY	DRAWING NO.
	MODEL SRPH-1 HANGER	DW	S-03.47-1D
	LAST DATE REVISED		
	10/02/96		

MODEL SRPH 1-2200/3500 ISOLATOR

PAGE 4 OF 6

DUBLIN, OHIO, USA • MISSISSAUGA, ONTARIO, CANADA

Toll Free (USA only): 800-959-1229
 International: 614-889-0480
 Fax: 614-889-0540
 World Wide Web: www.kineticsnoise.com
 Email: sales@kineticsnoise.com

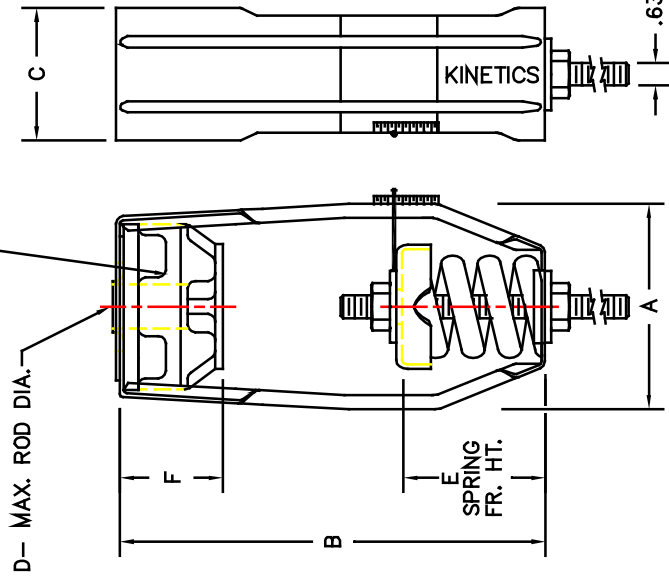
DOCUMENT:

R3.5



NOTE: ALL DIMENSIONS SHOWN IN INCHES AND MILLIMETERS.	MODEL	SPRING COLOR	RATED LOAD LB/KG	RATED DEFLECTION IN/MM	DIMENSIONS IN INCHES					
					A	B	C	D	E	F
	SRPH-2-260	BLUE	260/118	2.14/54	5.58/142	8.59/218	3.63/92	.88/22	4.00/100	1.86/47
	SRPH-2-465	GREEN	465/211	2.00/50	6.68/142	8.69/218	3.63/92	.88/22	4.00/100	1.86/47
	SRPH-2-720	BLACK	720/328	2.00/50	5.58/142	8.59/218	3.63/92	.88/22	4.00/100	1.86/47
	SRPH-2-850	WHITE	850/386	2.03/52	5.58/142	8.59/218	3.63/92	.88/22	4.25/108	1.86/47
	SRPH-2-1025	BEIGE	1025/466	2.00/50	5.58/142	8.59/218	3.63/92	.88/22	4.25/108	1.86/47
	SRPH-2-1200	CHROME	1200/546	2.03/52	5.58/142	8.59/218	3.63/92	.88/22	4.50/114	1.86/47

NEOPRENE ELEMENT



SRPH-2 ISOLATION HANGERS HAVE A MINIMUM Kx/Ky OF 1.4
 SRPH-2 SPRING ELEMENTS ARE SAFE FOR SOLID LOADING
 SRPH-2 HANGER BRACKETS WILL CARRY (5) TIMES OVERLOAD WITHOUT FAILURE
 SRPH-2 HANGER BRACKETS WILL ALLOW 30° ROD MISALIGNMENT WITHOUT SHORT CIRCUITING
 SRPH-2 SPRING ELEMENTS AND BRACKETS ARE POWDER COATED, LOAD PLATES ARE BRIGHT ZINC PLATED.

	TITLE	MODEL SRPH-2 HANGER	LAST DATE REVISED	4/17/96	DRAWN BY	DW	DRAWING NO.	S-03.47-2B	S-DWG

MODEL SRPH 2-260/1200 ISOLATOR

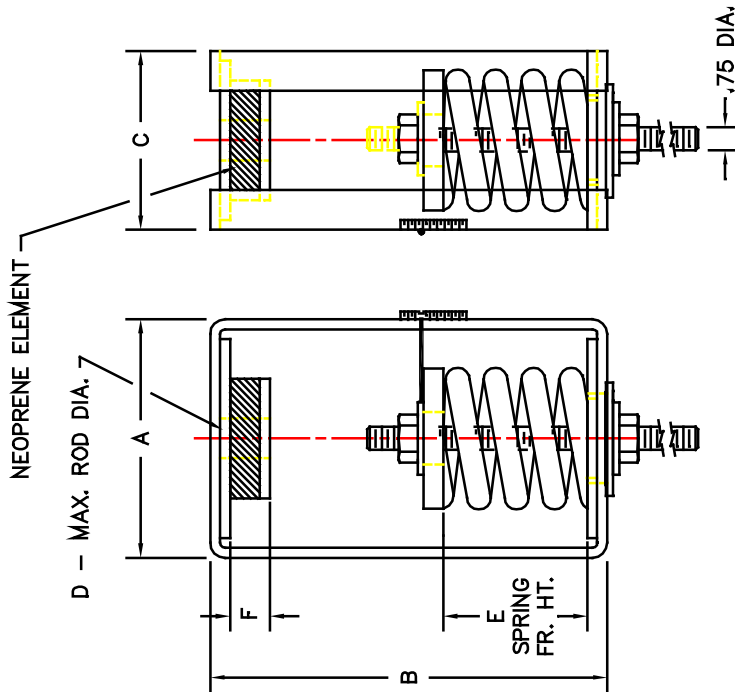
PAGE 5 OF 6

DUBLIN, OHIO, USA • MISSISSAUGA, ONTARIO, CANADA

Toll Free (USA only): 800-959-1229
 International: 614-889-0480
 Fax: 614-889-0540
 World Wide Web: www.kineticsnoise.com
 Email: sales@kineticsnoise.com

DOCUMENT:
R3.5

RATED LOAD POUNDS	SPRING COLOR	RATED DEFLECTION INCHES	DIMENSIONS IN INCHES					
			A	B	C	D	E	F
SRPH-2-2000	ORANGE	2.11	6.00	12.00	6.00	1.00	7.00	1.25
SRPH-2-2500	BLUE	2.12	6.00	12.00	6.00	1.00	7.00	1.25



SRPH-2 ISOLATION HANGERS HAVE A MINIMUM K_x/K_y OF 1.4
 SRPH-2 SPRING ELEMENTS ARE SAFE FOR SOLID LOADING
 SRPH-2 HANGER BRACKETS WILL CARRY (5) TIMES OVERLOAD WITHOUT FAILURE
 SRPH-2 HANGER BRACKETS WILL ALLOW 30° ROD MISALIGNMENT WITHOUT SHORT CIRCUITING
 SRPH-2 SPRING ELEMENTS AND BRACKETS ARE PAINTED/LOAD PLATES ARE BRIGHT ZINC PLATED.

KINETICS
Noise Control

TITLE
MODEL SRPH-2 HANGER

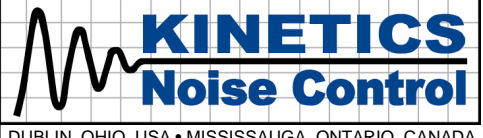
LAST DATE REVISED
4/17/96

DRAWN BY
DW

DRAWING NO. S-DWG
S-03.47-2C

MODEL SRPH 2-2000/2500 ISOLATOR

PAGE 6 OF 6



DUBLIN, OHIO, USA • MISSISSAUGA, ONTARIO, CANADA

Toll Free (USA only): 800-959-1229
 International: 614-889-0480
 Fax: 614-889-0540
 World Wide Web: www.kineticsnoise.com
 Email: sales@kineticsnoise.com

DOCUMENT:

R3.5

