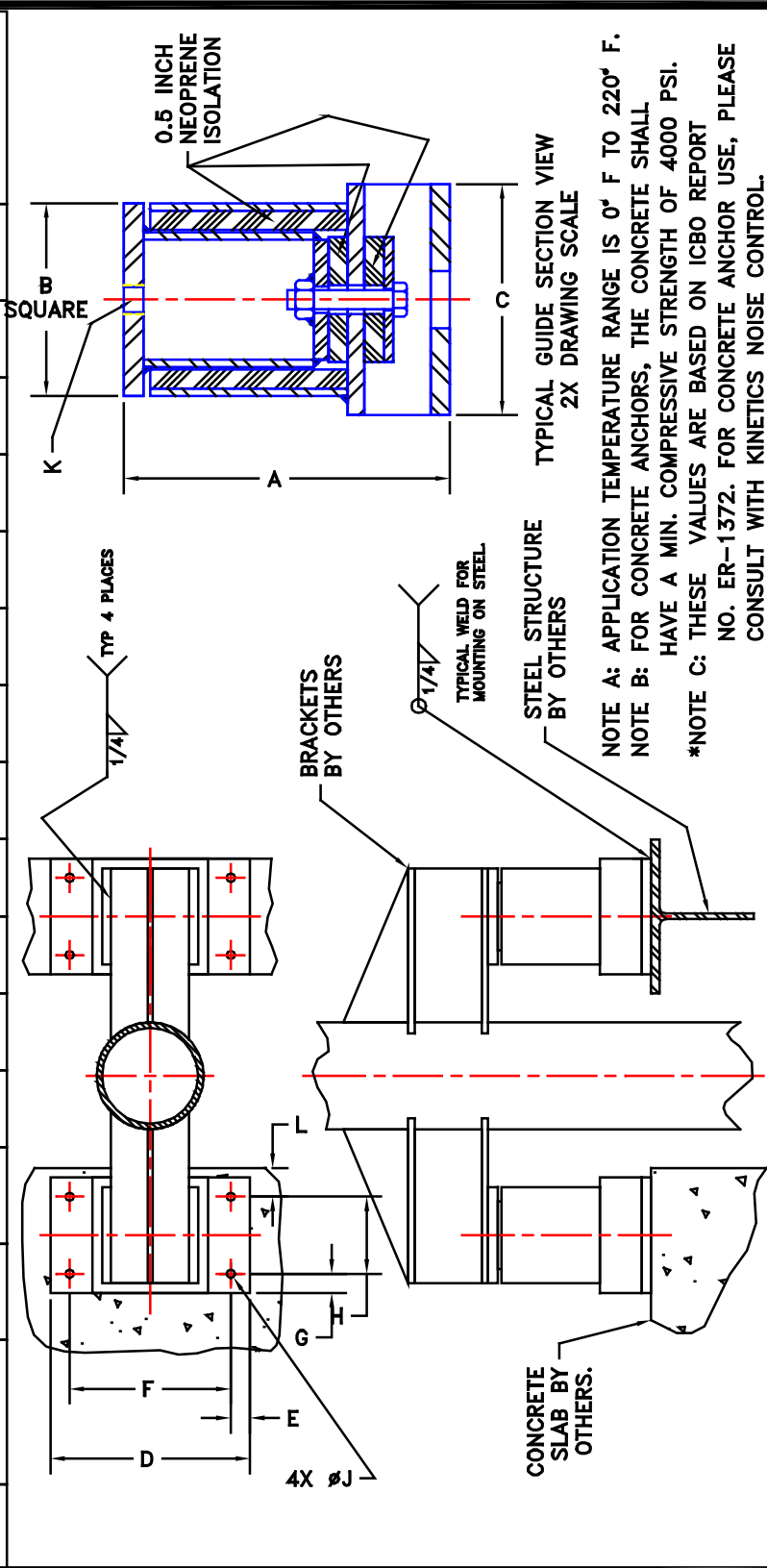


ITEM NO.	MODEL	CAPACITY (LBS)		A	B	C	D	E	F	G	H	J	K	L MIN *	ANCHOR EMBED *	CONCRETE CAP. REDUCTION FACTOR *
		SINGLE	PAIR													
01	KPA-2500	2500	5000	6.34	5.00	6.00	10.63	1.00	8.63	1.00	4.00	0.69	0.75	3.88	5.13	0.74
02	KPA-5000	5000	10000	8.47	5.00	6.00	10.63	1.00	8.63	1.00	4.00	0.69	0.75	3.88	5.13	0.29
03	KPA-10000	10000	20000	10.90	8.00	9.00	16.00	1.63	12.75	1.63	5.75	0.81	1.00	5.00	6.63	0.20
04	KPA-20000	20000	40000	11.80	10.00	11.00	20.50	1.94	16.63	1.94	7.13	1.06	N/A	7.38	7.38	0.16



	MODEL KPA	REVISION NO.	SS-dwg
	ANCHOR INSTALLATION ENGLISH VERSION	REVISED BY	SS-20010610 (E)
TITLE	LAST DATE REVISED	REVISION NO.	
	6-28-01	RSS	

**MODEL KPA (RISER ANCHOR) – 60 DUROMETER**

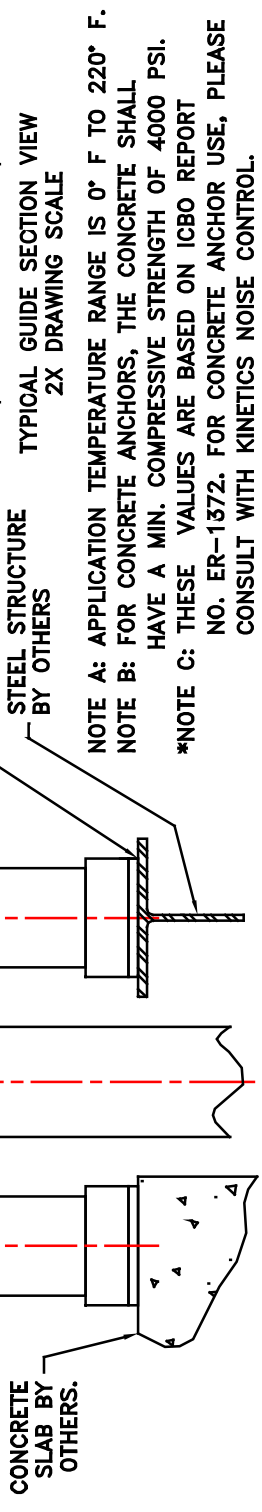
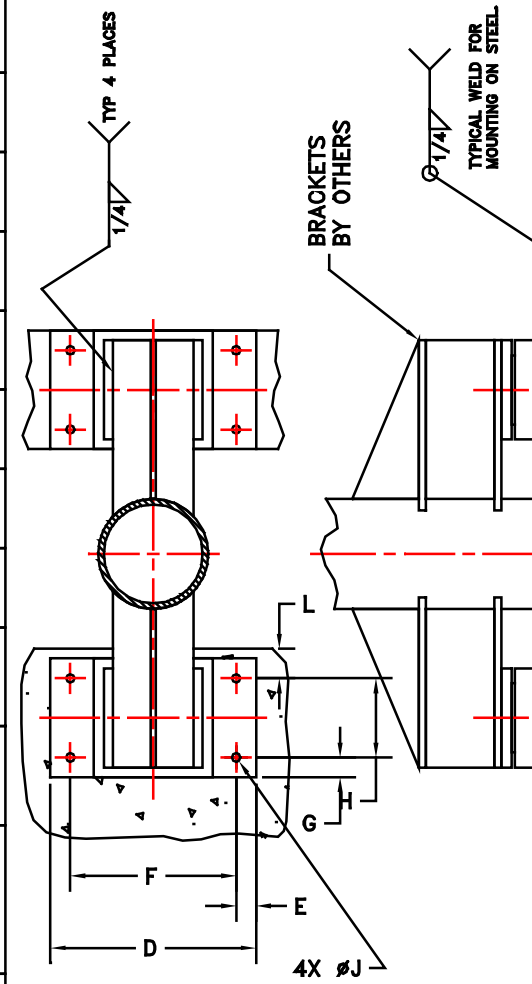
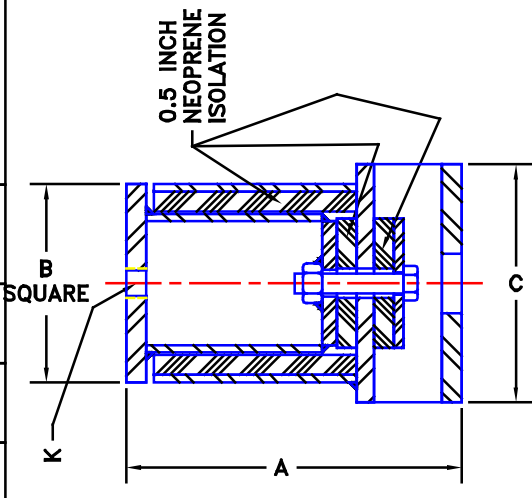
PAGE 1 OF 2

DUBLIN, OHIO, USA • MISSISSAUGA, ONTARIO, CANADA

Toll Free (USA only): 800-959-1229  
 International: 614-889-0480  
 Fax: 614-889-0540  
 World Wide Web: www.kineticsnoise.com  
 Email: sales@kineticsnoise.com

DOCUMENT:  
**R3.1**

ITEM NO.	MODEL	CAPACITY (LBS)		A	B	C	D	E	F	G	H	J	K	L MIN *	ANCHOR EMBED * #	CONCRETE CAP. REDUCTION FACTOR *
		SINGLE	PAIR													
01	KPA-4000	4000	8000	6.34	5.00	6.00	10.63	1.00	8.63	1.00	4.00	0.69	0.75	3.88	5.13	0.74
02	KPA-8000	8000	16000	8.47	5.00	6.00	10.63	1.00	8.63	1.00	4.00	0.69	0.75	3.88	5.13	0.29
03	KPA-16000	16000	32000	10.90	8.00	9.00	16.00	1.63	12.75	1.63	5.75	0.81	1.00	5.00	6.63	0.20
04	KPA-32000	32000	74000	11.80	10.00	11.00	20.50	1.94	16.63	1.94	7.13	1.06	N/A	7.38	7.38	0.16



CONCRETE SLAB BY OTHERS.

STEEL STRUCTURE BY OTHERS

BRACKETS BY OTHERS

TYPICAL WELD FOR MOUNTING ON STEEL

1/4"

0.5 INCH NEOPRENE ISOLATION

SQUARE

K

A

B

C

TYPICAL GUIDE SECTION VIEW  
2X DRAWING SCALE

NOTE A: APPLICATION TEMPERATURE RANGE IS 0° F TO 220° F.  
NOTE B: FOR CONCRETE ANCHORS, THE CONCRETE SHALL HAVE A MIN. COMPRESSIVE STRENGTH OF 4000 PSI.  
\*NOTE C: THESE VALUES ARE BASED ON ICBO REPORT NO. ER-1372. FOR CONCRETE ANCHOR USE, PLEASE CONSULT WITH KINETICS NOISE CONTROL.

	TITLE	MODEL KPA-90d	LAST DATE REVISED	REVISION NO.	DRAWING NO.
	ANCHOR INSTALLATION ENGLISH VERSION	6-28-01	PWM	SS-20010611 (E)	SS-dwg

# MODEL KPA (RISER ANCHOR) – 90 DUROMETER

PAGE 2 OF 2

DUBLIN, OHIO, USA • MISSISSAUGA, ONTARIO, CANADA

Toll Free (USA only): 800-959-1229  
 International: 614-889-0480  
 Fax: 614-889-0540  
 World Wide Web: www.kineticsnoise.com  
 Email: sales@kineticsnoise.com

DOCUMENT:  
**R3.1**