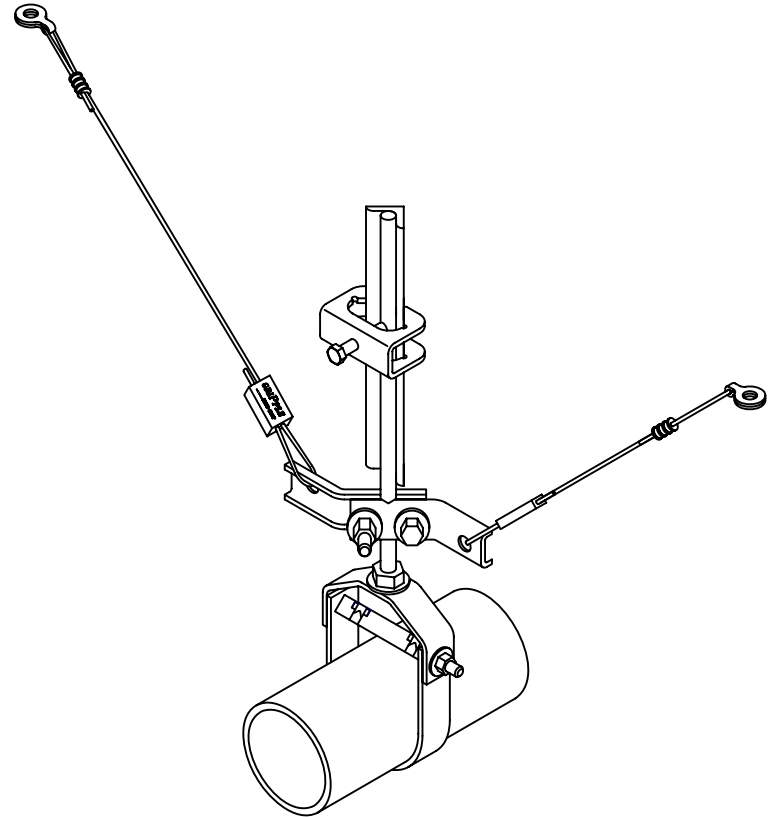


OPTIONAL ARRANGEMENT



OPTIONAL ARRANGEMENT

KINETICS MODEL KSCU SEISMIC CABLE
RESTRAINT KIT WITH KHRC ROD STIFFENER
CLAMPS AND KCHB CLEVIS BRACE
ASHRAE TYPE J