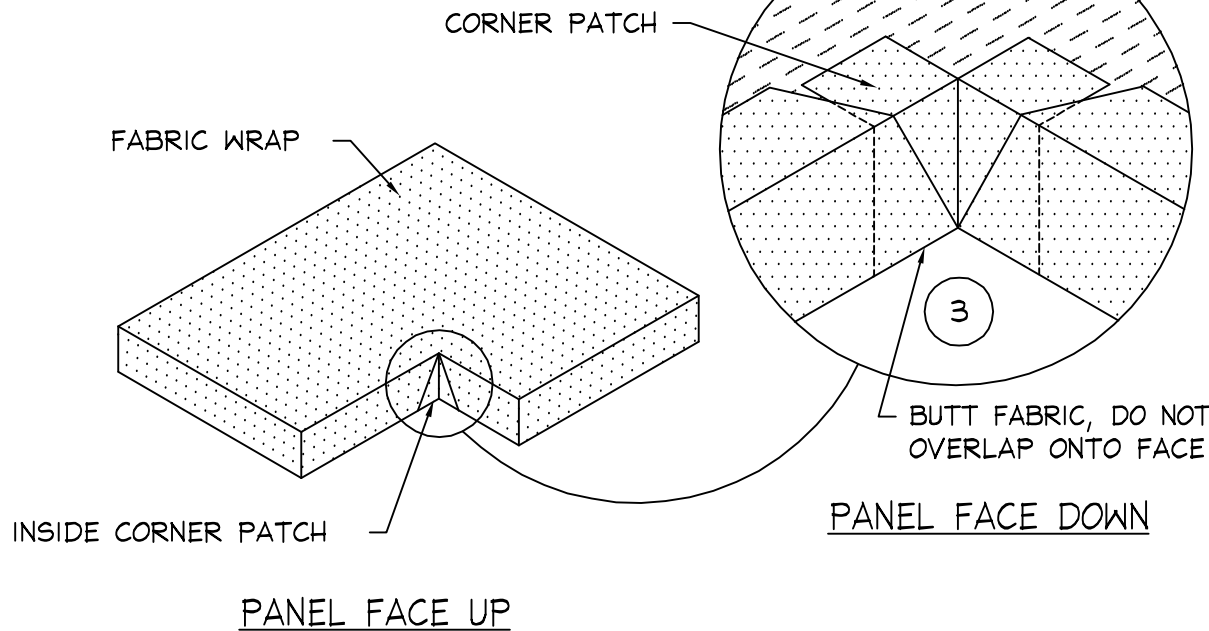


① PANEL FACE UP

② PANEL FACE UP

INSTRUCTIONS:



- 1A. PEEL FABRIC BACK PAST DESIRED CUT LINE
HINT: USE A HEAT GUN TO RELEASE GLUE
- 1B. CUT PANEL, FACE UP, WITH A STRAIGHT EDGE AND RAZOR KNIFE (CARE SHOULD BE TAKEN NOT TO CUT FABRIC)
- 1C. CUT FABRIC ON A 45° ANGLE INTO CORNER
- 2A. CUT SCRAP PIECE OF FABRIC TO FIT EXPOSED CORE IN THE INSIDE CORNER AND ADHERE INTO PLACE (BUTT PATCH INTO CORNER, DO NOT OVERLAP ONTO FACE)
- 3A. APPLY SPRAY ADHESIVE TO EXPOSED PANEL CORE AND REWRAP FABRIC (ALL FIELD ALTERATIONS REQUIRE 1" FABRIC RETURN ON PANEL BACK)
- 3B. PINCH EXCESS FABRIC TOGETHER, ON OUTSIDE CORNER, WITH FINGERS AND CUT OFF FLAP WITH SCISSORS.