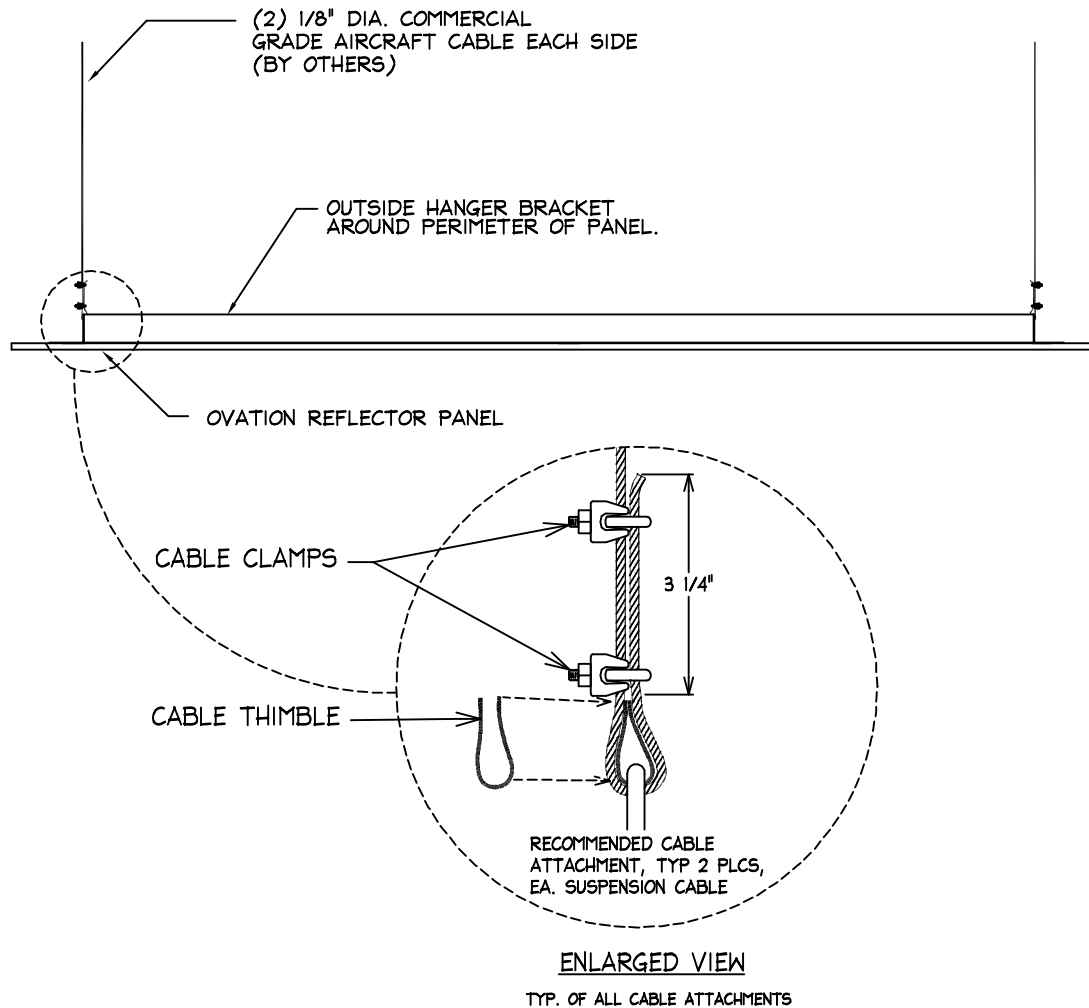


SUGGESTED INSTALLATION INSTRUCTIONS  
FOR  
FLAT OVATION REFLECTOR PANELS



1. ATTACH 1/8" DIA. AIRCRAFT CABLE TO CEILING STRUCTURE AND FASTEN TO ITSELF USING CABLE CLAMPS (BY OTHERS).
2. ALLOW EXCESS AMOUNTS OF CABLE TO HANG DOWN AT EACH LOCATION TO ATTACH TO REFLECTOR PANEL.
3. HOIST PANEL INTO POSITION.
4. THREAD AIRCRAFT CABLE THRU RESPECTIVE HOLE AND FASTEN CABLE TO ITSELF USING CABLE CLAMPS (BY OTHERS).
5. PANEL WEIGHT APPROXIMATELY 3 LBS / SQ. FT.



TITLE SUGGESTED INSTALLATION INSTRUCTIONS FOR FLAT OVATION REFLECTOR PANELS

LAST DATE REVISED  
4/23/09

DRAWN BY  
JAA

DRAWING NO. T-DWG  
INSTAL43.DWG