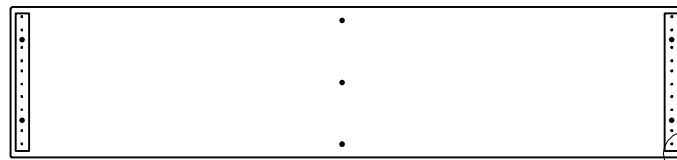
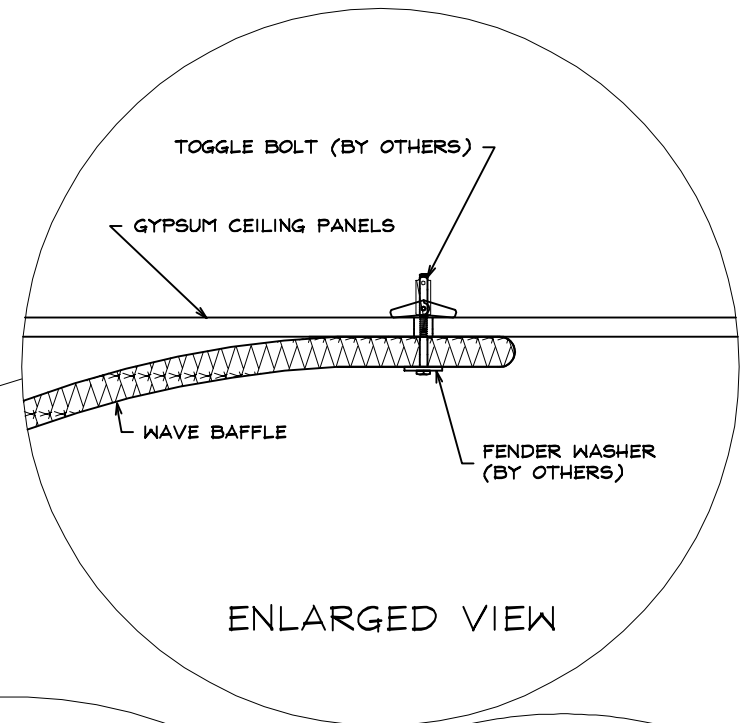
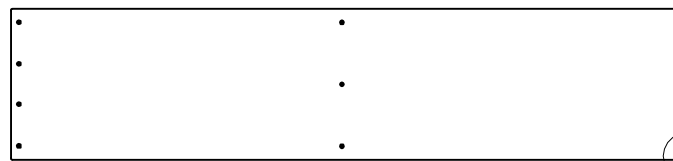


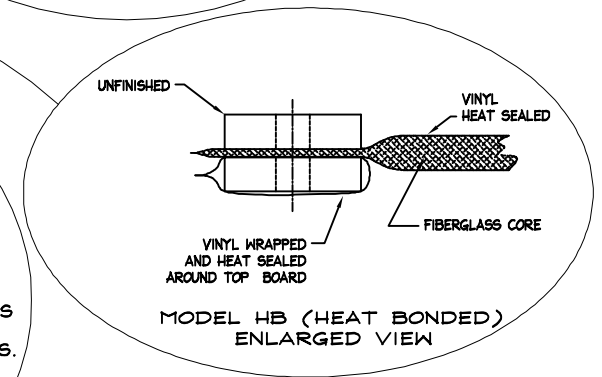
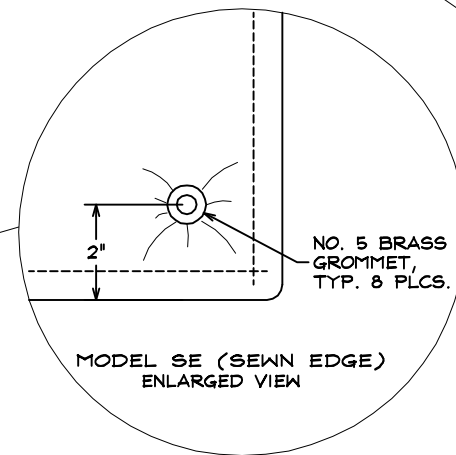
LOCATE ACOUSTIC WAVE BAFFLE ACCORDING TO ARCHITECT'S PLANS. ATTACH BAFFLE TO GYPSUM CEILING UTILIZING 3/16" DIA. X 4" LONG TOGGLE BOLTS AND FENDER WASHERS (SUPPLIED BY OTHERS) THROUGH GROMMETS PROVIDED IN BAFFLE.



MODEL HB



TYPICAL ACOUSTIC WAVE BAFFLE, TOP VIEW
MODEL SE



TITLE
INSTALLATION:
GYPSUM/PLASTER CEILINGS
WAVE BAFFLE

LAST DATE
REVISED
4/27/09

DRAWN BY
JAA

DRAWING NO.
INSTAL38
T-DWG