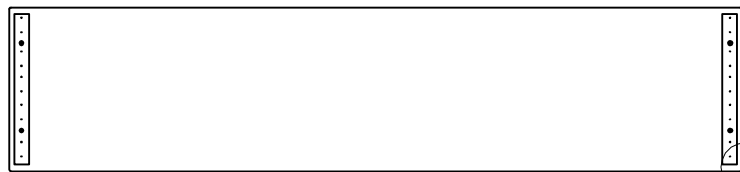
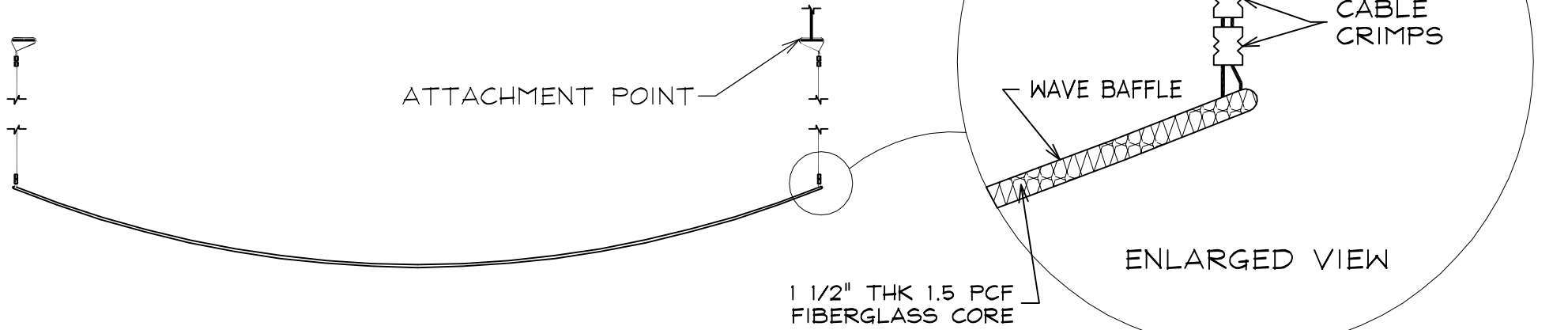


LOCATE ACOUSTIC WAVE BAFFLE ACCORDING TO ARCHITECT'S PLANS. ATTACH SUSPENSION CABLE TO BAFFLE THROUGH GROMMETS PROVIDED IN BAFFLE AND SECURE WITH CRIMP SLEEVES. THREAD OTHER END OF CABLE THROUGH MOUNTING HOLE (SCREW EYE, BEAM, ETC.) AND ADJUST TO PROPER HEIGHT. SECURE WITH CRIMP SLEEVES AND TRIM EXCESS CABLE.

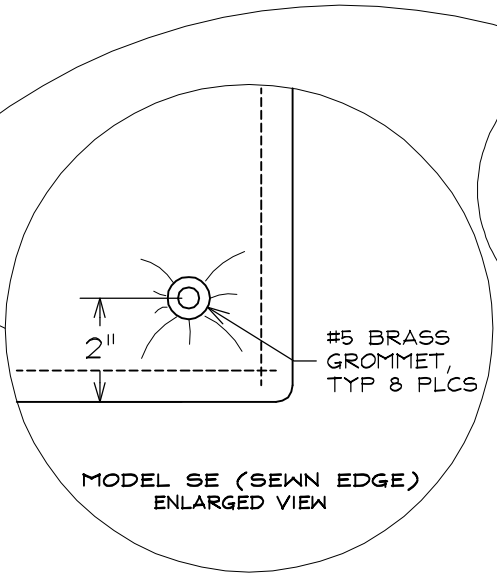


MODEL HB

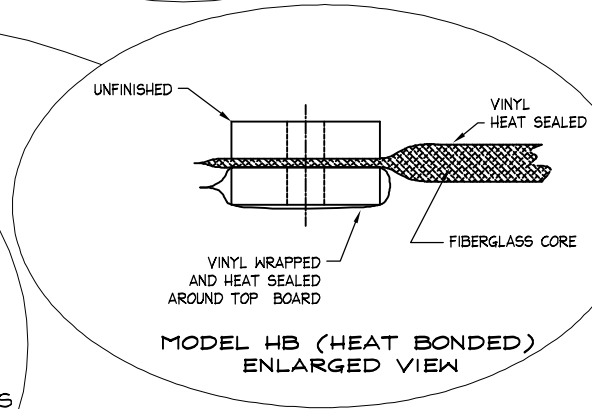


MODEL SE

TYPICAL ACOUSTIC WAVE BAFFLE, TOP VIEW



MODEL SE (SEWN EDGE) ENLARGED VIEW



MODEL HB (HEAT BONDED) ENLARGED VIEW



TITLE INSTALLATION INSTRUCTIONS:
SUSPENDED
WAVE BAFFLE

LAST DATE
REVISED
4/27/09

DRAWN BY
JAA

DRAWING NO.
INSTAL37.DWG
T-DWG