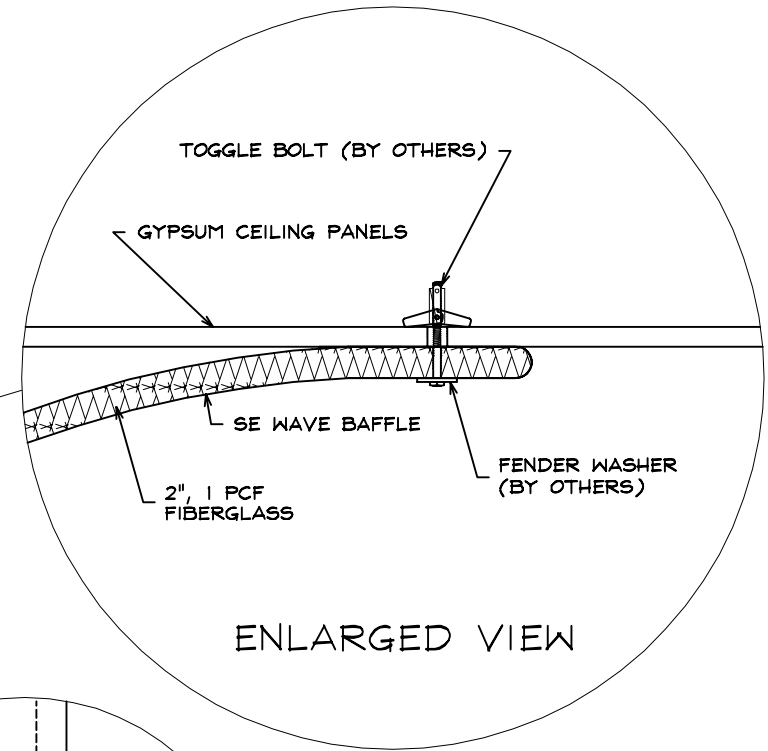
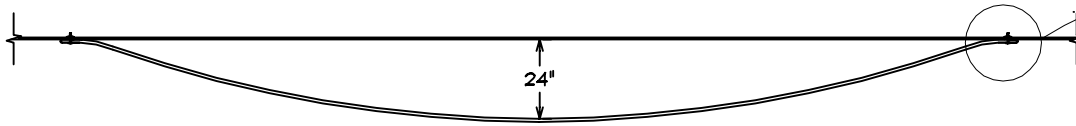
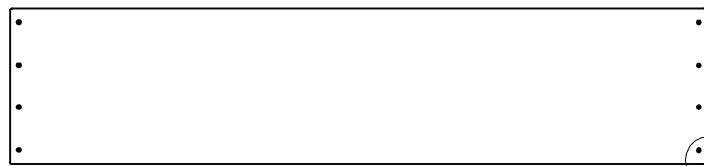


LOCATE ACOUSTIC WAVE BAFFLE ACCORDING TO ARCHITECT'S PLANS. ATTACH BAFFLE TO GYPSUM CEILING UTILIZING 3/16" DIA. X 4" LONG TOGGLE BOLTS AND FENDER WASHERS (SUPPLIED BY OTHERS) THROUGH GROMMETS PROVIDED IN BAFFLE.

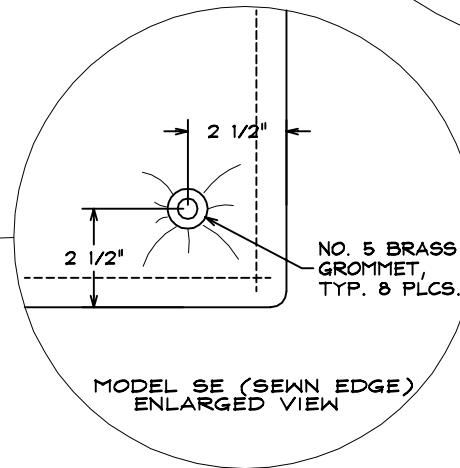
-ON A 30' LONG WAVE BAFFLE, ALLOW A MINIMUM OF 24" DROP AT CENTER OF BAFFLE. CONTACT FACTORY FOR OTHER MOUNTING RECOMMENDATIONS.



ENLARGED VIEW



TYPICAL ACOUSTIC WAVE BAFFLE, TOP VIEW
MODEL SE



MODEL SE (SEWN EDGE)
ENLARGED VIEW