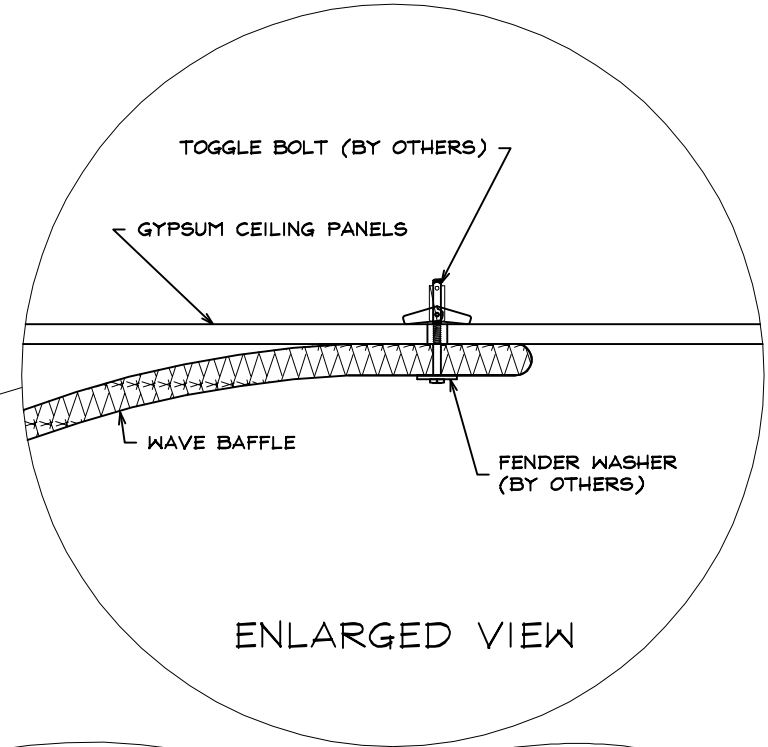
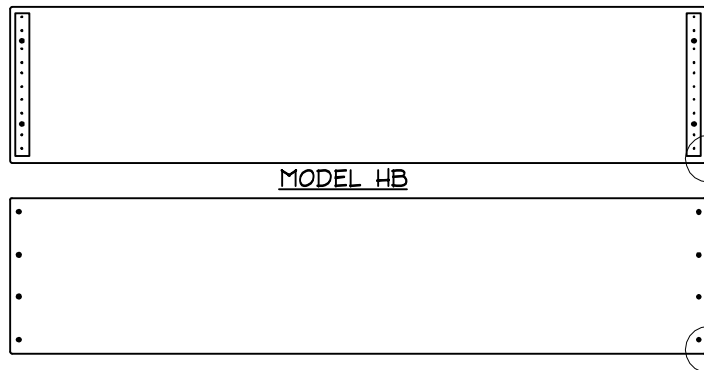


LOCATE ACOUSTIC WAVE BAFFLE ACCORDING TO ARCHITECT'S PLANS. ATTACH BAFFLE TO GYPSUM CEILING UTILIZING 3/16" DIA. X 4" LONG TOGGLE BOLTS AND FENDER WASHERS (SUPPLIED BY OTHERS) THROUGH GROMMETS PROVIDED IN BAFFLE.

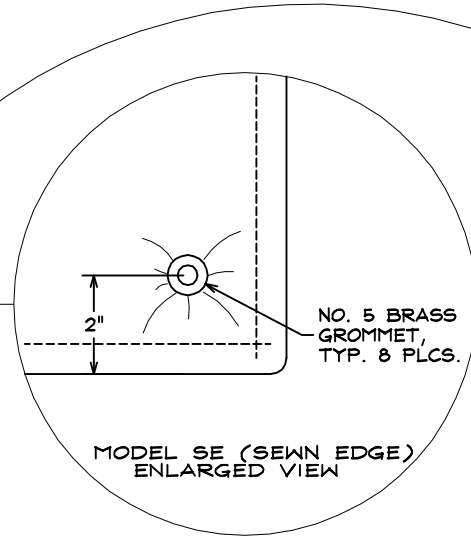
-ON A 30' LONG WAVE BAFFLE, ALLOW A MINIMUM OF 24" DROP AT CENTER OF BAFFLE. CONTACT FACTORY FOR OTHER MOUNTING RECOMMENDATIONS.



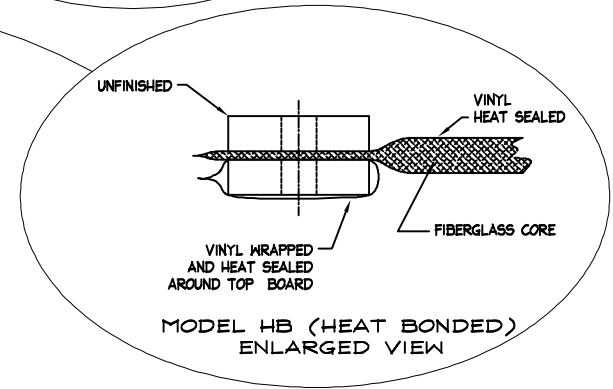
ENLARGED VIEW



TYPICAL ACOUSTIC WAVE BAFFLE, TOP VIEW  
MODEL HB  
MODEL SE



MODEL SE (SEWN EDGE)  
ENLARGED VIEW



MODEL HB (HEAT BONDED)  
ENLARGED VIEW



TITLE  
INSTALLATION:  
WAVE BAFFLE  
GYPSUM / PLASTER CEILINGS

LAST DATE  
REVISED  
4/27/09

DRAWN BY  
JAA

DRAWING NO.  
INSTAL36.DWG  
T-DWG