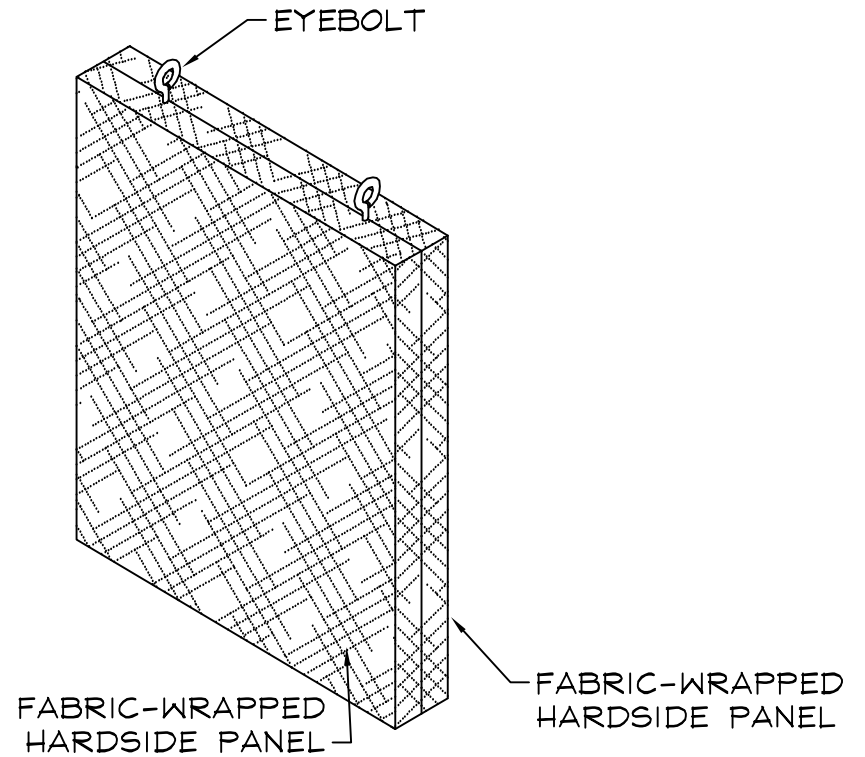
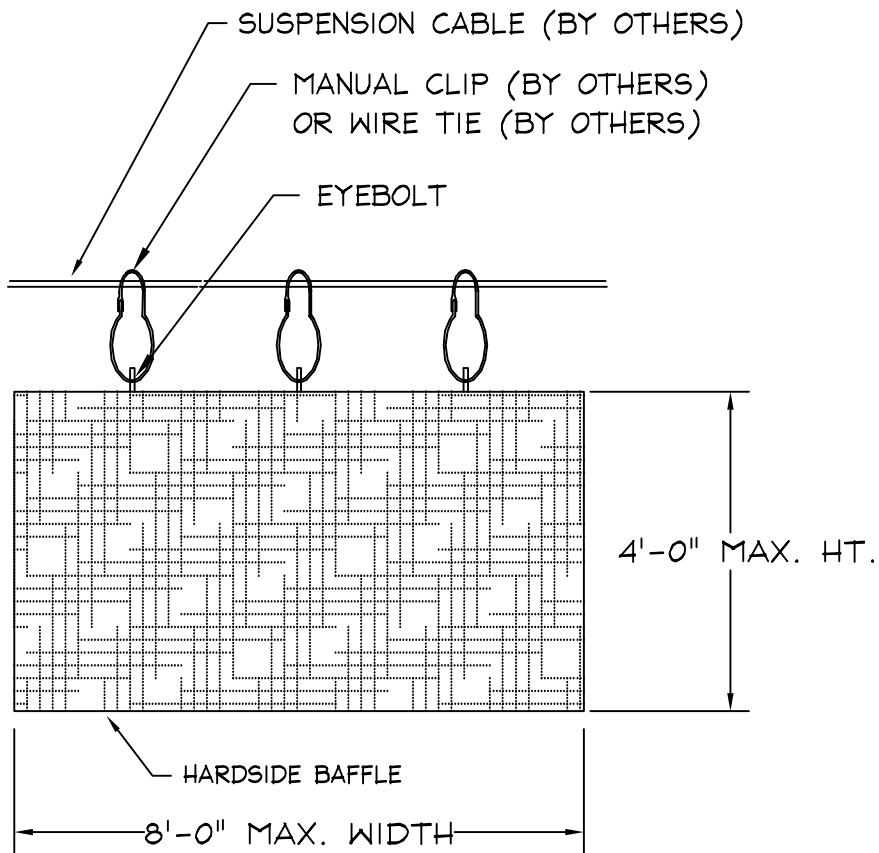


SUGGESTED METHOD OF ATTACHMENT TO STRUCTURE



HARDSIDE BAFFLE DETAIL



TITLE INSTALLATION INSTRUCTIONS
HARDSIDE BAFFLE

LAST DATE
REVISED

8/12/03

DRAWN BY

DRAWING NO.

INSTAL34

T-DWG