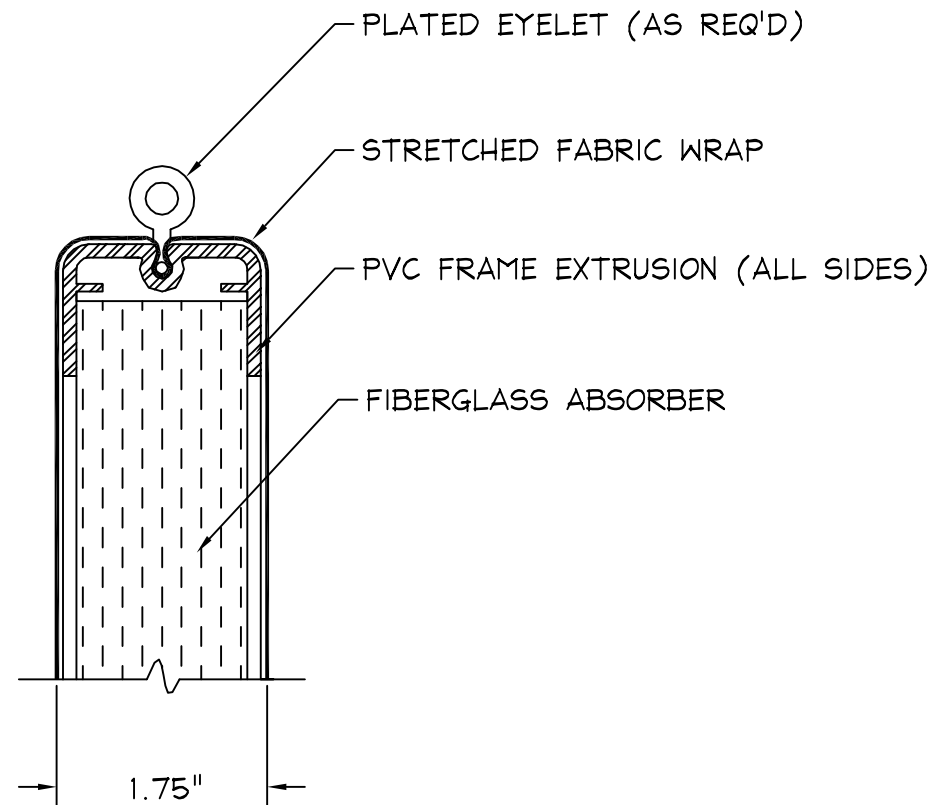
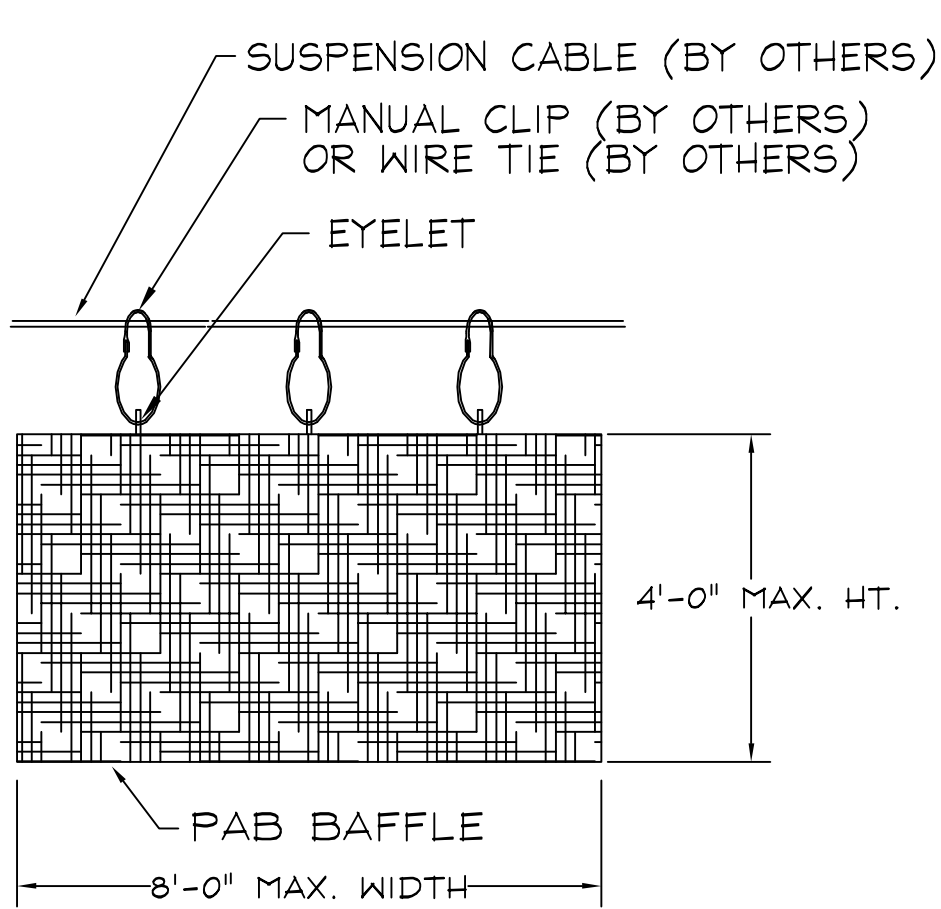


SUGGESTED METHOD OF ATTACHMENT TO STRUCTURE



PAB BAFFLE SECTION



TITLE INSTALLATION INSTRUCTIONS
MODEL PAB BAFFLE

LAST DATE REVISED
4/23/09

DRAWN BY

DRAWING NO. INSTAL33 T-DWG