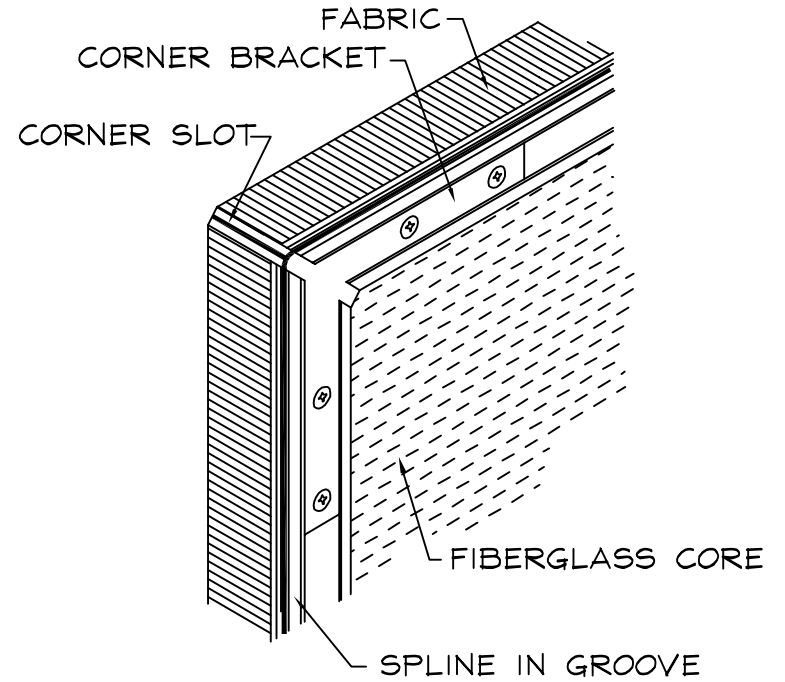
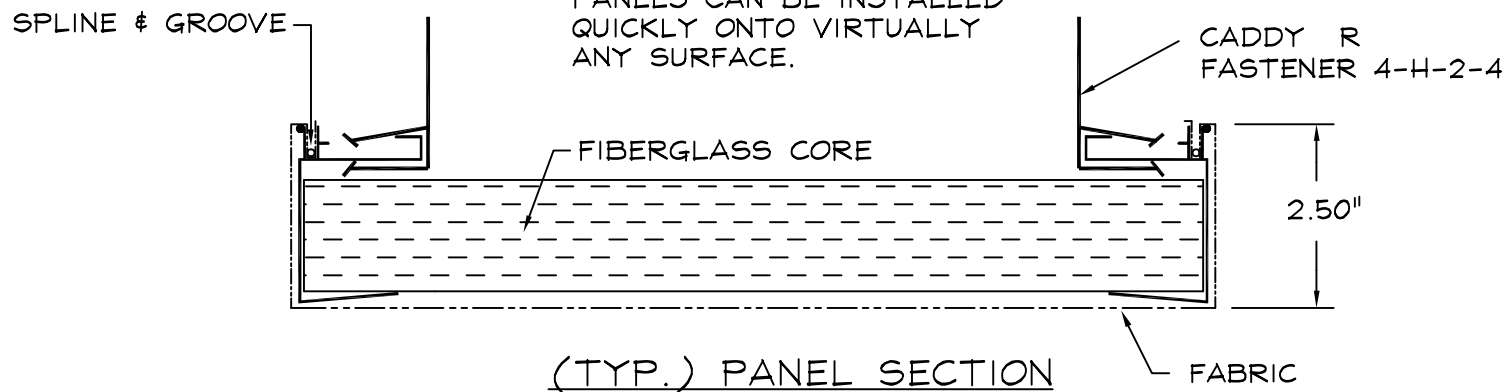


TAP ON - MAKE SURE CLIP IS AT RIGHT ANGLE TO PANEL



(TYP.) PANEL CORNER

NOTE:  
 KINETICS CLOUD PANELS ARE EASILY HUNG BY USING SUSPENSION BRACKETS. PANELS CAN BE INSTALLED QUICKLY ONTO VIRTUALLY ANY SURFACE.



(TYP.) PANEL SECTION

T-DWG



INSTALLATION  
 APPLIQUE CLOUD PANEL

LAST DATE  
 REVISED  
 8/11/03

DRAWING NO.  
 INSTAL29