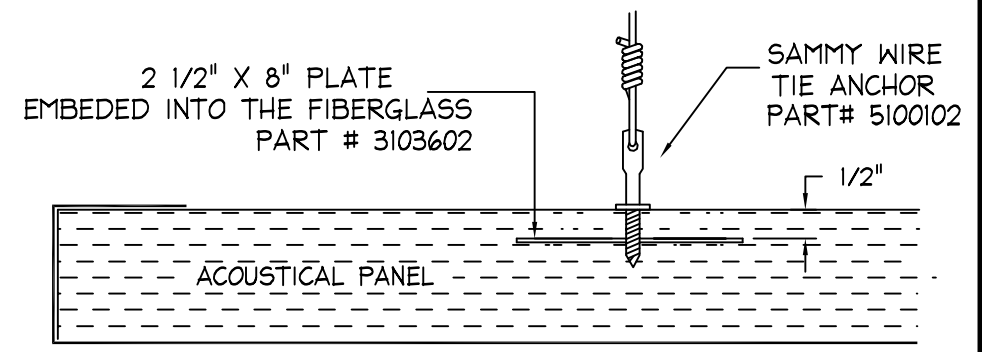
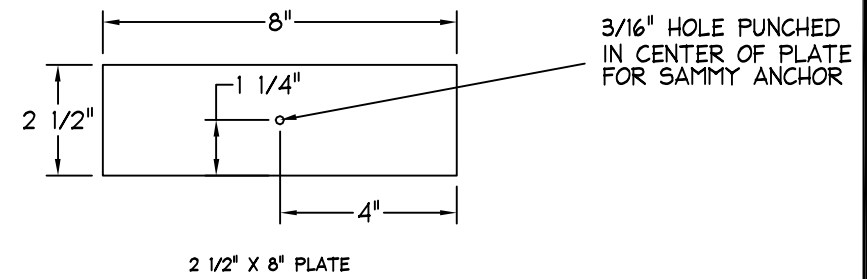
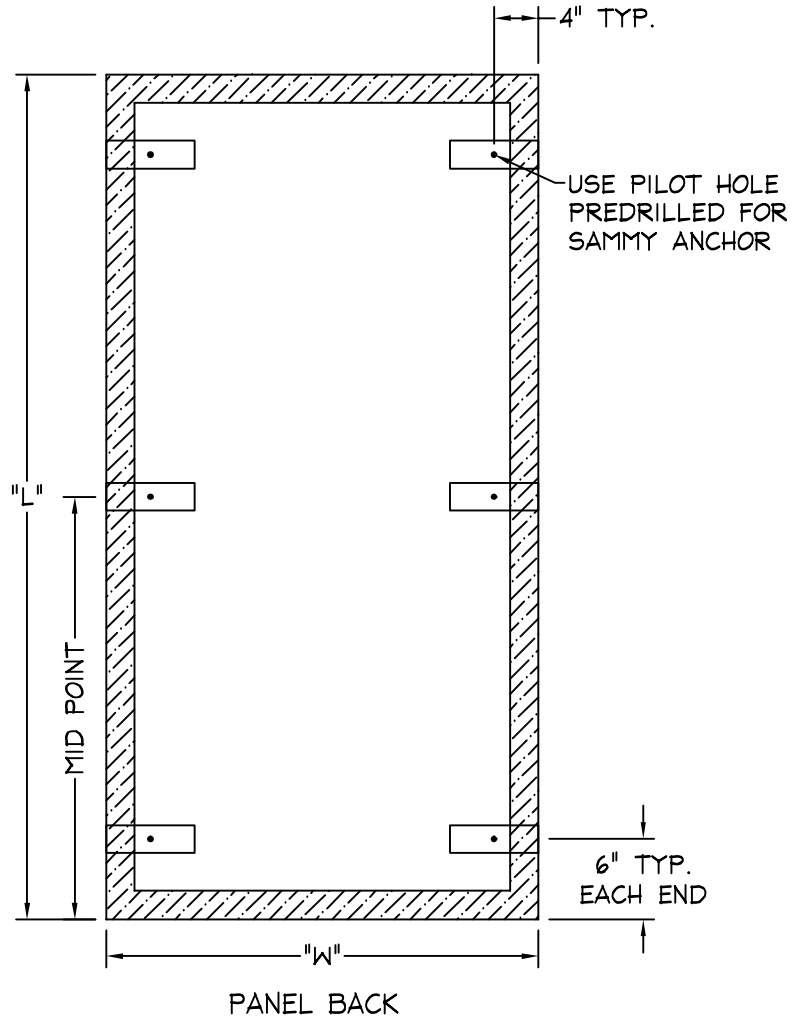


NOTES:

ALL SUPPORT LOCATIONS MUST BE USED TO HANG PANEL
 SAMMY ANCHORS AND DRIVER TOOL SUPPLIED BY KINETICS
 PANELS OVER 4' REQUIRE (6) PLATES
 PANELS 4' AND UNDER REQUIRE (4) PLATES



NUMBER OF PLATES DETERMINED BY PANEL SIZE



TITLE 1 1/2" HARDSIDE CLOUD PLATE LAYOUT

LAST DATE REVISED 4/23/09

DRAWN BY JAA

DRAWING NO. INSTAL28B T-DWG